

PART NAME: KNOB

SCALE: 1:1

DATE: 3/18/94

DR. BY HD


 DESIGNERS & MANUFACTURERS  
 OF KNOBS, HANDLES, CASES &  
 CUSTOM PLASTIC COMPONENTS

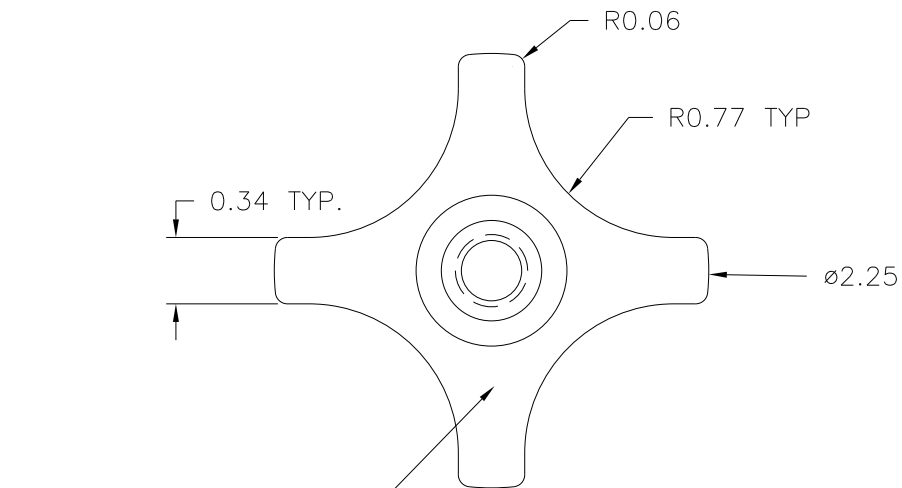
P/N 2837-H

 THIS DRAWING IS THE PROPERTY OF DAVIES MOLDING COMPANY. IS SUBMITTED SOLELY AS A DESIGN OR ENGINEERING PROJECT.  
 WE ACCEPT NO RESPONSIBILITY WHATSOEVER FOR THE PRACTICAL APPLICATION OF THE PIECES MADE TO THIS DESIGN.

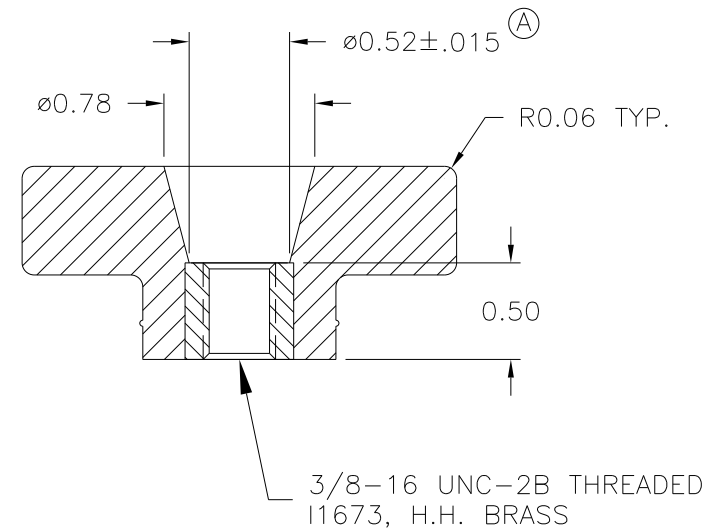
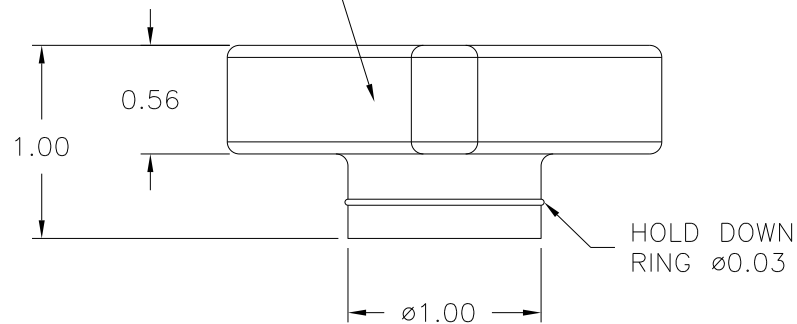
DO NOT SCALE DRAWING

M<sup>NO.</sup> 73

CAVITY	2837
CAVITY PLUG	2837-F
CORE	2837
SLEEVE	M-2837
PIN	2837-B
SHIM	0.015
INSERT	I1673



TEXTURED OUTSIDE SURFACES (UT-1090)


 MATERIAL: POLYPROPYLENE (CLD) ©  
 COLOR: BLACK

TOLERANCES: UNLESS OTHERWISE SPECIFIED	DO NOT SCALE DRAWING	C	ADDED MAT. CODE	DS	1/26/07
		B	ADDED SHIM	TS	3/20/03
DECIMALS: X.XXX ± .005 X.XX ± .015	MM: X.XX ± 0.15MM X.X ± 0.4MM	-	REDRAWN	TL	11/22/99
		A	WAS 0.50	HD	1/13/98
FRACTIONS ± 1/64	ANG. ± 1°	CHANGES			