

PLC-SC-EIK 1-SVN 24P/P - Solid-state relay module



2982663

<https://www.phoenixcontact.com/us/products/2982663>

Please be informed that the data shown in this PDF document is generated from our online catalog. Please find the complete data in the user documentation. Our general terms of use for downloads are valid.



PLC-INTERFACE for NAMUR applications, consisting of PLC-BSC.../21 basic terminal block with screw connection and integrated circuit, for mounting on NS 35/7,5 DIN rail, positive switching output, 24 V DC supply voltage

Your advantages

- Connection option for PLC-V8 adapter
- Stabilized supply voltage for the NAMUR proximity switch
- 24 V/50 mA digital output for directly connecting programmable logic controllers

Commercial data

| | |
|--------------------------------------|---------------------|
| Item number | 2982663 |
| Packing unit | 1 pc |
| Minimum order quantity | 1 pc |
| Sales key | C461 |
| Product key | CK6215 |
| Catalog page | Page 422 (C-5-2019) |
| GTIN | 4046356147330 |
| Weight per piece (including packing) | 37.437 g |
| Weight per piece (excluding packing) | 35.54 g |
| Customs tariff number | 85364190 |
| Country of origin | DE |

Technical data

Product properties

| | |
|----------------|--------------------------|
| Product type | Solid-state relay module |
| Product family | PLC-INTERFACE |
| Application | NAMUR proximity sensors |
| Operating mode | 100% operating factor |

Insulation characteristics

| | |
|------------|------------------|
| Insulation | Basic insulation |
|------------|------------------|

Insulation characteristics: Air clearances and creepage distances

| | |
|----------------------|------------------|
| Insulation | Basic insulation |
| Overvoltage category | I |
| Pollution degree | 2 |

Electrical properties

| | |
|---|--------|
| Maximum power dissipation for nominal condition | 0.34 W |
|---|--------|

Air clearances and creepage distances

| | |
|--------------------------|---------|
| Rated insulation voltage | 50 V DC |
| Rated surge voltage | 0.4 kV |

Input data

Control circuit

| | |
|-----------------------------|--|
| Nominal input voltage U_N | 8.2 V DC $\pm 10\%$ |
| Protective circuit | Surge protection; Suppressor diode |
| Non-load voltage | 8.2 V DC $\pm 10\%$ |
| Switching point | ≥ 2.1 mA (In conductive state) |
| | ≤ 1.2 mA (In blocking state) |
| | 6.3 mA ... 10 mA (in the event of a short-circuit) |
| | 0 mA ... 0.35 mA (In the event of a wire break) |
| Switching hysteresis | approx. 0.2 mA |
| Internal resistance | approx. 1 k Ω |
| Cable length | < 30 m |

Output data

| | |
|-----------------------------|---------------------------------------|
| Designation | Signal output |
| Contact switching type | 1 N/O contact |
| Design of digital output | electronic |
| Output nominal voltage | ≤ 100 mV (In conductive state) |
| | $U_{VN} - U_{Ri}$; in blocking state |
| Limiting continuous current | 50 mA |
| Transmission frequency | approx. 350 Hz |

PLC-SC-EIK 1-SVN 24P/P - Solid-state relay module



2982663

<https://www.phoenixcontact.com/us/products/2982663>

| | |
|--|------------------------------------|
| Voltage drop at max. limiting continuous current | $\leq 1.5 \text{ V (U}_R)$ |
| Status display | Green LED |
| Error indication | Red LED |
| Protective circuit | Surge protection; Suppressor diode |
| Designation | Alarm output |
| Output nominal voltage | $U_{VN} - U_{Res}$ |
| Limiting continuous current | 50 mA |
| Voltage drop at max. limiting continuous current | $\leq 2 \text{ V (U}_{Rest})$ |
| Error indication | Red LED |
| Protective circuit | Surge protection; Suppressor diode |

Connection data

| | |
|----------------------------------|---|
| Connection method | Screw connection |
| Stripping length | 8 mm |
| Screw thread | M3 |
| Conductor cross section rigid | 0.14 mm ² ... 2.5 mm ² |
| Conductor cross section flexible | 0.14 mm ² ... 2.5 mm ² 0.2 mm ² ... 2.5 mm ² (Single ferrule) 2x 0.5 mm ² ... 1.5 mm ² (TWIN ferrule) |
| Conductor cross section AWG | 26 ... 14 |
| Tightening torque | 0.45 Nm ... 0.55 Nm () |

Dimensions

| | |
|--------|--------|
| Width | 6.2 mm |
| Height | 80 mm |
| Depth | 86 mm |

Material specifications

| | |
|--|--------------|
| Flammability rating according to UL 94 | V0 (Housing) |
|--|--------------|

Environmental and real-life conditions

Ambient conditions

| | |
|---|------------------|
| Degree of protection | IP20 |
| Ambient temperature (operation) | -25 °C ... 50 °C |
| Ambient temperature (storage/transport) | -40 °C ... 85 °C |

Approvals

CE

| | |
|-------------|--------------|
| Certificate | CE-compliant |
|-------------|--------------|

Corrosive gas test

| | |
|----------------|---|
| Identification | ISA-S71.04. G3 Harsh Group EN 60068-2-60 |
|----------------|---|

PLC-SC-EIK 1-SVN 24P/P - Solid-state relay module



2982663

<https://www.phoenixcontact.com/us/products/2982663>

EMC data

| | |
|-------------------------------|--------------------------------|
| Electromagnetic compatibility | Conformance with EMC directive |
|-------------------------------|--------------------------------|

Standards and regulations

Air clearances and creepage distances

| | |
|-----------------------|---------------|
| Standards/regulations | IEC 60947-5-1 |
|-----------------------|---------------|

Mounting

| | |
|-----------------------|---------------------------|
| Mounting type | DIN rail mounting |
| Assembly instructions | in rows with zero spacing |
| Mounting position | any |

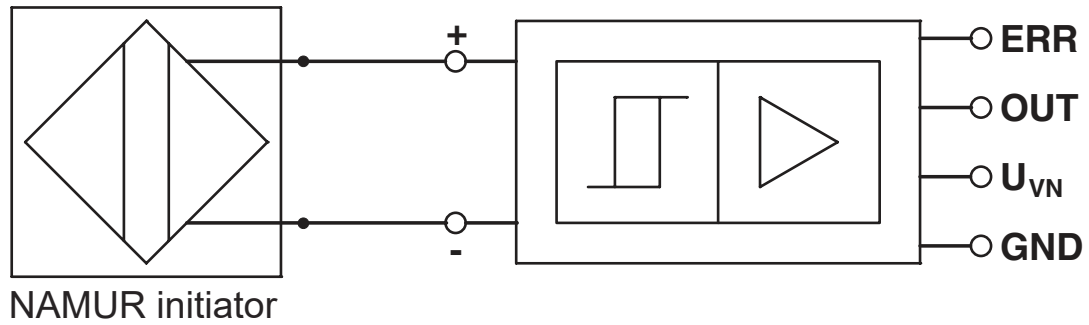
PLC-SC-EIK 1-SVN 24P/P - Solid-state relay module

2982663

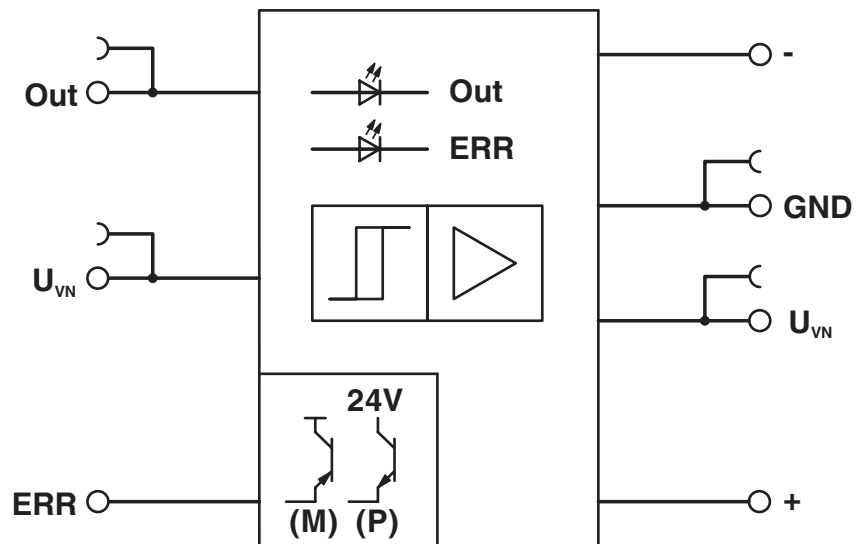
<https://www.phoenixcontact.com/us/products/2982663>

Drawings

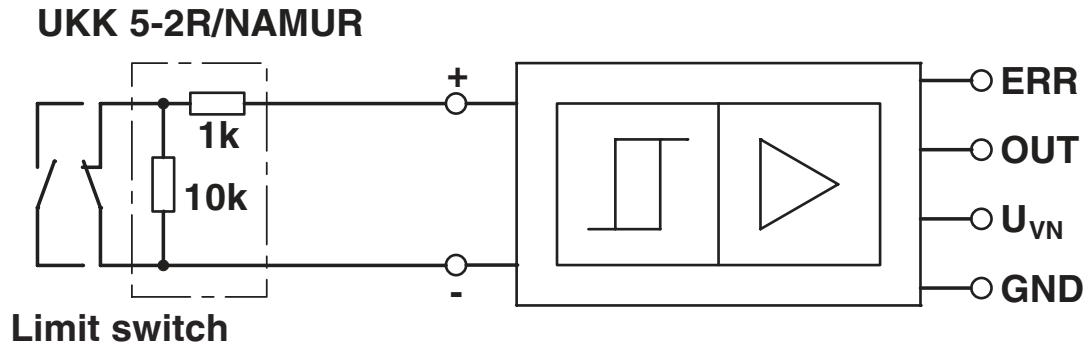
Application drawing



Circuit diagram



Application drawing



PLC-SC-EIK 1-SVN 24P/P - Solid-state relay module



2982663

<https://www.phoenixcontact.com/us/products/2982663>

Approvals

To download certificates, visit the product detail page: <https://www.phoenixcontact.com/us/products/2982663>



EAC

Approval ID: TR_TS_D_00573_c



UL Listed

Approval ID: FILE E 172140



cUL Listed

Approval ID: FILE E 172140

cULus Listed

PLC-SC-EIK 1-SVN 24P/P - Solid-state relay module



2982663

<https://www.phoenixcontact.com/us/products/2982663>

Classifications

ECLASS

| | |
|-------------|----------|
| ECLASS-11.0 | 27371604 |
| ECLASS-12.0 | 27371604 |
| ECLASS-13.0 | 27371604 |

ETIM

| | |
|----------|----------|
| ETIM 8.0 | EC001504 |
|----------|----------|

UNSPSC

| | |
|-------------|----------|
| UNSPSC 21.0 | 39122300 |
|-------------|----------|

PLC-SC-EIK 1-SVN 24P/P - Solid-state relay module



2982663

<https://www.phoenixcontact.com/us/products/2982663>

Environmental product compliance

| | |
|------------|--|
| REACH SVHC | Lead 7439-92-1 |
| China RoHS | Environmentally Friendly Use Period = 50 years |
| | For information on hazardous substances, refer to the manufacturer's declaration available under "Downloads" |

PLC-SC-EIK 1-SVN 24P/P - Solid-state relay module



2982663

<https://www.phoenixcontact.com/us/products/2982663>

Accessories

i Note: Applying some accessories below might limit this product.

FBST 500-PLC RD - Continuous plug-in bridge

2966786

<https://www.phoenixcontact.com/us/products/2966786>



Continuous plug-in bridge, length: 500 mm, color: red

i Max. current carrying capacity: 32 A

FBST 500-PLC BU - Continuous plug-in bridge

2966692

<https://www.phoenixcontact.com/us/products/2966692>



Continuous plug-in bridge, length: 500 mm, color: blue

i Max. current carrying capacity: 32 A

PLC-SC-EIK 1-SVN 24P/P - Solid-state relay module

2982663

<https://www.phoenixcontact.com/us/products/2982663>



FBST 500-PLC GY - Continuous plug-in bridge

2966838

<https://www.phoenixcontact.com/us/products/2966838>



Continuous plug-in bridge, length: 500 mm, color: gray

 Max. current carrying capacity: 32 A

FBST 6-PLC RD - Single plug-in bridge

2966236

<https://www.phoenixcontact.com/us/products/2966236>



Single plug-in bridge, number of positions: 2, length: 6 mm, color: red

 Max. current carrying capacity: 6 A

PLC-SC-EIK 1-SVN 24P/P - Solid-state relay module



2982663

<https://www.phoenixcontact.com/us/products/2982663>


FBST 6-PLC BU - Single plug-in bridge

2966812

<https://www.phoenixcontact.com/us/products/2966812>

Single plug-in bridge, number of positions: 2, length: 6 mm, color: blue



 Max. current carrying capacity: 6 A


FBST 6-PLC GY - Single plug-in bridge

2966825

<https://www.phoenixcontact.com/us/products/2966825>

Single plug-in bridge, number of positions: 2, length: 6 mm, color: gray



 Max. current carrying capacity: 6 A

PLC-SC-EIK 1-SVN 24P/P - Solid-state relay module

2982663

<https://www.phoenixcontact.com/us/products/2982663>



FBST 8-PLC GY - Single plug-in bridge

2967688

<https://www.phoenixcontact.com/us/products/2967688>

Single plug-in bridge, number of positions: 2, length: 8 mm, color: gray



 Max. current carrying capacity: 6 A

PLC-V8/FLK14/IN - System connection

2296553

<https://www.phoenixcontact.com/us/products/2296553>



V8 adapter for 8 x PLC-INTERFACE (6.2 mm), controller: PLC system cabling of input cards, connection 1: IDC/FLK pin strip 1x 14-position, connection 2: Plug-in connection (Can be snapped onto 8x PLC-INTERFACE terminals), connection 3: Screw connection 1x 2-position, number of channels: 8, control logic: plusschaltend

PLC-SC-EIK 1-SVN 24P/P - Solid-state relay module



2982663

<https://www.phoenixcontact.com/us/products/2982663>

PLC-V8/FLK14/IN/M - System connection

2304115

<https://www.phoenixcontact.com/us/products/2304115>



V8 adapter for 8 x PLC-INTERFACE (6.2 mm), controller: PLC system cabling of input cards, connection 1: IDC/FLK pin strip 1x 14-position, connection 2: Plug-in connection (Can be snapped onto 8x PLC-INTERFACE terminals), connection 3: Screw connection 1x 2-position, number of channels: 8, control logic: minusschaltend

PLC-V8/D15S/IN - System connection

2296074

<https://www.phoenixcontact.com/us/products/2296074>



V8 adapter for 8 x PLC-INTERFACE (6.2 mm), controller: PLC system cabling of input cards, connection 1: D-SUB pin strip 1x 15-position, connection 2: Plug-in connection (Can be snapped onto 8x PLC-INTERFACE terminals), connection 3: Screw connection 1x 2-position, number of channels: 8, control logic: plusschaltend

PLC-SC-EIK 1-SVN 24P/P - Solid-state relay module



2982663

<https://www.phoenixcontact.com/us/products/2982663>

PLC-V8/D15B/IN - System connection

2296087

<https://www.phoenixcontact.com/us/products/2296087>



V8 adapter for 8 x PLC-INTERFACE (6.2 mm), controller: PLC system cabling of input cards, connection 1: D-SUB socket strip 1x 15-position, connection 2: Plug-in connection (Can be snapped onto 8x PLC-INTERFACE terminals), connection 3: Screw connection 1x 2-position, number of channels: 8, control logic: plusschaltend

NS 35/ 7,5 PERF 2000MM - DIN rail perforated

0801733

<https://www.phoenixcontact.com/us/products/0801733>



DIN rail perforated, acc. to EN 60715, material: Steel, galvanized, passivated with a thick layer, Standard profile, color: silver, Pack of 25 (50 m)

PLC-SC-EIK 1-SVN 24P/P - Solid-state relay module



2982663

<https://www.phoenixcontact.com/us/products/2982663>

NS 35/ 7,5 UNPERF 2000MM - DIN rail, unperforated

0801681

<https://www.phoenixcontact.com/us/products/0801681>



DIN rail, unperforated, acc. to EN 60715, material: Steel, galvanized, passivated with a thick layer, Standard profile, color: silver, Pack of 25 (50 m)

NS 35/ 7,5 WH PERF 2000MM - DIN rail perforated

1204119

<https://www.phoenixcontact.com/us/products/1204119>



DIN rail perforated, acc. to EN 60715, material: Steel, Galvanized, white passivated, Standard profile, color: silver, Pack of 25 (50 m)

PLC-SC-EIK 1-SVN 24P/P - Solid-state relay module



2982663

<https://www.phoenixcontact.com/us/products/2982663>

NS 35/ 7,5 WH UNPERF 2000MM-VPE 10 - DIN rail, unperforated

1204122

<https://www.phoenixcontact.com/us/products/1204122>



DIN rail, unperforated, acc. to EN 60715, material: Steel, Galvanized, white passivated, Standard profile, color: silver, Pack of 10 (20 m)

NS 35/ 7,5 AL UNPERF 2000MM - DIN rail, unperforated

0801704

<https://www.phoenixcontact.com/us/products/0801704>



DIN rail, unperforated, acc. to EN 60715, material: Aluminum, uncoated, Standard profile, color: silver, Pack of 25 (50 m)

PLC-SC-EIK 1-SVN 24P/P - Solid-state relay module



2982663

<https://www.phoenixcontact.com/us/products/2982663>

NS 35/ 7,5 ZN PERF 2000MM - DIN rail perforated

1206421

<https://www.phoenixcontact.com/us/products/1206421>



DIN rail perforated, acc. to EN 60715, material: Steel, galvanized, Standard profile, color: silver, Pack of 25 (50 m)

NS 35/ 7,5 ZN UNPERF 2000MM - DIN rail, unperforated

1206434

<https://www.phoenixcontact.com/us/products/1206434>



DIN rail, unperforated, acc. to EN 60715, material: Steel, galvanized, Standard profile, color: silver, Pack of 25 (50 m)

PLC-SC-EIK 1-SVN 24P/P - Solid-state relay module



2982663

<https://www.phoenixcontact.com/us/products/2982663>

NS 35/ 7,5 CU UNPERF 2000MM-VPE 10 - DIN rail, unperforated

0801762

<https://www.phoenixcontact.com/us/products/0801762>



DIN rail, unperforated, acc. to EN 60715, material: Copper, uncoated, Standard profile, color: copper-colored, Pack of 10 (20 m)

NS 35/ 7,5 CAP - End cap

1206560

<https://www.phoenixcontact.com/us/products/1206560>

DIN rail end piece, for DIN rail NS 35/7.5



PLC-SC-EIK 1-SVN 24P/P - Solid-state relay module



2982663

<https://www.phoenixcontact.com/us/products/2982663>

NS 35/15 PERF 2000MM - DIN rail perforated

1201730

<https://www.phoenixcontact.com/us/products/1201730>



DIN rail perforated, similar to EN 60715, material: Steel, galvanized, passivated with a thick layer, Standard profile, color: silver, Pack of 25 (50 m)

NS 35/15 UNPERF 2000MM - DIN rail, unperforated

1201714

<https://www.phoenixcontact.com/us/products/1201714>



DIN rail, unperforated, similar to EN 60715, material: Steel, galvanized, passivated with a thick layer, Standard profile, color: silver, Pack of 25 (50 m)

PLC-SC-EIK 1-SVN 24P/P - Solid-state relay module



2982663

<https://www.phoenixcontact.com/us/products/2982663>

NS 35/15 WH PERF 2000MM - DIN rail perforated

0806602

<https://www.phoenixcontact.com/us/products/0806602>



DIN rail perforated, similar to EN 60715, material: Steel, Galvanized, white passivated, Standard profile, color: white, Pack of 25 (50 m)

NS 35/15 WH UNPERF 2000MM-VPE 10 - DIN rail, unperforated

1204135

<https://www.phoenixcontact.com/us/products/1204135>



DIN rail, unperforated, similar to EN 60715, material: Steel, Galvanized, white passivated, Standard profile, color: silver, Pack of 10 (20 m)

PLC-SC-EIK 1-SVN 24P/P - Solid-state relay module



2982663

<https://www.phoenixcontact.com/us/products/2982663>

NS 35/15 AL UNPERF 2000MM - DIN rail, unperforated

1201756

<https://www.phoenixcontact.com/us/products/1201756>



DIN rail, unperforated, similar to EN 60715, material: Aluminum, uncoated, Standard profile, color: silver

NS 35/15 ZN PERF 2000MM - DIN rail perforated

1206599

<https://www.phoenixcontact.com/us/products/1206599>



DIN rail perforated, similar to EN 60715, material: Steel, galvanized, Standard profile, color: silver, Pack of 25 (50 m)

PLC-SC-EIK 1-SVN 24P/P - Solid-state relay module



2982663

<https://www.phoenixcontact.com/us/products/2982663>

NS 35/15 ZN UNPERF 2000MM - DIN rail, unperforated

1206586

<https://www.phoenixcontact.com/us/products/1206586>



DIN rail, unperforated, similar to EN 60715, material: Steel, galvanized, Standard profile, color: silver, Pack of 25 (50 m)

NS 35/15 CU UNPERF 2000MM-VPE 10 - DIN rail, unperforated

1201895

<https://www.phoenixcontact.com/us/products/1201895>



DIN rail, unperforated, similar to EN 60715, material: Copper, uncoated, Standard profile, color: copper-colored, Pack of 10 (20 m)

PLC-SC-EIK 1-SVN 24P/P - Solid-state relay module



2982663

<https://www.phoenixcontact.com/us/products/2982663>

NS 35/15 CAP - End cap

1206573

<https://www.phoenixcontact.com/us/products/1206573>

DIN rail end piece, for DIN rail NS 35/15



NS 35/15-2,3 UNPERF 2000MM-VPE 10 - DIN rail, unperforated

1201798

<https://www.phoenixcontact.com/us/products/1201798>

DIN rail, unperforated, acc. to EN 60715, material: Steel, galvanized, passivated with a thick layer, Standard profile 2.3 mm, color: silver, Pack of 10 (20 m)



PLC-SC-EIK 1-SVN 24P/P - Solid-state relay module



2982663

<https://www.phoenixcontact.com/us/products/2982663>

PLC-ATP BK - Separating plate

2966841

<https://www.phoenixcontact.com/us/products/2966841>



Separating plate, 2 mm thick, required at the start and end of a PLC terminal strip. Furthermore, it is used for: visual separation of groups, safe isolation of different voltages of neighboring PLC relays in acc. with DIN VDE 0106-101, isolation

PLC-ESK GY - Power terminal block

2966508

<https://www.phoenixcontact.com/us/products/2966508>



Power terminal block, for the input of up to four potentials, for mounting on NS 35/7.5

PLC-SC-EIK 1-SVN 24P/P - Solid-state relay module



2982663

<https://www.phoenixcontact.com/us/products/2982663>

SZF 1-0,6X3,5 - Screwdriver

1204517

<https://www.phoenixcontact.com/us/products/1204517>



Actuation tool, for ST terminal blocks, also suitable for use as a bladed screwdriver, size: 0.6 x 3.5 x 100 mm, 2-component grip, with non-slip grip

Phoenix Contact 2023 © - all rights reserved

<https://www.phoenixcontact.com>

Phoenix Contact USA
586 Fulling Mill Road
Middletown, PA 17057, United States
(+717) 944-1300
info@phoenixcon.com