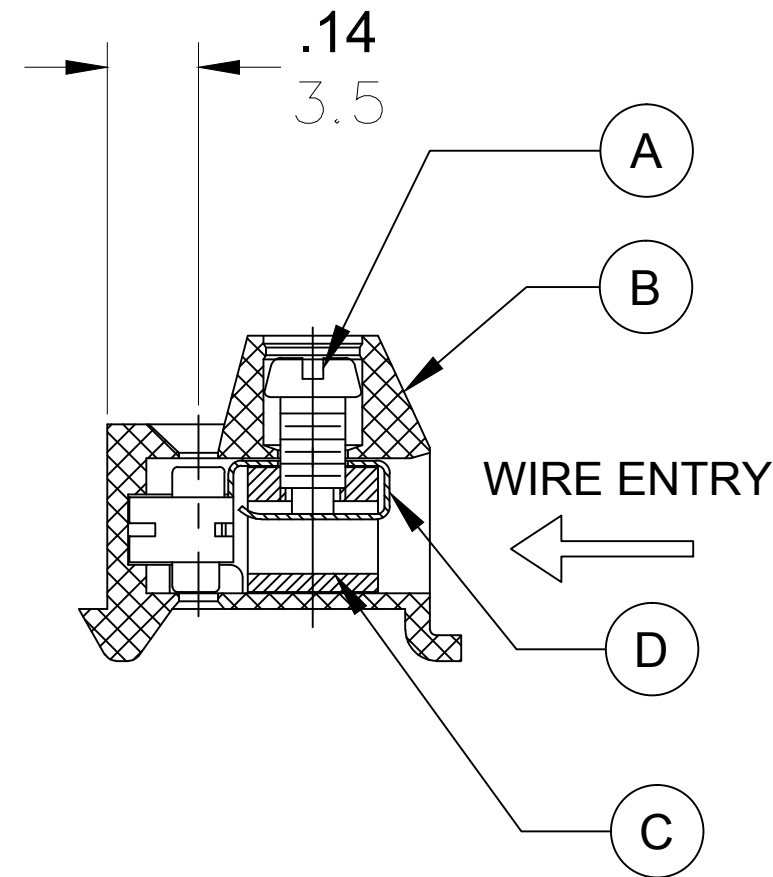
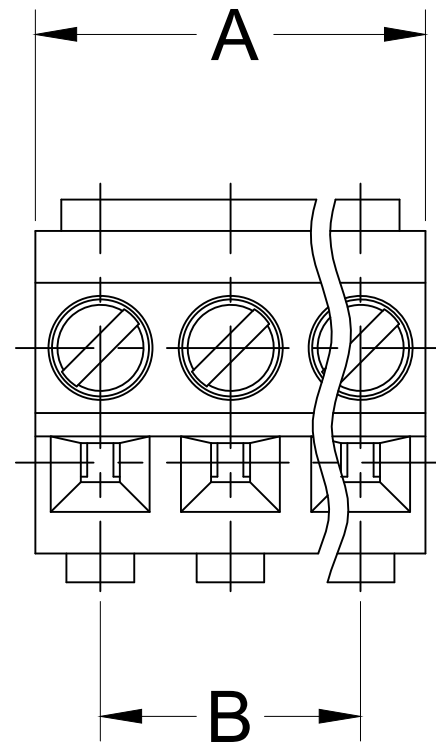
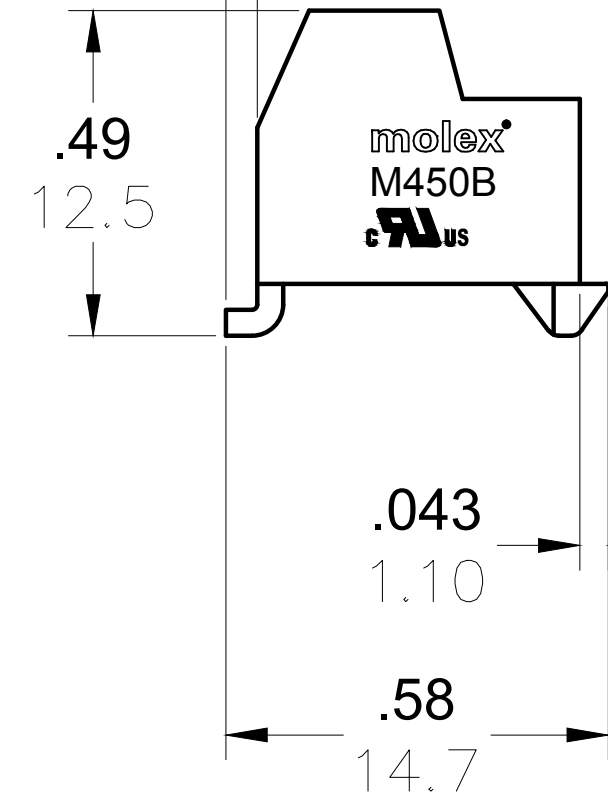


### PART NUMBER DATA

CIRCUITS	PART NUMBER	ENGINEERING NUMBER	COLOR	A IN mm		B IN mm	
2	397540002	M450B-01-1-02-3	GREEN	.39	10.0	.197	5.00
3	397540003	M450B-01-1-03-3	GREEN	.59	15.0	.394	10.00
4	397540004	M450B-01-1-04-3	GREEN	.79	20.0	.591	15.00
5	397540005	M450B-01-1-05-3	GREEN	.98	25.0	.787	20.00
6	397540006	M450B-01-1-06-3	GREEN	1.18	30.0	.984	25.00
7	397540007	M450B-01-1-07-3	GREEN	1.38	35.0	1.181	30.00
8	397540008	M450B-01-1-08-3	GREEN	1.57	40.0	1.378	35.00
9	397540009	M450B-01-1-09-3	GREEN	1.77	45.0	1.575	40.00
10	397540010	M450B-01-1-10-3	GREEN	1.97	50.0	1.772	45.00
11	397540011	M450B-01-1-11-3	GREEN	2.17	55.0	1.969	50.00
12	397540012	M450B-01-1-12-3	GREEN	2.36	60.0	2.165	55.00
13		M450B-01-1-13-3	GREEN	2.56	65.0	2.362	60.00
14		M450B-01-1-14-3	GREEN	2.76	70.0	2.559	65.00
15		M450B-01-1-15-3	GREEN	2.95	75.0	2.756	70.00
16		M450B-01-1-16-3	GREEN	3.15	80.0	2.953	75.00
17		M450B-01-1-17-3	GREEN	3.35	85.0	3.150	80.00
18		M450B-01-1-18-3	GREEN	3.54	90.0	3.346	85.00
19		M450B-01-1-19-3	GREEN	3.74	95.0	3.543	90.00
20		M450B-01-1-20-3	GREEN	3.94	100.0	3.740	95.00
21		M450B-01-1-21-3	GREEN	4.13	105.0	3.937	100.00
22		M450B-01-1-22-3	GREEN	4.33	110.0	4.134	105.00
23		M450B-01-1-23-3	GREEN	4.53	115.0	4.331	110.00
24		M450B-01-1-24-3	GREEN	4.72	120.0	4.528	115.00



.047  
1.20



### SPECIFICATIONS

#### 1. MATERIAL:

- A. SCREW: M2.5, STEEL. ZINC PLATED
- B. BODY: PA66, UL94 V-0
- C. CAGE: BRASS, NI PLATED
- D. CONTACT: PHOS-BRONZE, TIN PLATED

2. WIRE SIZE: 24 TO 14AWG

3. RATING: 300V, 10A

4. MAX TORQUE: 3IN. LBS.

5. WIRE STRIP LENGTH: .20 (5.0mm)

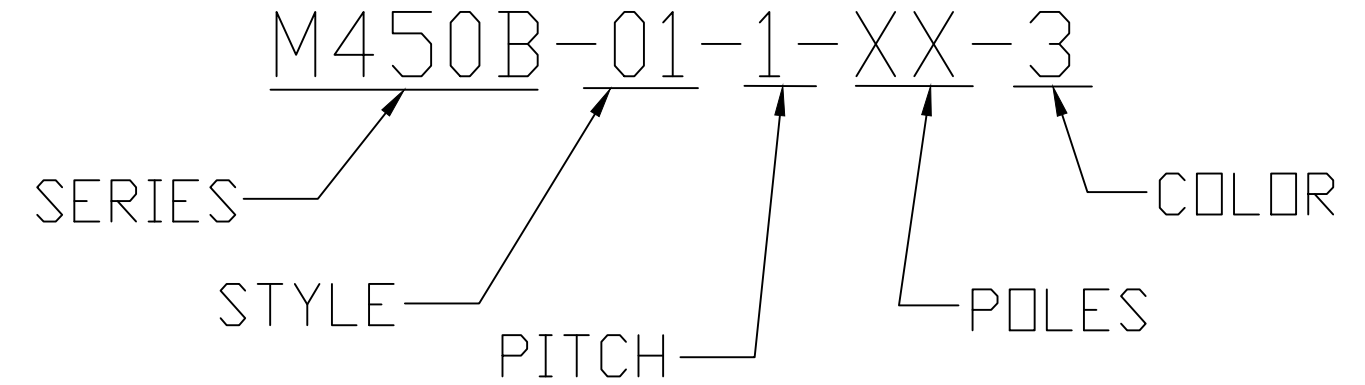
6. OPERATING TEMPERATURE: -40°C TO +105°C.

7. DIMS. SHOWN ARE FOR REFERENCE ONLY

TOLERANCES			
MM	TOL	INCH	TOL
0-6	±0.25	0-.24	±.010
>6-30	±0.40	.24-1.18	±.016
>30-120	±0.50	1.18-4.76	±.020
>120	±0.80	>4.76	±.031

REF. THE LAST 2 DIGITS OF THE PART NUMBER EQUAL CIRCUIT COUNT

### ENGINEERING NUMBER LEGEND



REVISED DOC TOL EC NO.: IFC2017-0881 DRWN: ABENJAMI CHKD: --- APPR: BRUPERT 2014/10/16 REV DESCRIPTION	QUALITY SYMBOL	GENERAL TOLERANCES (UNLESS SPECIFIED)	CONTACT DIMENSION STYLE IN/MM	SCALE	DESIGN UNITS METRIC	THIRD ANGLE PROJECTION	
	▽=0 ▽=0	4 PLACES ±--- ±--- 3 PLACES ±--- ±--- 2 PLACES ±--- ±--- 1 PLACE ±--- ±---	DRAWN BY DATE RSTONE 2014/07/25 CHECKED BY DATE G FARNSW --- APPROVED BY DATE JFMURPHY 2014/10/16	TITLE	TERMINAL PLUG 5.0MM HORIZONTAL, SNAP MT		
	DRAFT WHERE APPLICABLE MUST REMAIN WITHIN DIMENSIONS	MATERIAL NO. SEE CHART	MOLEX INCORPORATED DOCUMENT NO. SD-39754-001	SHEET NO.	1 OF 1		
	A1	SIZE C	THIS DRAWING CONTAINS INFORMATION THAT IS PROPRIETARY TO MOLEX INCORPORATED AND SHOULD NOT BE USED WITHOUT WRITTEN PERMISSION				