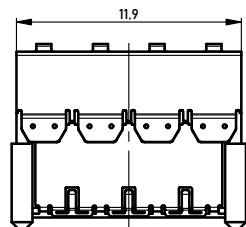
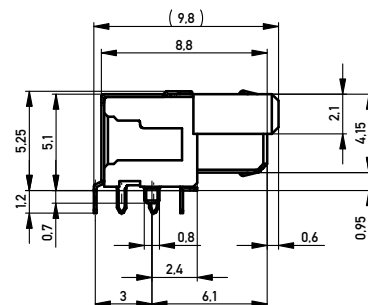
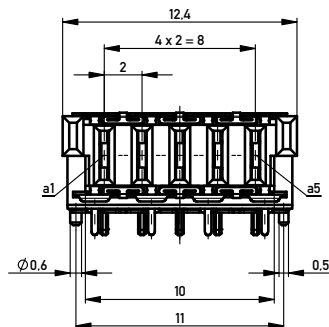
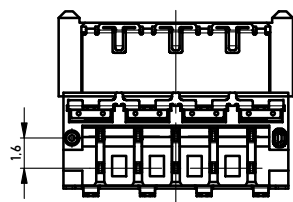
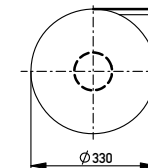
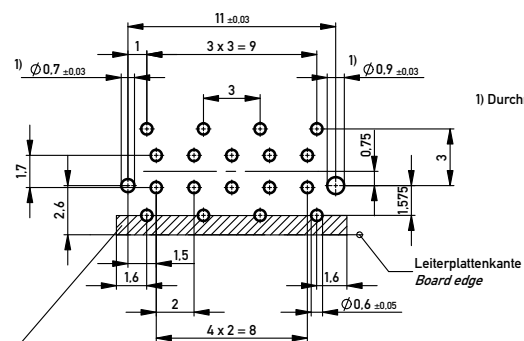


Verpackt im Gurt in Anlehnung an DIN IEC 60286-3
 Tape on Reel Packaging according to DIN IEC 60286-3
 Verpackungseinheit: 500 Stück
 Packaging unit: 500 pcs



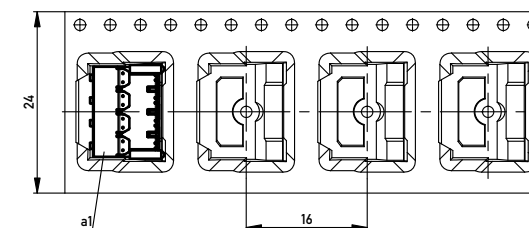
Leiterplatten-Layout Vorschlag / PCB-layout proposal



1) Durchmesser des Bohrers / Drill tool

Schirmblechauflagefläche berücksichtigen.
 keine Durchkontaktierungen oder Leitungen möglich!
 Consider shielding contact area, no vias or traces possible!

Abspulrichtung - Reel off Direction



Anforderungsstufe 1
 Performance Level 1

Kontaktbereich vergoldet
 Mating Area gold plating

Anschlussbereich verzinkt 4-6 µm
 Terminal Area 4-6 µm tin plating

BlindMate THR

Information:		Tolerances		Scale	5:1
All rights reserved. Only for Information. To ensure that this is the latest version of this drawing, please contact one of the ERNI companies before using.		Subject to modification without prior notice. Drawing will not be updated.		Designation	
ERNI www.ERNI.com		MSpeed Federl. 90° PM MSpeed female 90° PM		394570	
f	27.05.2015	Date		I	
Index	Date	Class		MSPPM	
				A2	

Copyright by ERNI Production GmbH & Co. KG
 Proprietary notice pursuant to ISO 16949 to be observed