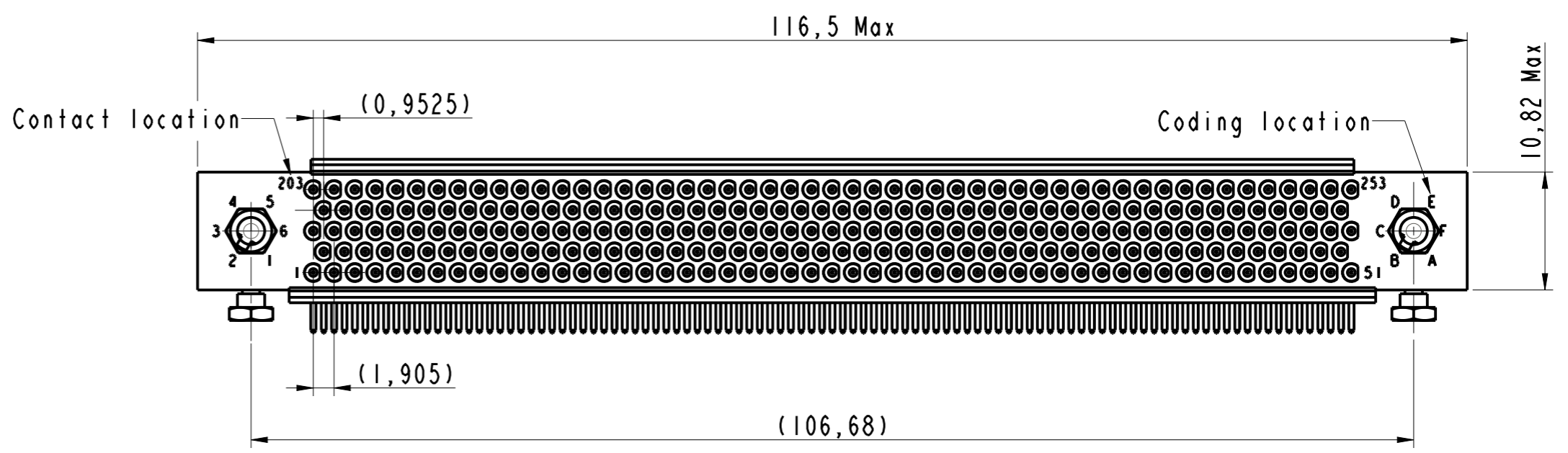
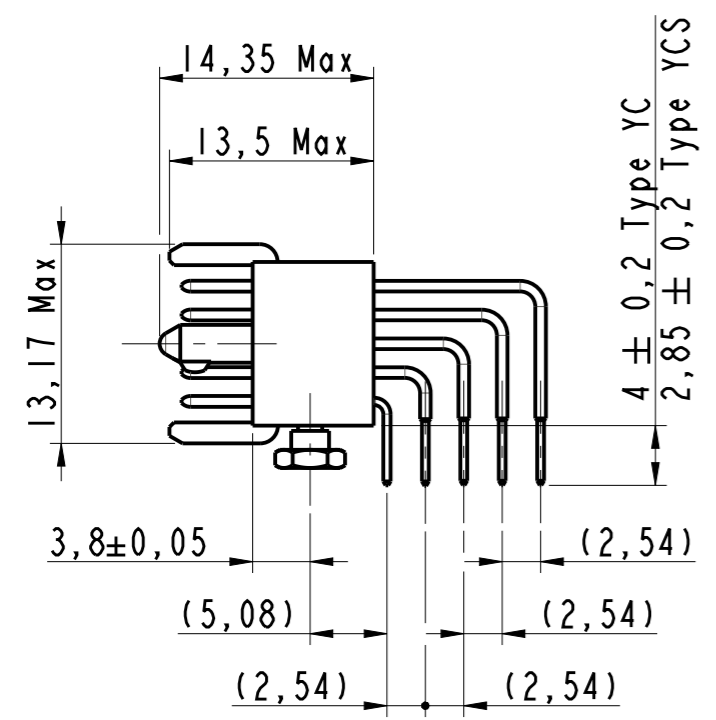
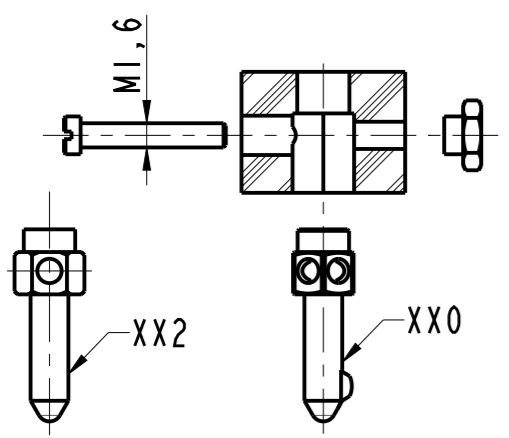


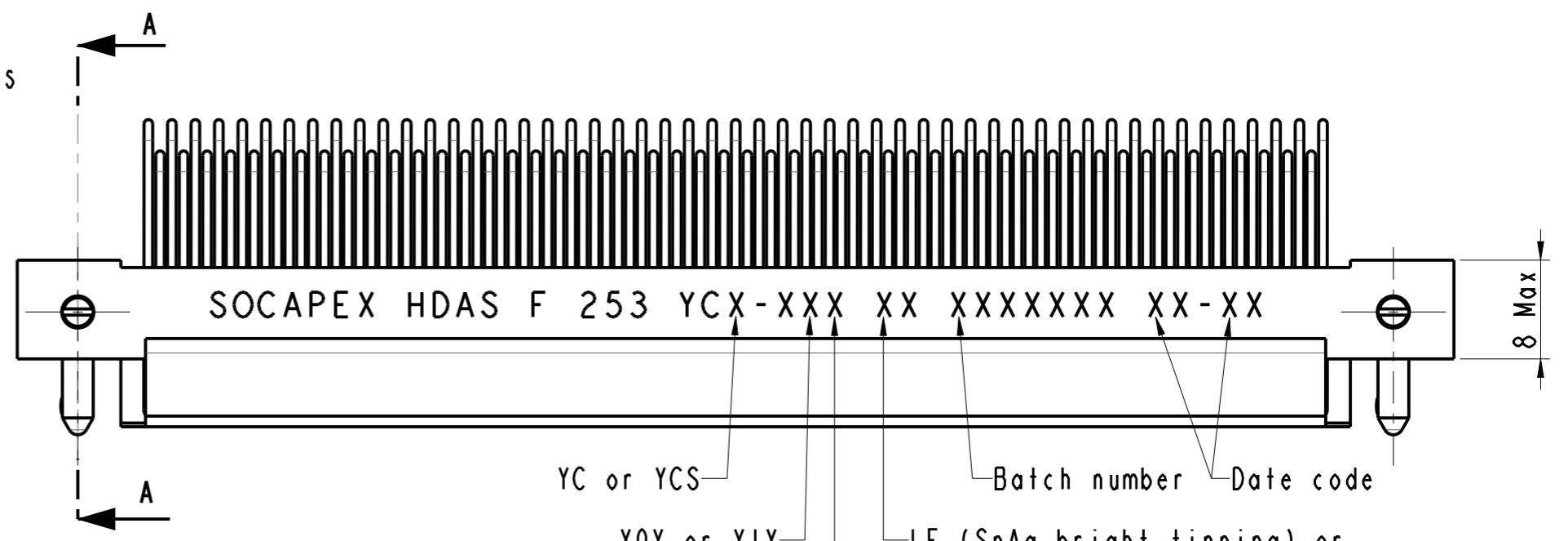
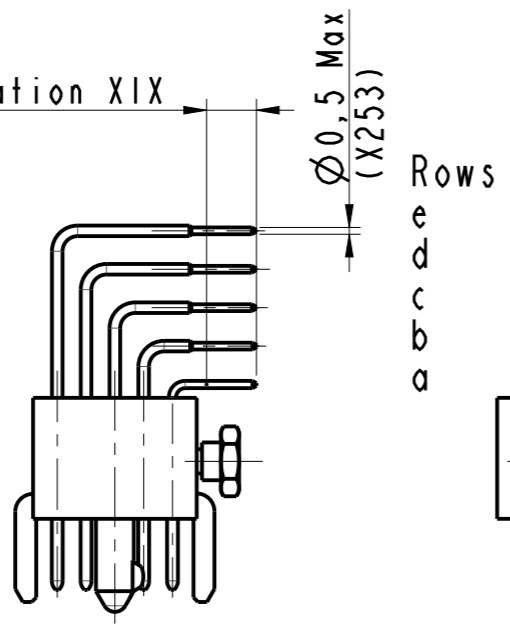
IN THE CONSTANT PURPOSE OF IMPROVING ITS PRODUCTS, Amphenol Socapex RESERVES THE RIGHT TO MODIFY ANY DIMENSION OR CHARACTERISTICS.  
FM.NPD.0036.THYEZ.PUNE rev C



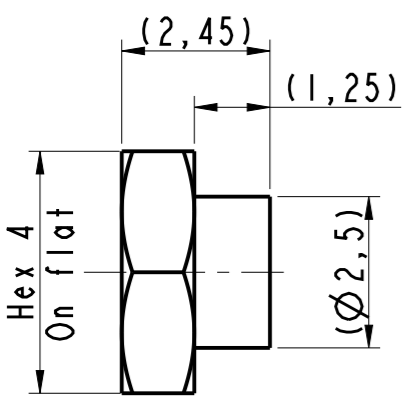
Tinning: deviation XIX  
2 Min for YCS  
3 Min for YC



Uncoding guide      Coding guide  
Section A-A



- Notes:
- Part: HDAS F 253 YCX-XXX XX
  - External dimensions for a male plug with 253 signal contacts type YCX
  - Connector delivered with fittings not assembled, coupling torque : 0,15Nm
  - Standard OXX : Nickel plated over brass fittings.  
Deviation IXX : Passivated stainless steel fittings.
  - Standard XOX : Contacts gold plated (RoHS)  
Deviation XIX : Contacts tail Hot dip tinned  
SnPb (non RoHS) or SnAg (RoHS)



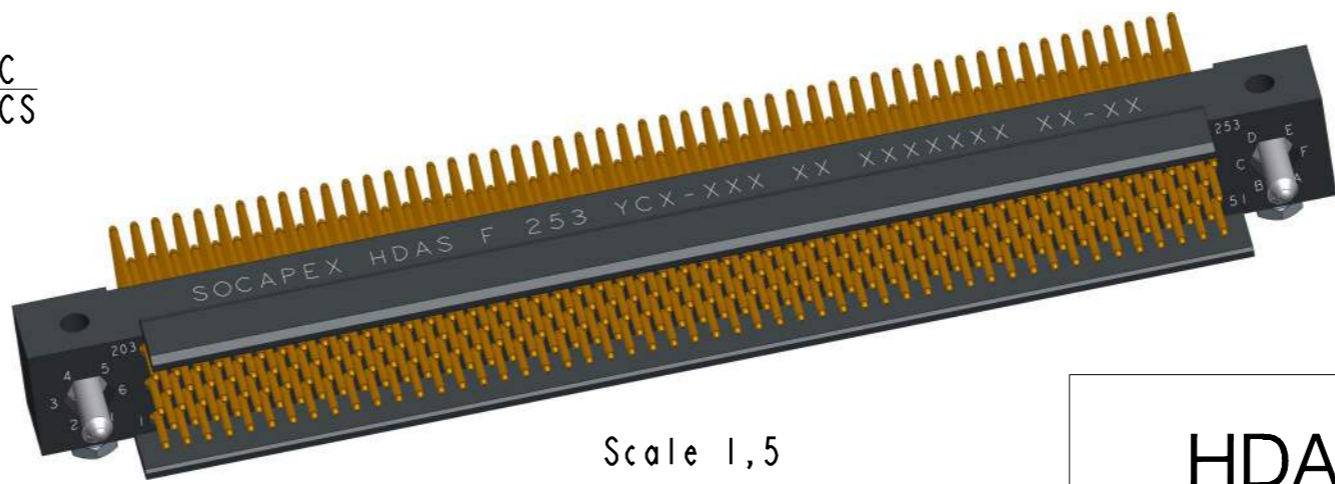
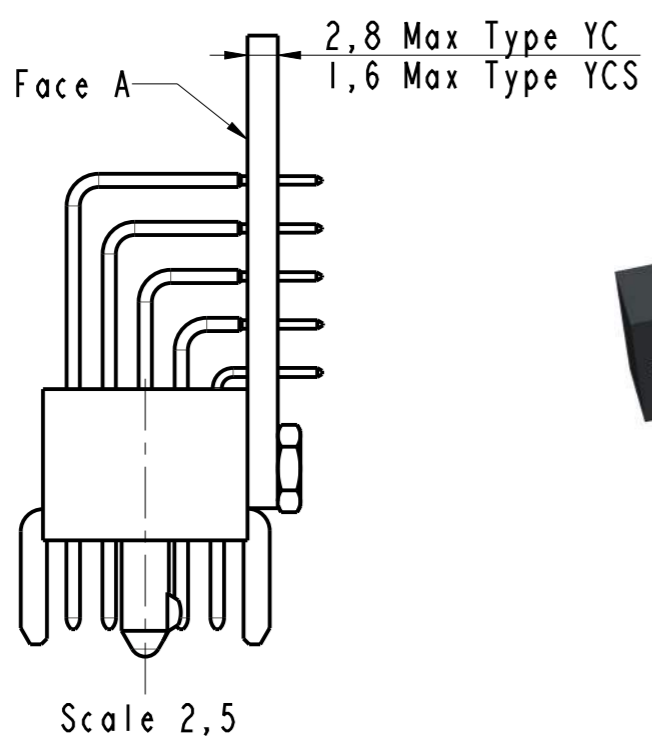
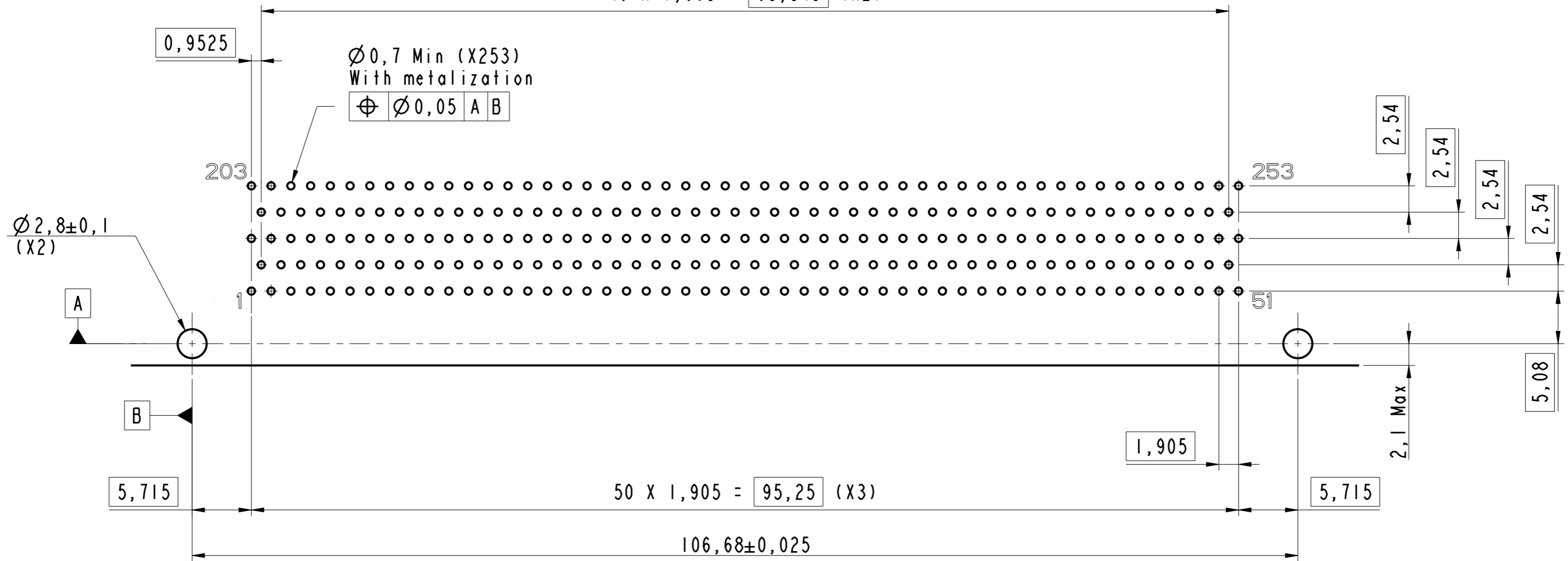
Shoulder nut  
Scale 8

# HDAS F 253 YCX-XXX XX

DRAWN BY: S Satpute		UPDATED BY: S Satpute		LAST APPROVED BY: T Carrier	
ALL DIMENSIONS ARE IN MM		AMPHENOL SOCAPEX		ORIGINAL DRAWING DATE: 03/09/2019	CONFIGURATION DATA ARE AVAILABLE IN PDM
SCALE: 2				REV: D	PAGE: 1/2
		B.P. 29 74311 THYEZ CEDEX		169-PLC-1329-00	

# PCB Layout Face A

$49 \times 1,905 = 93,345 (X2)$



## HDAS F 253 YCX-XXX XX

DRAWN BY : S Satpute		UPDATED BY : S Satpute		LAST APPROVED BY : T Carrier	
ALL DIMENSIONS ARE IN MM		AMPHENOL SOCAPEX		ORIGINAL DRAWING DATE : 03/09/2019	CONFIGURATION DATA ARE AVAILABLE IN PDM
SCALE : 3				REV : D	PAGE : 2/2
		B.P. 29 74311 THYEZ CEDEX		169-PLC-1329-00	

IN THE CONSTANT PURPOSE OF IMPROVING ITS PRODUCTS, Amphenol Socapex reserves the right to modify any dimension or characteristics. FM.NPD.0036.THYEZ.PUNE rev C