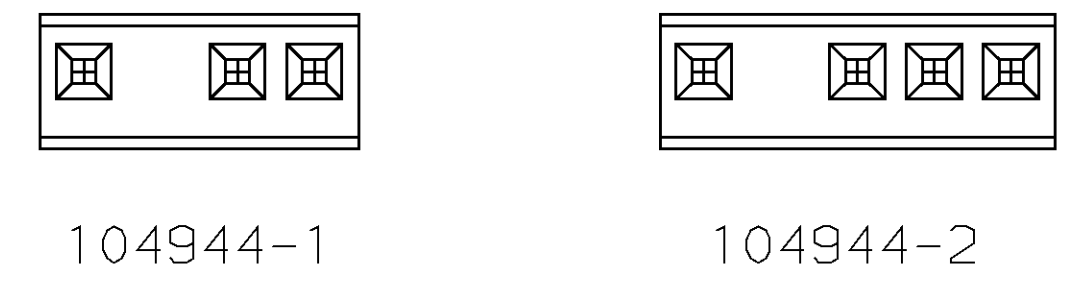
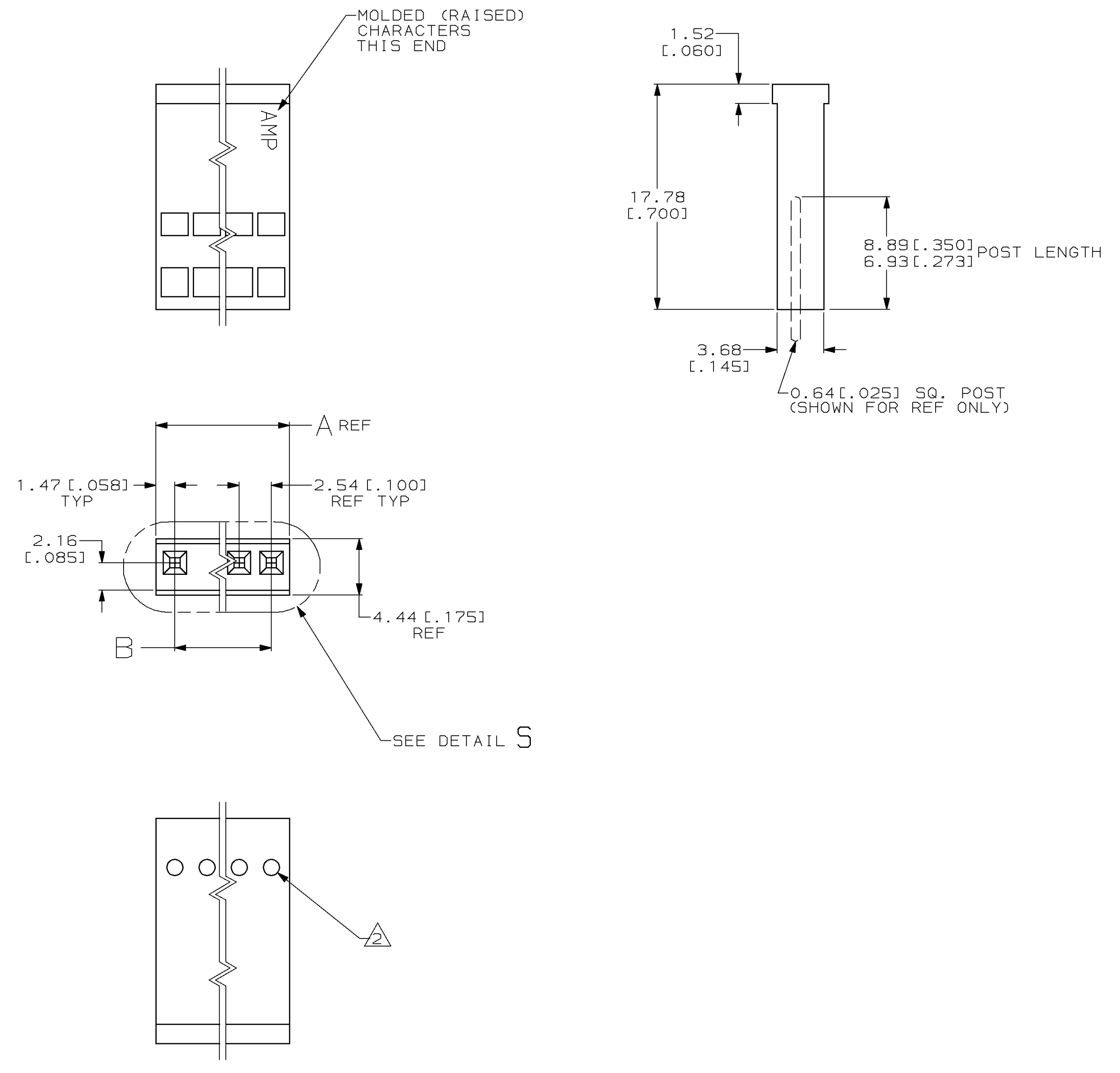


LOC		DIST		REVISIONS			
P	LYR	DESCRIPTION	DATE	DMN	APVD		
AD	39	O	RELEASED	07-AUG-96	EB SS		
		A	REV PER 0310-0380-97	24-SEP-97	EB SS		

- ⚠ HOUSING: GLASS FILLED POLYESTER.
- ⚠ CORE PIN SUPPORT HOLES ARE OPTIONAL AT MOLD VENDORS DISCRETION AND MAY BE ROUND OR SQUARE.



DETAIL S

10.16 [.400]	13.12 [.516]	5	104944-2
7.62 [.300]	10.57 [.416]	4	104944-1
B	A	NO OF POSN	PART NUMBER

THIS DRAWING IS A CONTROLLED DOCUMENT.

DIMENSIONS:	TOLERANCES UNLESS OTHERWISE SPECIFIED:	DMN E. BRANDBERG 07-AUG-96	CHK S. SHUEY 07-AUG-96	AMP Incorporated Harrisburg, PA 17105-3608
mm (INCH)	0 PLC ± 1 PLC ± 2 PLC ±0.13(.005) 3 PLC ± 4 PLC ± ANGLES ±	APVD S. SHUEY 07-AUG-96	NAME	HOUSING-LOCKING CLIP, .025 SQ. POST, .100 CENTERS (CLOSE END), SINGLE ROW
		PRODUCT SPEC	108-36028	APPLICATION SPEC
		114-25006	SIZE A1	CAGE CODE 00779
MATERIAL ⚠	FINISH -	WEIGHT -	DRAWING NO. 104944	SCALE 4:1
		CUSTOMER DRAWING	SHEET 1 OF 1	REV A