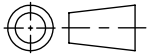


SW2014

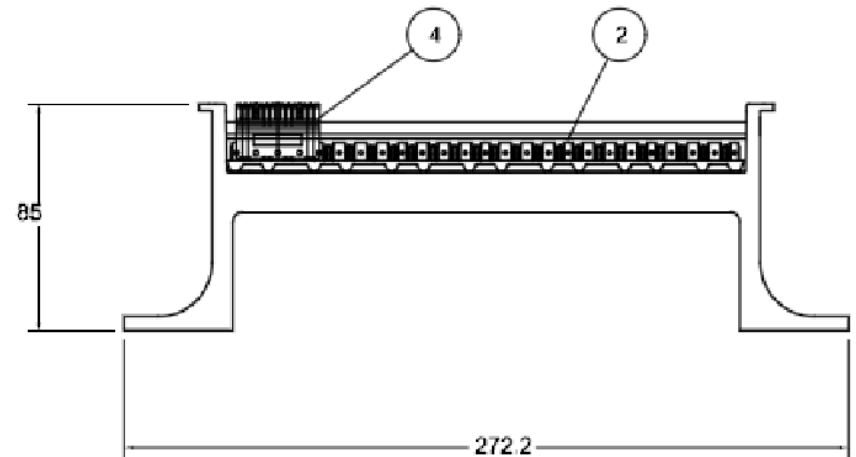
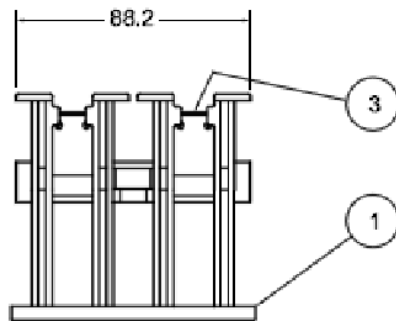
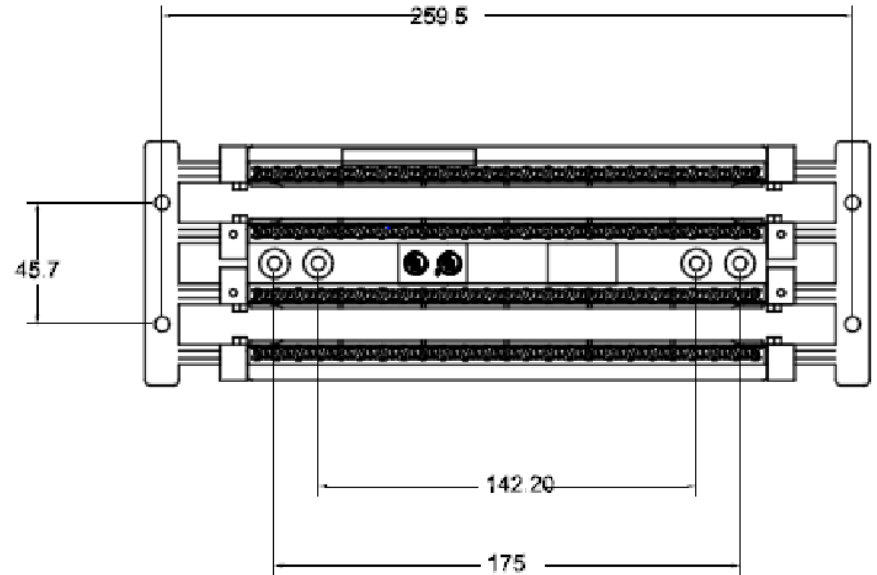


Revision level			Revision Record	Changed	Date	Approved	Date
Drawing	State	Part					
.			SEE ECN# 013155	SNH	6/18/2015	KAC	6/18/2015

NOTES:

1. MATERIAL: P.C.
2. PART TO BE FREE OF BURRS, SUCKS & SCRATCHES.
3. DRAFT ANGLE: 1°MAX.
4. ALL UNSPECIFIED CORNER, EDGE, OR FILLET BREAKS ARE TO BE 0.50mm MAXIMUM.

ITEM	DESCRIPTION	QTY	P/N
1	96 PR BASE WITH LEG	1	LP1340
2	24 PR INSERT	4	LP1019
3	INDEX HOLDER	4	110PH
4	110-CAT6 CONNECTING CLIP	48	610C-4



Material
PC

Units: **millimeters**
 Dimension without tolerances details to:
 .xxx = ±.013
 .xx = ±.13
 .x = ±.3
 None = ±.8
 < = ±0.5°
 Dimension Formatted mm/[in]

The copyright of this drawing is reserved by HellermannTyton. It is issued on condition that it is not reproduced, copied, or disclosed to a third party, either wholly or in part, without the consent of HellermannTyton.

Drawn	SNH	6/18/2015
Approved	KAC	6/18/2015

HellermannTyton
 North America
 Email: corp@htamericas.com
 Web: www.hellermann.tyton.com

Article/Type-No T110KIT2884
 Title **CATEGORY 6 288 PAIR WITH 4 PAIR CLIPS**
 Drawing-No : Phase
15-0375-001-CSU

Scale 1:1
 Project Number PRP 15-0375
 Format AH
 Sheet 1/1