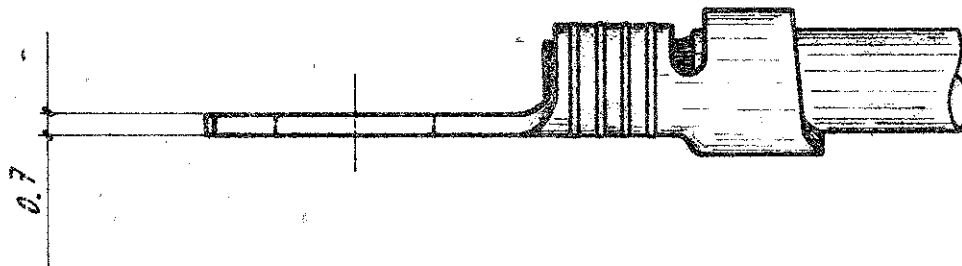
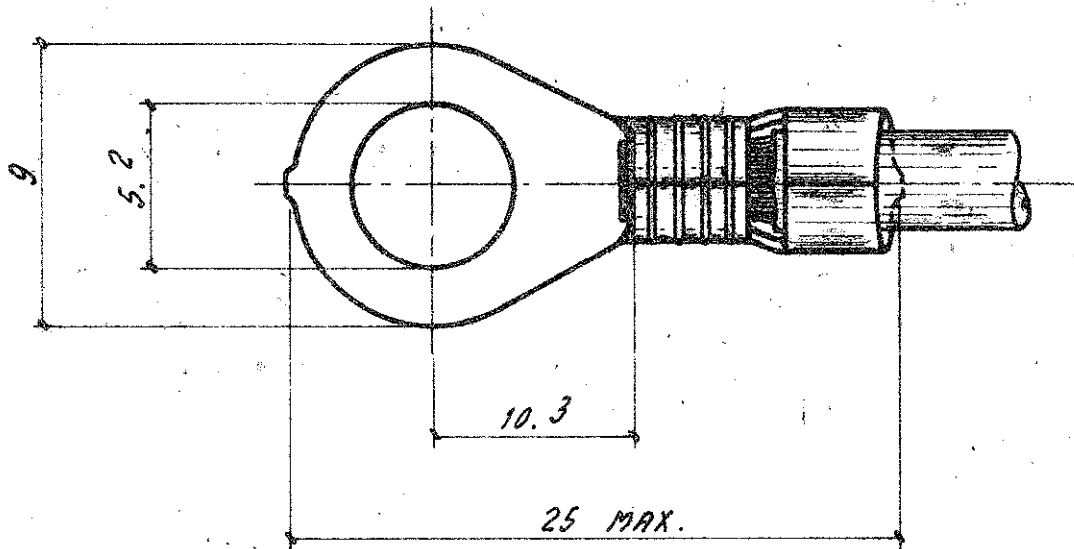


NUMBER
C-280267



DIMENSIONS IN mm (in) DO NOT SCALE PRINT

OBSOLETE

				© 1970 BY AMP INCORPORATED. ALL RIGHTS RESERVED. AMP PRODUCTS COVERED BY PATENTS AND/OR PATENTS PENDING.		CUSTOMER COPY REFERENCE ONLY	
E	Revised E100-0067-01	GS	09/03/01	MATERIAL AND FINISH		AMP AMP - ITALIA CORSO FECHIERA 280/B TORINO - ITALIA	
C	PN 280267-1: OBSOLETE FOR EC E100-0106-96	A.F.	05 MAR 96	OTTONE		CLASS	
B	TERMINALE IN PRODUZIONE	June	16-2-72	OTTONE STAGNATO		TYPE	
A	FIN ERA 1A-70-506B	Castan	10/12/71	WIRE RANGE INSULATION		TYPE	
LTR REVISION RECORD		DR	CHK	DATE	TOLERANCE EXCEPT AS NOTED	SCALE	LOC NO
DR Castan 7 th APRIL 70		DE			± 0.4 + 1° 0'		I A C-280267
CHK Castan APRIL 70		APP			NAME		REV E

RING TONGUE WITH INS. SUPPORT.