



## D-SERIES INCLINOMETER

### SPECIFICATIONS

- ◆ Dual axis inclinometer
- ◆ Measurement range  $\pm 5^\circ$   $\pm 15^\circ$  or  $\pm 30^\circ$
- ◆ High accuracy
- ◆ Digital and analogue output signal
- ◆ CANopen
- ◆ CE approved

The D-series of conductive inclinometers offers modern SMD-technology in an environmentally protected and a robust aluminum housing. The dual axis inclinometer achieves high accuracy over a wide temperature range.

The fast microcontroller works with a linearization and temperature compensation routines. This full calibrated inclinometer is available with digital output RS 232 and analogue voltage output 0.5 up to 4.5 V or current output 4...20mA or PWM output or switch output signals. Furthermore is inclinometer is available with a CANopen interface.

### FEATURES

- ◆ High accuracy
- ◆ Robust metal housing, IP Class 67/68
- ◆ High resolution
- ◆ EMC protected
- ◆ CE approved
- ◆ Rugged M12 male connector
- ◆ Programmable digital filtering to minimized influences from shock and vibration
- ◆ Programmable zero point, baud rate, output rate

### APPLICATIONS

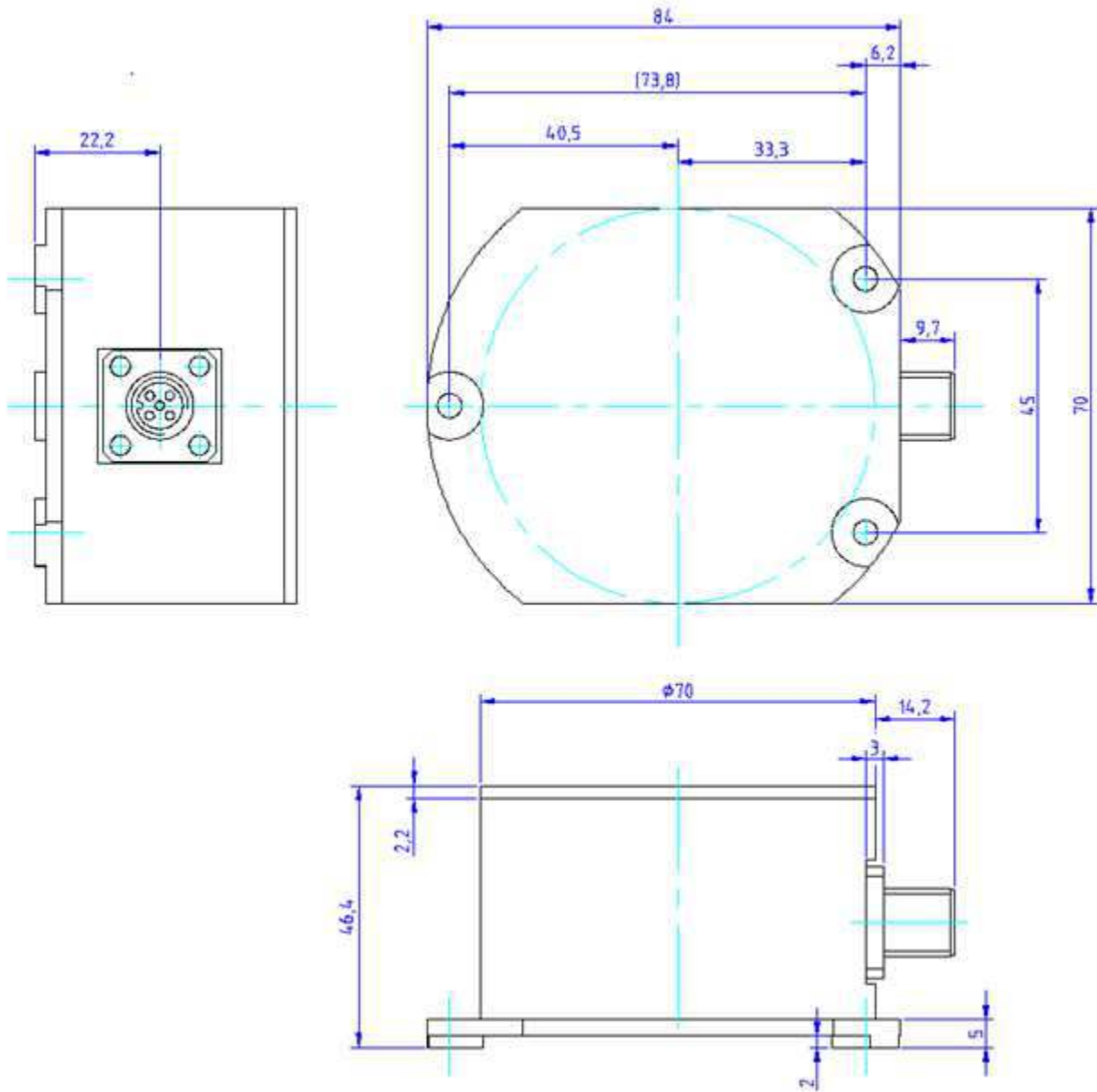
- ◆ Building control
- ◆ Road construction machines
- ◆ Wind power
- ◆ Mobile and stationary cranes
- ◆ Hydraulic leveling
- ◆ Platform leveling
- ◆ Drilling machines

**PERFORMANCE SPECIFICATIONS**

	Conditions	Min	Type	Max	Unit
Measurement range		-5 (-15,-30)		+5(+15,+30)	°
Resolution		0.001		0.005	°
Accuracy,digital,analogue (absolute)	Ta = +25°C		0.04		°
Accuracy,digital,analogue (absolute)	Ta = - 40°C to 85°C		0.15	(0.3,0.8)	°
Offset temperature drift error	Ta = - 40°C to 85°C		0.06		°
Noise RMS			0.001		°
Frequency response			2	3	Hz
Power supply		10		30	VDC
Operation temperature range		-40		+85	°C
Storage temperature range		-40		+85	°C
Weight			290		g
Dimensions	W x D x H		84 x 70 x 46		mm
<b>Unit with RS 232 interface and analogue output signal</b>					
Transmission rate, programmable		0.1	10	16	Hz
Baud rate, programmable		2.4	9.6	57.6	kB
Current output		20		4	mA
Voltage output		0.5		4.5	V
PWM output	1 KHz	20		80	%
Switch output,programmable	Step		0.1		°
Current consumption			30	40	mA
<b>Unit with CANopen interface</b>					
Baud rate, programmable		0.02	0.25	1	MBaud
Code	Binary				-
Interface	CAN according to CAL				-
Current consumption			50	90	mA

# D-SERIES INCLINOMETER

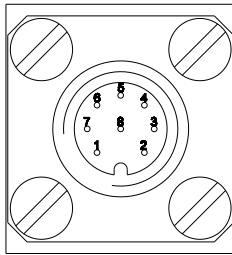
## DIMENSIONS [MM]



### PINNING - UNIT WITH RS 232 INTERFACE AND ANALOGUE OUTPUT

Pin	Name	Description	Type	Color schema <sup>(1)</sup>
1	+Ub	positive power supply +10...+30VDC	supply	white
2	RxD	Rx serial signal RS 232	input	brown
3	TxD	Tx serial signal RS232	output	green
4	GND	negative power supply, ground	supply	yellow
5	XOut	X-axis output	output	grey
6	SGND	signal ground	supply	pink
7	YOut	Y- axis output	output	blue
8	NC	NC	nc	nc

(1) By using a Measurement Specialties cable



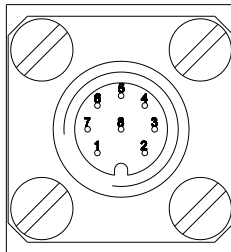
Front view of housing  
connector inclinometer

**For more details please use the product specification / application note / instruction manual.**

### PINNING – UNIT WITH CANOPEN INTERFACE

Pin	Name	Description	Type	Color schema <sup>(1)</sup>
1	+Ub	positive power supply +10...+30VDC	supply	white
2	NC	nc	nc	brown
3	NC	nc	nc	green
4	GND	negative power supply, ground	supply	yellow
5	CANout	CAN Low	output	grey
6	CANgnd	CAN Ground	supply	pink
7	CANout	CAN High	output	blue
8	NC	nc	nc	nc

(1) By using a Measurement Specialties cable



Front view of housing  
connector inclinometer

**For more details please use the product specification / application note / instruction manual.**

## ORDERING INFORMATION

PART NUMBERING	UNIT	SHORT DESCRIPTION
G-NSDMG-015	NS-5/DMG2-U	Range +/-5°,Vcc 10 to 30VDC,output RS232,voltage
G-NSDMG-017	NS-5/DMG2-I	Range +/-5°,Vcc 10 to 30VDC,output RS232,current
G-NSDMG-014	NS-5/DMG2-PWM	Range +/-5°,Vcc 10 to 30VDC,output RS232,PWM
G-NSDMG-016	NS-5/DMG2-S	Range +/-5°,Vcc 10 to 30VDC,output RS232,switch
G-NSDMG-030	NS-5/DMG2-CXD	Range +/-5°,Vcc 10 to 30VDC,output CANopen
G-NSDMG-019	NS-15/DMG2-U	Range +/-15°,Vcc 10 to 30VDC,output RS232,voltage
G-NSDMG-021	NS-15/DMG2-I	Range +/-15°,Vcc 10 to 30VDC,output RS232,current
G-NSDMG-018	NS-15/DMG2-PWM	Range +/-15°,Vcc 10 to 30VDC,output RS232,PWM
G-NSDMG-020	NS-15/DMG2-S	Range +/-15°,Vcc 10 to 30VDC,output RS232,switch
G-NSDMG-031	NS-15/DMG2-CXG	Range +/-15°,Vcc 10 to 30VDC,output CANopen
G-NSDMG-023	NS-30/DMG2-U	Range +/-30°,Vcc 10 to 30VDC,output RS232,voltage
G-NSDMG-025	NS-30/DMG2-I	Range +/-30°,Vcc 10 to 30VDC,output RS232,current
G-NSDMG-022	NS-30/DMG2-PWM	Range +/-30°,Vcc 10 to 30VDC,output RS232,PWM
G-NSDMG-024	NS-30/DMG2-S	Range +/-30°,Vcc 10 to 30VDC,output RS232,switch
G-NSDMG-032	NS-30/DMG2-CXN	Range +/-30°,Vcc 10 to 30VDC,output CANopen
<b>Accessories</b>		
G-NSMIS-036	Connector	Connector, straight, 713-series
G-NSMIS-013	Connector	Connector, angle 90°, 713-series
G-NSMIS-008	Connection	2 m cable, straight connector 763-series
G-NSMIS-009	Connection	2 m cable, angle 90° connector 763-series

Other cable length on request.

### NORTH AMERICA

Measurement Specialties, Inc.,  
a TE Connectivity Company  
Phone: 800-522-6752  
Email: [customercare.hmpt@te.com](mailto:customercare.hmpt@te.com)

### EUROPE

MEAS Deutschland GmbH (Europe)  
a TE Connectivity Company  
Phone: 800-440-5100  
Email: [customercare.tlse@te.com](mailto:customercare.tlse@te.com)

### ASIA

Measurement Specialties (China), Ltd.,  
a TE Connectivity Company  
Phone: 0400-820-6015  
Email: [customercare.shzn@te.com](mailto:customercare.shzn@te.com)

### [TE.com/sensorsolutions](http://TE.com/sensorsolutions)

Measurement Specialties, Inc., a TE Connectivity company.

Measurement Specialties, TE Connectivity, TE Connectivity (logo) and EVERY CONNECTION COUNTS are trademarks. All other logos, products and/or company names referred to herein might be trademarks of their respective owners.

The information given herein, including drawings, illustrations and schematics which are intended for illustration purposes only, is believed to be reliable. However, TE Connectivity makes no warranties as to its accuracy or completeness and disclaims any liability in connection with its use. TE Connectivity's obligations shall only be as set forth in TE Connectivity's Standard Terms and Conditions of Sale for this product and in no case will TE Connectivity be liable for any incidental, indirect or consequential damages arising out of the sale, resale, use or misuse of the product. Users of TE Connectivity products should make their own evaluation to determine the suitability of each such product for the specific application.

© 2015 TE Connectivity Ltd. family of companies All Rights Reserved.