

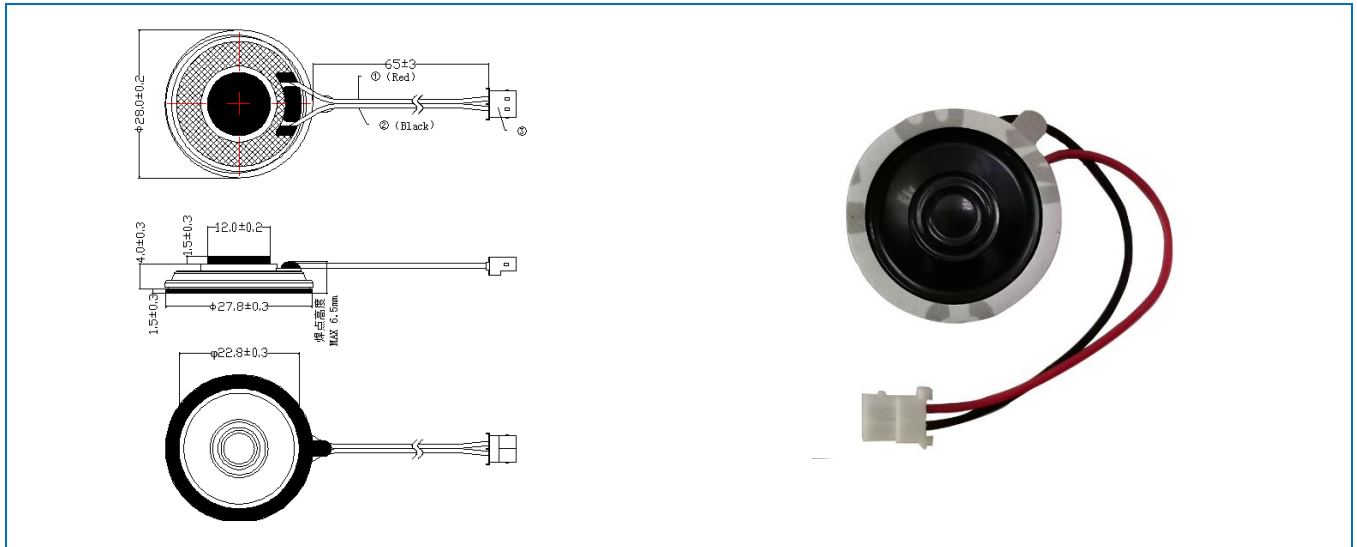
Model No: NS28M-08005-L65-01

Rev : 1.0

### Product Description

Ultra-thin Mylar horn

### Mechanical Drawing



### Specifications

ITEMS	DATA	UNIT	ITEMS	DATA	UNIT
Impedance	8	Ohm	F <sub>0</sub>	700	Hz
Sensitivity	93	dB	Frequency Range	700-8K	Hz
THD	5	%	Weight	6	g
Rated Power	0.5	W	Operating Temp	-30~60	°C
Max Power	1	W			

### Frequency Response Curve

