

4

3

2

1

THIS DRAWING IS UNPUBLISHED.

RELEASED FOR PUBLICATION

,19

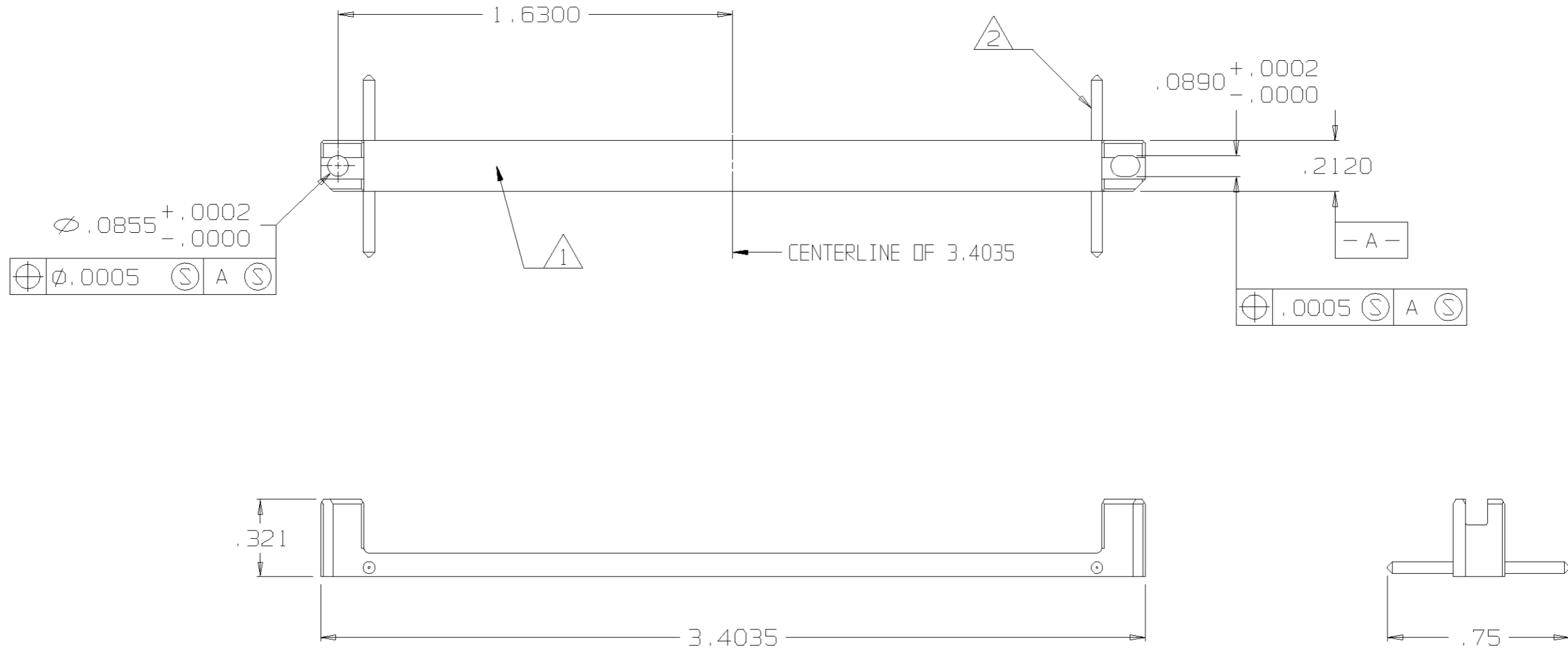
© COPYRIGHT 19

BY AMP INCORPORATED. ALL RIGHTS RESERVED.

LOC AD DIST 47

REVISIONS

P	LTR	DESCRIPTION	DATE	DWN	APVD
0		RELEASED	5-24-99	JG	SS



- ① PART NUMBER MARKED IN AREA INDICATED.
- ② END CAPS APPLIED TO PINS NOT SHOWN.

767680-1
PART NUMBER

THIS DRAWING IS A CONTROLLED DOCUMENT.		DWN J. GERACE 5-24-99	AMP AMP Incorporated Harrisburg, PA 17105-3608
		CHK S. STRICKLER 5-24-99	
DIMENSIONS: INCHES	TOLERANCES UNLESS OTHERWISE SPECIFIED:	APVD A. MONK 5-24-99	NAME
	0 PLC ± -	PRODUCT SPEC	FIRST DATUM BLOCK, DUAL INSPECTION GAGE, 228 POS RECEPTACLE, MICTOR
	1 PLC ± -	APPLICATION SPEC	
MATERIAL	FINISH	WEIGHT	SIZE
STAINLESS STEEL	-	-	A3
		CUSTOMER DRAWING	CAGE CODE
			00779
			DRAWING NO
			©-767680
		SCALE 2:1	SHEET 1 OF 1
			REV 0