

SPECIFICATION

Part No. : **CAB.952**

Product Name : Taoglas Cable Assembly
N Type Jack with O-Ring to 3000mm(9.84') RG-316 to SMA(M)

Photo :

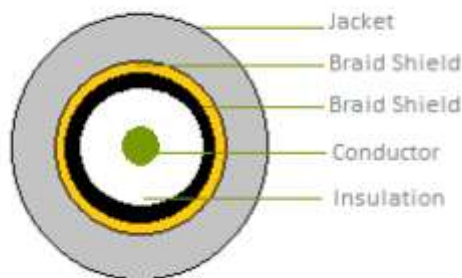


1. Cable Insertion Loss

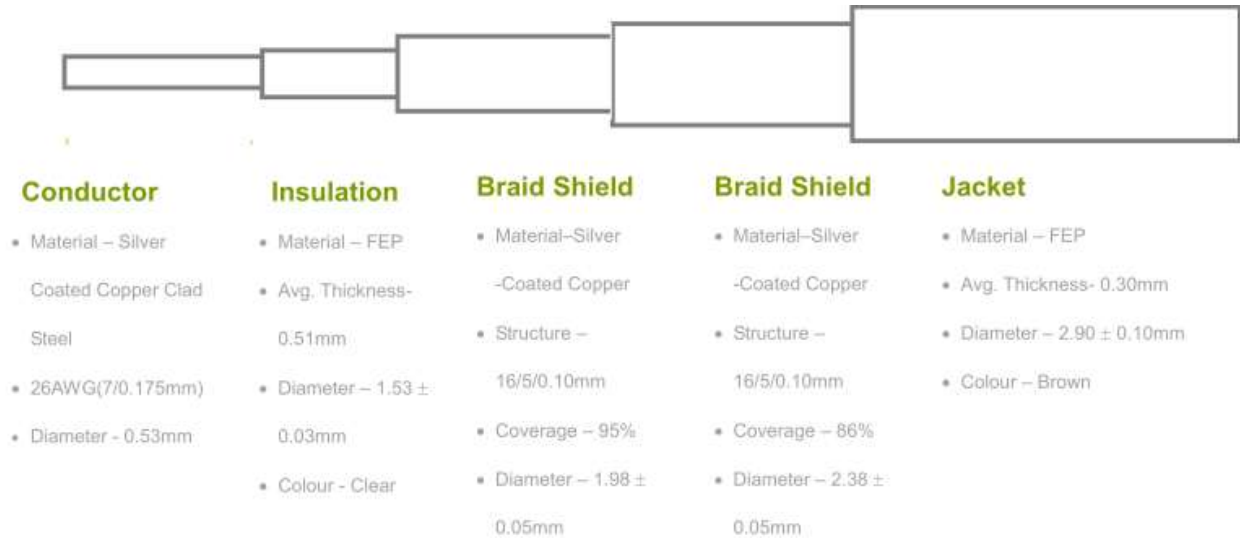


2. RG-316 Cable Specification

2.1 Drawing – Cross Section



2.2 Structure and Dimensions



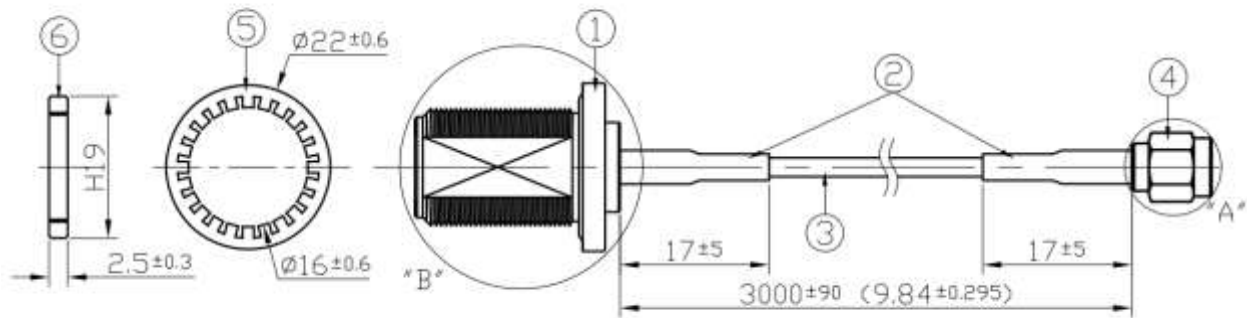
2.3 Electrical & Physical Specification

The Characteristic of RG316 Coaxial Cable

Rating Temp Voltage:	105°C 30V					
Insulation Resistance:	3000 MΩ-Km (Min)					
Conductor Resistance:	302 Ω/Km 20°C (Max)					
Dielectric Strength:	AC 1 KV/Minute					
Spark Test	5.0 KV					
Nom. Impedance	50 ± 3 Ω					
Nom. Capacitance	95.8 ± 3 pF/m					
Nom. Vel. of Prop.	69%					
VSWR (0-6 GHz)	Max 1.3					
Attenuation (dB/3M)	500MHz	1GHz	1.5GHz	2GHz	2.5GHz	3GHz
	1.8	2.6	3.2	3.7	4.2	4.6

3. Technical Drawing

3.1 CAB.952



	Name	Material	Finish	QTY
1	N Type(F) ST	Brass	Ni Plated	1
2	Heat Shrink Tube (RG-316)	PE	Black	2
3	RG-316 Coaxial Cable	FEP	Brown	1
4	SMA(M) ST	Brass	Gold	1
5	Washer	Brass	Ni Plated	1
6	Nut	Brass	Ni Plated	1

3.2 Connectors

