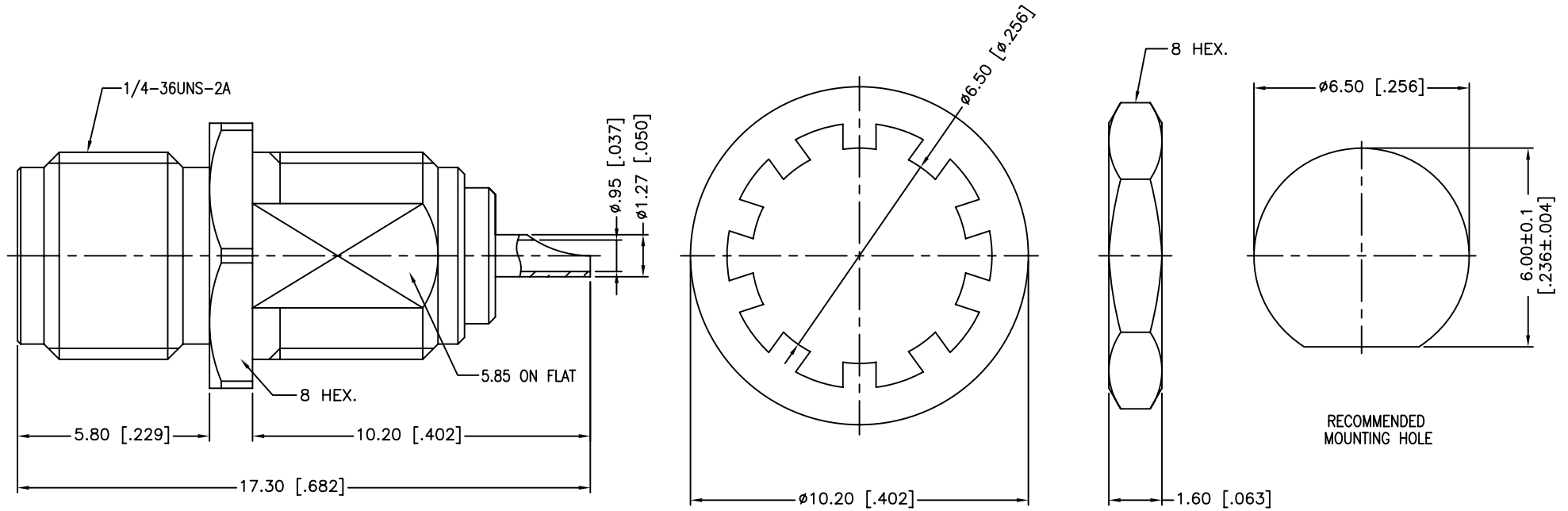


REV.	DATE	ECR NO.	DESCRIPTION
NC	10/29/10	XXXXXX	INITIAL RELEASE



1. MAX. PANEL THICKNESS=2.5mm

				APPROVALS	DATE	Amphenol Connex					
UNLESS OTHERWISE SPECIFIED DIMENSIONS ARE IN MILLIMETERS. DIMENSIONS IN [] ARE IN INCHES AND FOR CUSTOMER REFERENCE ONLY.				DRAWN	M.ZHANG				10/29/10	PART DESCRIPTION SMA BULKHEAD RECEPT. JACK	
UNLESS OTHERWISE SPECIFIED TOLERANCES FOR MILLIMETERS ARE: 0.5 - 8mm ± 0.20mm 8 - 30mm ± 0.40mm 30 - 120mm ± 0.50mm				CHECKED			PART NO. 132137				
UNLESS OTHERWISE SPECIFIED TOLERANCES FOR INCHES ARE: .020 - .315 = ± 0.007" .315 - 1.180 = ± 0.015" 1.180 - 4.724 = ± 0.020"				ISSUED						DWG. NO. 132137.DWG	
DO NOT SCALE DRAWING				SHEET	1 OF 1		REV.	NC	SCALE		
5	HEX NUT	BRASS	GOLD	1	CAD FILE			F:/CONNEX/132137.DWG			
4	LOCK WASHER	BRASS	GOLD	1							
3	CONTACT PIN	BERYLLIUM COPPER	GOLD	1							
2	INSULATOR	PTFE	NATURAL	1							
1	BODY	BRASS	GOLD	1							
	DESCRIPTION	MATERIAL	FINISH	QTY							