

2198484-1 ✓ ACTIVE



Mini-SAS HD

TE Internal #: 2198484-1

Mini-SAS Cages, 1 Port, Included Lightpipe, Cable-to-Board, 36 Position, .03 mm [.75 in] Centerline, Printed Circuit Board, Signal, Mini-SAS HD

[View on TE.com >](#)

Connectors > Pluggable IO Connectors & Cages > Mini-SAS Cages > Mini-SAS HD Cages



Number of Ports: 1

Included Lightpipe: Yes

Connector System: Cable-to-Board

Number of Positions: 36

Centerline (Pitch): .03 mm [.75 in]

[All Mini-SAS HD Cages \(12\)](#)

Features

Product Type Features

Form Factor	Mini-SAS HD
Shell	With
Pluggable I/O Product Type	Receptacle Assembly
Connector & Housing Type	Receptacle
Connector System	Cable-to-Board
Connector & Contact Terminates To	Printed Circuit Board

Configuration Features

Stackable	No
PCB Mount Orientation	Right Angle
Number of Ports	1
Number of Positions	36

Contact Features



Contact Base Material	Copper Alloy
-----------------------	--------------

Termination Features

Termination Post & Tail Length	1.64 mm[.065 in]
Termination Method to Printed Circuit Board	Through Hole - Press-Fit

Mechanical Attachment

PCB Mount Retention	With
PCB Mount Retention Type	M2 Screw

Housing Features

Housing Material	LCP (Liquid Crystal Polymer)
Housing Color	Black
Centerline (Pitch)	.03 mm[.75 in]

Dimensions

PCB Thickness (Recommended)	.97 mm[.038 in]
Profile Height from PCB	16.44 mm[.647 in]

Usage Conditions

High Temperature Compatible	Yes
Operating Temperature Range	-55 – 85 °C[-67 – 185 °F]

Operation/Application

Circuit Application	Signal
---------------------	--------

Industry Standards

UL Flammability Rating	UL 94V-0
------------------------	----------

Packaging Features

Packaging Method	Box & Tray, Package
------------------	---------------------

Other

Included Lightpipe	Yes
--------------------	-----

Product Compliance

[For compliance documentation, visit the product page on TE.com>](#)

EU RoHS Directive 2011/65/EU	Compliant
EU ELV Directive 2000/53/EC	Compliant
China RoHS 2 Directive MIIT Order No 32, 2016	No Restricted Materials Above Threshold



EU REACH Regulation (EC) No. 1907/2006

Current ECHA Candidate List: JUNE 2023 (235)

Candidate List Declared Against: JAN 2023 (233)

Does not contain REACH SVHC

Halogen Content

Not Low Halogen - contains Br or Cl > 900 ppm.

Solder Process Capability

Not applicable for solder process capability

Product Compliance Disclaimer

This information is provided based on reasonable inquiry of our suppliers and represents our current actual knowledge based on the information they provided. This information is subject to change. The part numbers that TE has identified as EU RoHS compliant have a maximum concentration of 0.1% by weight in homogenous materials for lead, hexavalent chromium, mercury, PBB, PBDE, DBP, BBP, DEHP, DIBP, and 0.01% for cadmium, or qualify for an exemption to these limits as defined in the Annexes of Directive 2011/65/EU (RoHS2). Finished electrical and electronic equipment products will be CE marked as required by Directive 2011/65/EU. Components may not be CE marked. Additionally, the part numbers that TE has identified as EU ELV compliant have a maximum concentration of 0.1% by weight in homogenous materials for lead, hexavalent chromium, and mercury, and 0.01% for cadmium, or qualify for an exemption to these limits as defined in the Annexes of Directive 2000/53/EC (ELV). Regarding the REACH Regulation, the information TE provides on SVHC in articles for this part number is based on the latest European Chemicals Agency (ECHA) 'Guidance on requirements for substances in articles' posted at this URL: <https://echa.europa.eu/guidance-documents/guidance-on-reach>

Compatible Parts



TE Part # 2-2337815-1
MINISAS HD TO MINISAS HD,28AWG, 0.5M



TE Part # 2-2337815-2
MINISAS HD TO MINISAS HD,28AWG, 1M



TE Part # 2-2337815-3
MINISAS HD TO MINISAS HD,28AWG, 2M



TE Part # 2-2337815-5
MINISAS HD TO MINISAS HD,28AWG, 4M



TE Part # 2-2337815-6
MINISAS HD TO MINISAS HD,28AWG, 5M



TE Part # 2337815-1
MINISAS HD TO MINISAS HD,30AWG, 0.5M



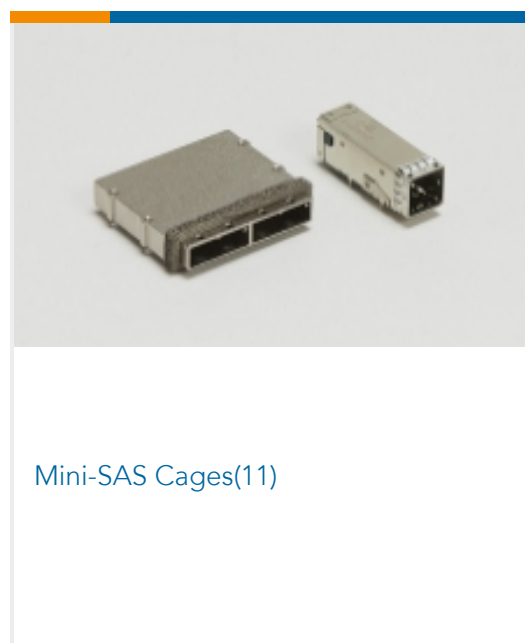
TE Part # 2337815-2
MINISAS HD TO MINISAS HD,30AWG, 1M



TE Part # 2337815-3
MINISAS HD TO MINISAS HD,30AWG, 2M

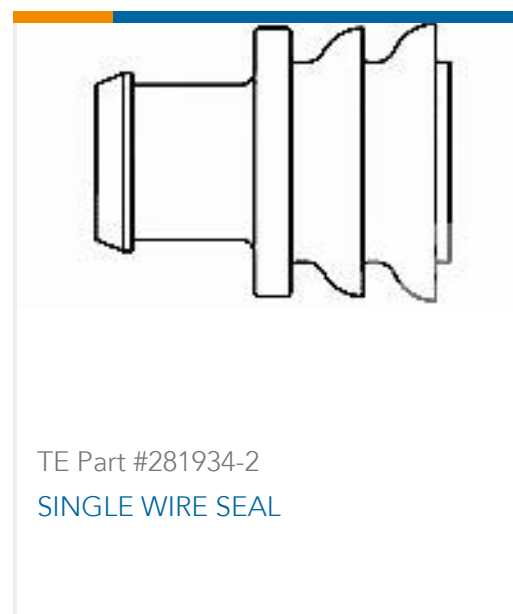


Also in the Series | **Mini-SAS HD**



Customers Also Bought





Documents

Product Drawings

MiniSAS HD 1x1 Rec Assy w/ LP

English

CAD Files

3D PDF

3D

Customer View Model

[ENG_CVM_CVM_2198484-1_B.2d_dxf.zip](#)

English

Customer View Model

[ENG_CVM_CVM_2198484-1_B.3d_igs.zip](#)

English

Customer View Model

[ENG_CVM_CVM_2198484-1_B.3d_stp.zip](#)

English

By downloading the CAD file I accept and agree to the [Terms and Conditions](#) of use.

Datasheets & Catalog Pages

7-1773461-9_MINI_SAS_HD_INTERCONNECT

English

Product Specifications

Application Specification

English

Application Specification

English

Instruction Sheets

Instruction Sheet (U.S.)

English

Agency Approvals

UL Report

English