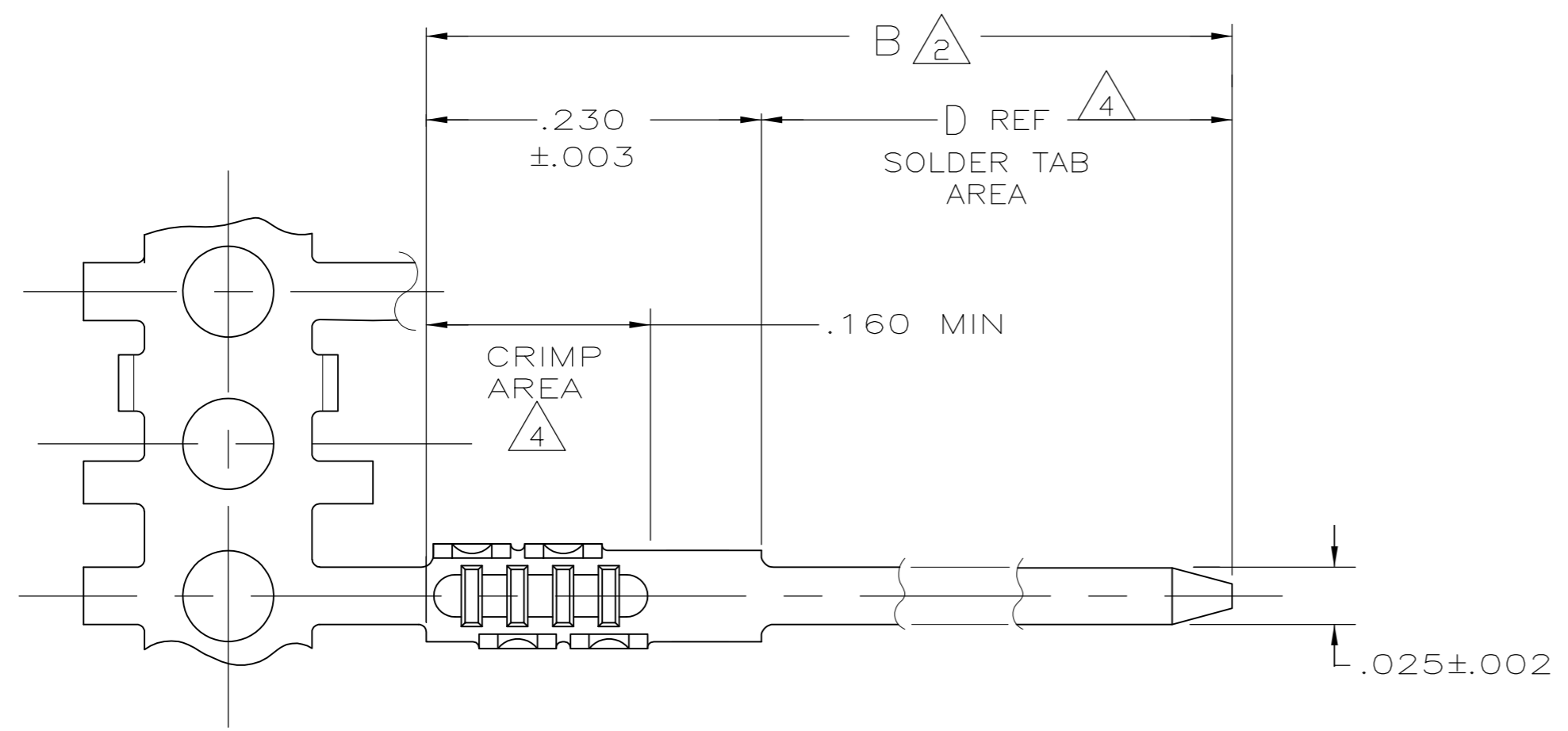
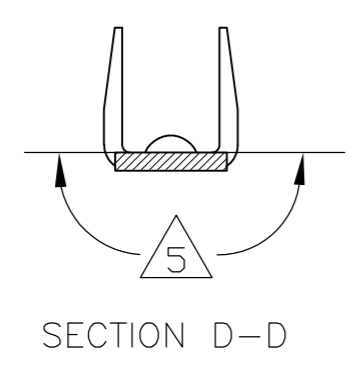
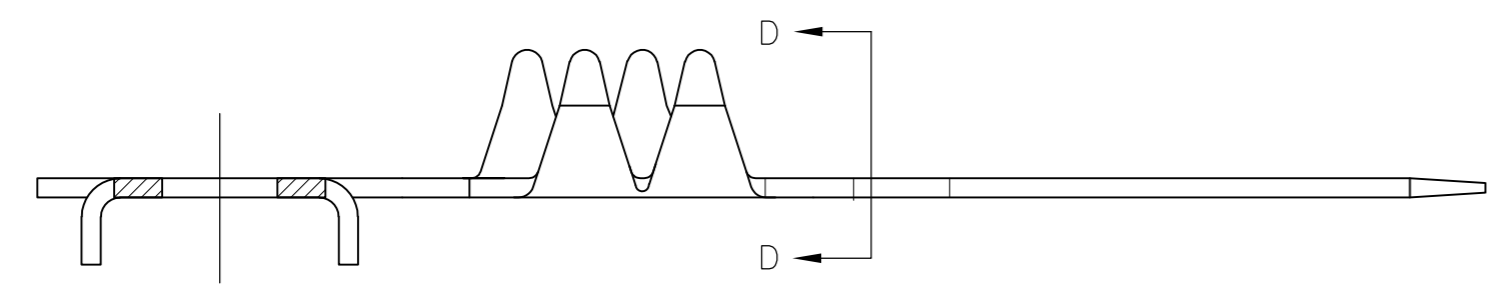


THIS DRAWING IS UNPUBLISHED. RELEASED FOR PUBLICATION  
 © COPYRIGHT BY TYCO ELECTRONICS CORPORATION. ALL RIGHTS RESERVED.

LOC	DIST	REVISIONS			
P	LTR	DESCRIPTION	DATE	DWN	APVD
GP	00	M	REVISED PER ECO-12-011709	26JUN2012	RW SY



- 1. BRIGHT TIN-LEAD .000100 MIN THK OVER NICKEL ON ENTIRE CONTACT.
- 2. .000050 MIN THK NICKEL OVER ENTIRE CONTACT.
- 3. RECOMMENDED HOLE SIZE: .030-.034 DIA.
- 4. GOLD FLASH IN CRIMP AREA .000100 MIN TIN IN SOLDER TAB AREA, BOTH OVER NICKEL.
- 5. GOLD PLATING MAY OR MAY NOT BE PRESENT ON THE BOTTOM OF THE CRIMP BARREL IN THIS AREA,



.210	.440	2 4	1-487137-1
.210	.440	1 2	487137-8
D	B	FINISH	PART NO

THIS DRAWING IS A CONTROLLED DOCUMENT.		DWN	D.PHIPPS	3-10-86	Tyco Electronics Corporation Harrisburg, PA 17105-3608
DIMENSIONS: INCHES		CHK	D.SINK	3-11-86	
TOLERANCES UNLESS OTHERWISE SPECIFIED:		APVD	-	-	NAME
0 PLC	± -	PRODUCT SPEC		CONTACT, SOLDER TAB, FFC	
1 PLC	± -	APPLICATION SPEC		-	
2 PLC	± -	108-9024		SIZE	CAGE CODE
3 PLC	± .005	114-16015		A2	00779
4 PLC	± -	WEIGHT		DRAWING NO	
ANGLES	± -	CUSTOMER DRAWING		C=487137	
FINISH	SEE TABLE	SCALE		RESTRICTED TO	
		NTS		-	
		SHEET		REV	
		1 of 1		M	

487137