

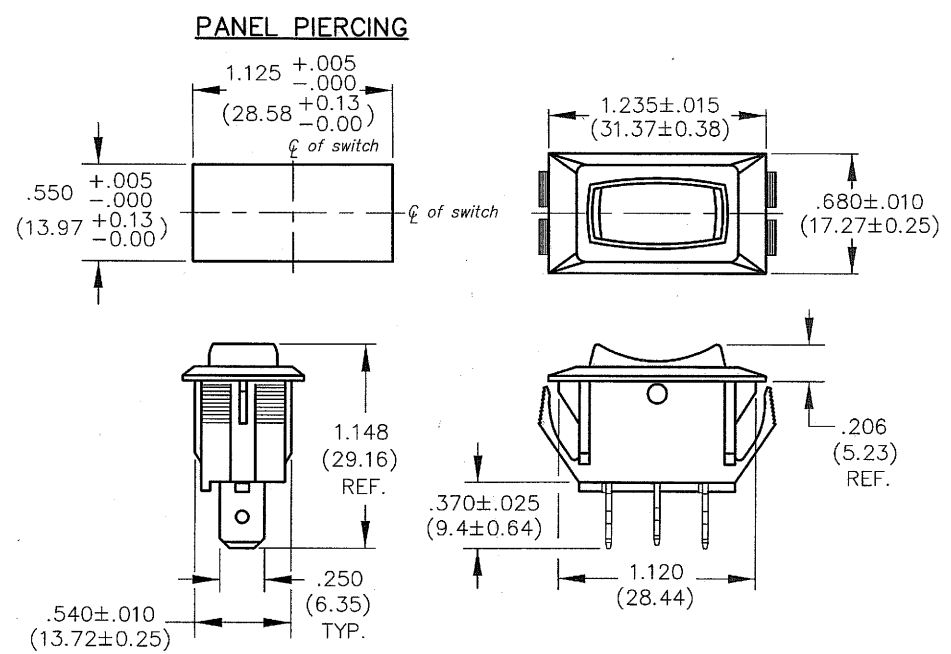
E
 D
 C
 B
 A

THIS INFORMATION IS CONFIDENTIAL AND PROPRIETARY TO CW INDUSTRIES INCORPORATED AND ITS AFFILIATES. IT MAY NOT BE DISCLOSED TO ANYONE OTHER THAN CW INDUSTRIES PERSONNEL, WITHOUT WRITTEN AUTHORIZATION FROM CW INDUSTRIES INCORPORATED, SOUTHAMPTON, PENNSYLVANIA USA.

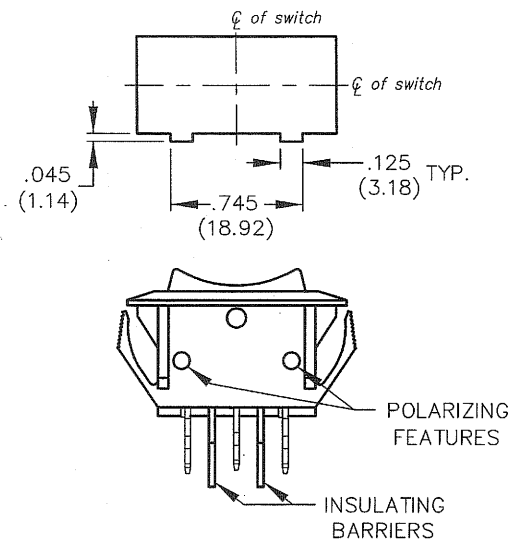
DIMENSIONS IN INCHES (MILLIMETERS)
 DO NOT SCALE DRAWING
 Dwg. No. **GRS-2013A-2XXX**

PANEL THICKNESS
 .025" to .180"
 (0.64mm to 4.57mm)

OPTIONS:



POLARIZED PANEL PIERCING



TERMINAL OPTIONS:

.250" Wide Terminal is standard as Shown in drawing.
 .187" Wide Terminal is optional.

	1	2	3	4	5	6	7	8	9	10																																				
B-FORMAT 2002 REVISIONS RELEASED: DGW OCT 23 2010								PDF FILE MADE	<table border="1" style="width: 100%; border-collapse: collapse;"> <tr> <td colspan="2" style="text-align: center;">CW INDUSTRIES</td> <td colspan="2">Southampton, Pa. 18966</td> </tr> <tr> <td colspan="4" style="text-align: center; font-size: small;">TOLERANCES UNLESS OTHERWISE SPECIFIED</td> </tr> <tr> <td style="font-size: x-small;">2 Place Decimal ±.010</td> <td colspan="2" style="font-size: x-small;">METRIC</td> <td></td> </tr> <tr> <td style="font-size: x-small;">3 Place Decimal ±.005</td> <td style="font-size: x-small;">1 Place Dec. ±.25mm</td> <td colspan="2"></td> </tr> <tr> <td style="font-size: x-small;">Angles ±1°</td> <td style="font-size: x-small;">2 Place Dec. ±.13mm</td> <td colspan="2"></td> </tr> <tr> <td colspan="2">Made for: CW IND.</td> <td colspan="2">Division: SWITCH</td> </tr> <tr> <td colspan="2">Drawn by: DGW 7-27-2010</td> <td colspan="2">Dwg. No. GRS-2013A-2XXX</td> </tr> <tr> <td colspan="2">Checked by: G. Guld 8-16-10</td> <td colspan="2"></td> </tr> <tr> <td colspan="2">Approval: <i>Edward P. Paul</i> 8-18-10</td> <td colspan="2"></td> </tr> </table>		CW INDUSTRIES		Southampton, Pa. 18966		TOLERANCES UNLESS OTHERWISE SPECIFIED				2 Place Decimal ±.010	METRIC			3 Place Decimal ±.005	1 Place Dec. ±.25mm			Angles ±1°	2 Place Dec. ±.13mm			Made for: CW IND.		Division: SWITCH		Drawn by: DGW 7-27-2010		Dwg. No. GRS-2013A-2XXX		Checked by: G. Guld 8-16-10				Approval: <i>Edward P. Paul</i> 8-18-10			
CW INDUSTRIES		Southampton, Pa. 18966																																												
TOLERANCES UNLESS OTHERWISE SPECIFIED																																														
2 Place Decimal ±.010	METRIC																																													
3 Place Decimal ±.005	1 Place Dec. ±.25mm																																													
Angles ±1°	2 Place Dec. ±.13mm																																													
Made for: CW IND.		Division: SWITCH																																												
Drawn by: DGW 7-27-2010		Dwg. No. GRS-2013A-2XXX																																												
Checked by: G. Guld 8-16-10																																														
Approval: <i>Edward P. Paul</i> 8-18-10																																														
								Title: CENTER OFF ROCKER SWITCH ASSEMBLY S.P.D.T. WITH OPTIONS 1.125 x .550 PANEL																																						

MASTER