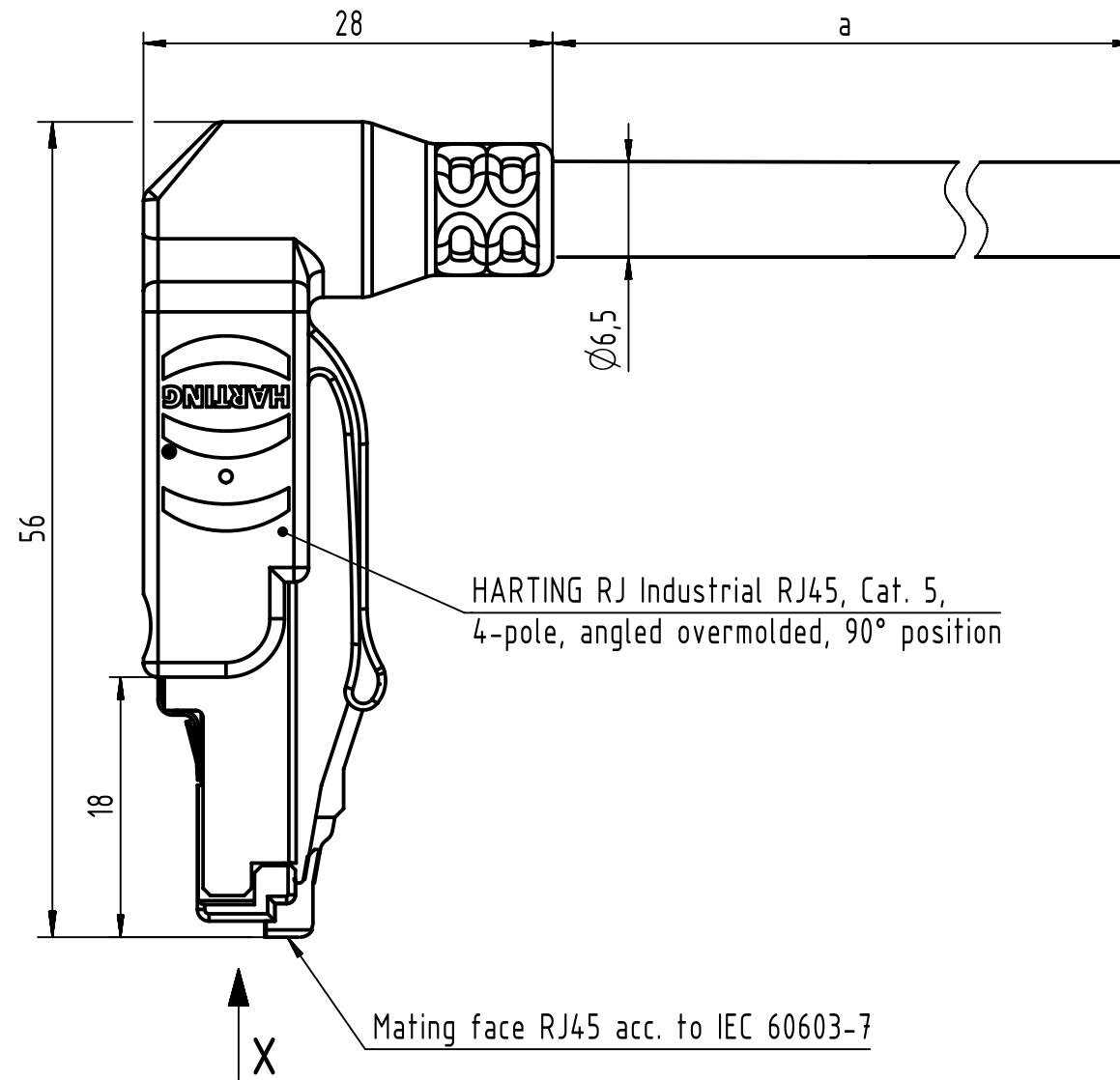


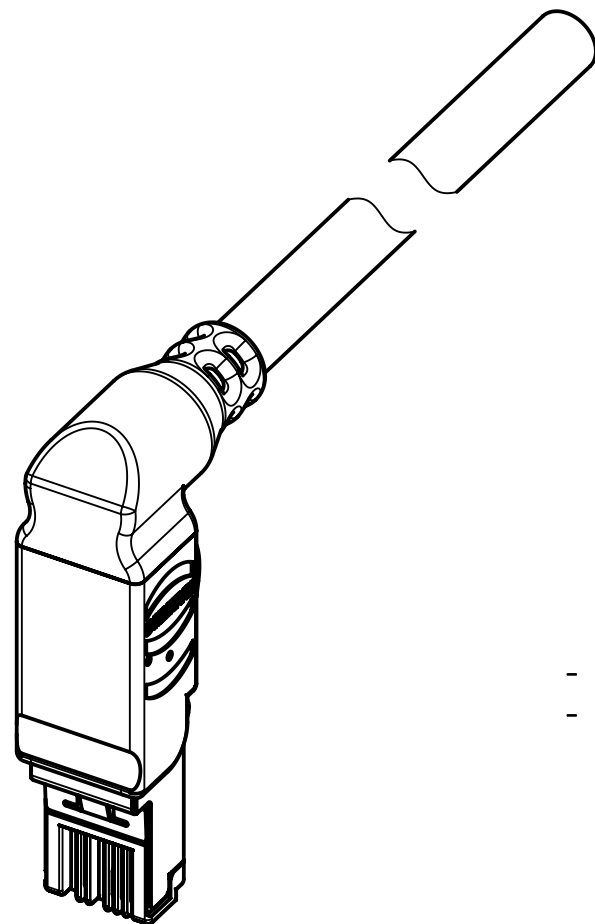
Connector Location A

Connector Location B



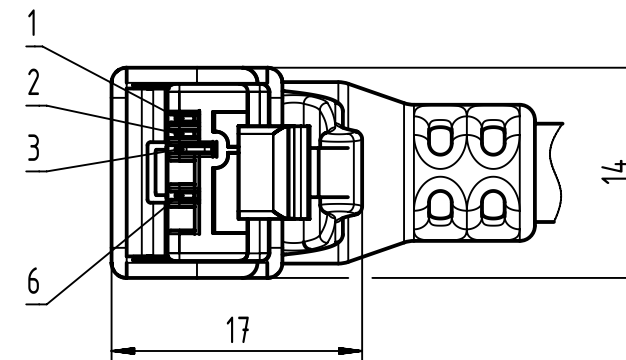
HARTING RJ Industrial RJ45, Cat. 5,
4-pole, angled overmolded, 90° position

Mating face RJ45 acc. to IEC 60603-7

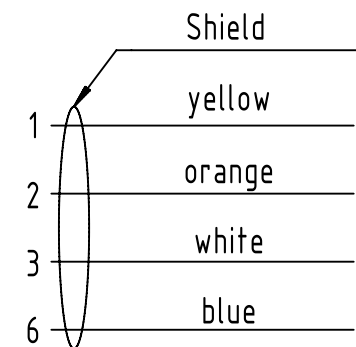


- Protection level: IP20
- Temperature range: -40°C ... +70°C

X
male



Loading Plan



All Dimensions in mm		Tech. Character.		Free size tol.		According to production drawing	
	All rights reserved	Created by STOCHECIC Stochei	Inspected by COSTEA Costea	Standardisation MUNTEANV Muntean	Date 2019-08-08	State Final Release	
	Department HCS - RO	Title RJ Industrial Cable Assembly				Doc-Key / ECM-Nr. 100155463/UGD/013/D 500000156279	
HARTING Customised Solutions D-32339 Espelkamp		Type TB	Number 09470400XXX			Rev. D	Page 1/2

1	2	3	4	5	6	7	8			
				90	09470400088			100		
				89	09470400087			90		
				88	09470400086			80		
				87	09470400085			70		
				86	09470400084			60		
				85	09470400083			50		
				84	09470400082			40		
				83	09470400081			30		
				82	09470400080			20		
				81	09470400079			15		
				80	09470400078			10		
				79	09470400077	RJl Ethernet Stranded Cable, 4xAWG 22/7, PVC outdoor, Cat. 5+, black		9		
				78	09470400076			8		
				77	09470400075			7		
				76	09470400074			6		
				75	09470400073			5		
				74	09470400072			4		
				73	09470400071			3		
				72	09470400070			2		
				71	09470400069			1.5		
				70	09470400068			1		
				69	09470400067	0.5				
				68	09470400066	RJl Ethernet Trailing Cable, 4xAWG 22/7, PUR, Cat. 5+, green		100		
				67	09470400065			90		
				66	09470400064			80		
				65	09470400063			70		
				64	09470400062			60		
				63	09470400061			50		
				62	09470400060			40		
				61	09470400059			30		
				60	09470400058			20		
				59	09470400057			15		
				58	09470400056	10				
				57	09470400055	9				
				56	09470400054	8				
				55	09470400053	7				
				54	09470400052	6				
				53	09470400051	5				
				52	09470400050	4				
				51	09470400049	3				
				50	09470400048	2				
				49	09470400047	1.5				
				48	09470400046	1				
				47	09470400045	0.5				
				46	09470400145	0.3				
				Cont. no.	Part no.	Type of cable	Dim. a[m]			
					All Dimensions in mm	Tech. Character.	Free size tol.	According to production drawing		
					All rights reserved Department HCS - RO	Created by STOCHECIC Stocheci	Inspected by COSTEA Costea	Standardisation MUNTEANV Muntean	Date 2019-08-08	State Final Release
				HARTING Customised Solutions D-32339 Espelkamp		Title RJ Industrial Cable Assembly		Doc-Key / ECM-Nr. 100155463/UGD/013/D 500000156279		
				Type	TB	Number	09470400XXX	Rev.	D	
								Page	2/2	
45	09470400044		100							
44	09470400043		90							
43	09470400042		80							
42	09470400041		70							
41	09470400040		60							
40	09470400039		50							
39	09470400038		40							
38	09470400037		30							
37	09470400036		20							
36	09470400035		15							
35	09470400134	RJl Ethernet Stranded Cable, 4xAWG 22/7, PVC, Cat. 5+, green	12							
34	09470400034		10							
33	09470400033		9							
32	09470400032		8							
31	09470400031		7							
30	09470400030		6							
29	09470400029		5							
28	09470400028		4							
27	09470400027		3							
26	09470400026		2							
25	09470400025	1.5								
24	09470400024	1								
23	09470400023	0.5								
22	09470400022		100							
21	09470400021		90							
20	09470400020		80							
19	09470400019		70							
18	09470400018		60							
17	09470400017		50							
16	09470400016		40							
15	09470400015		30							
14	09470400014		20							
13	09470400013		15							
12	09470400012	RJl Ethernet Standard Cable, 4xAWG 22/1, PVC, Cat. 5+, green	10							
11	09470400011		9							
10	09470400010		8							
9	09470400009		7							
8	09470400008		6							
7	09470400007		5							
6	09470400006		4							
5	09470400005		3							
4	09470400004		2							
3	09470400003		1.5							
2	09470400002	1								
1	09470400001	0.5								
Cont. no.	Part no.	Type of cable	Dim. a[m]							