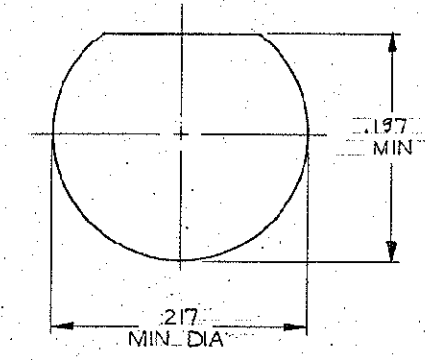
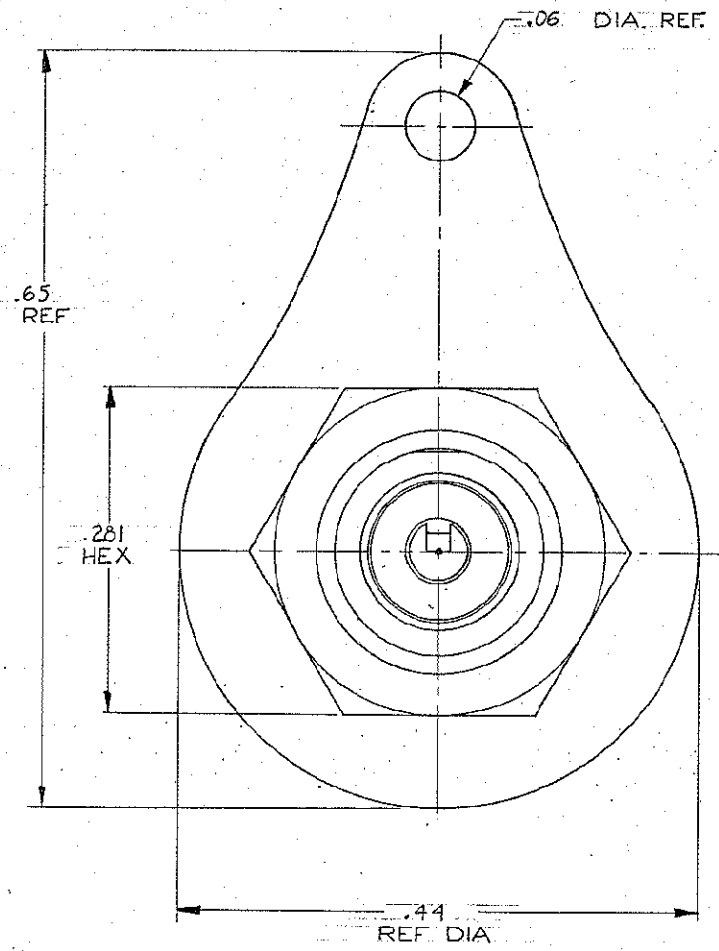
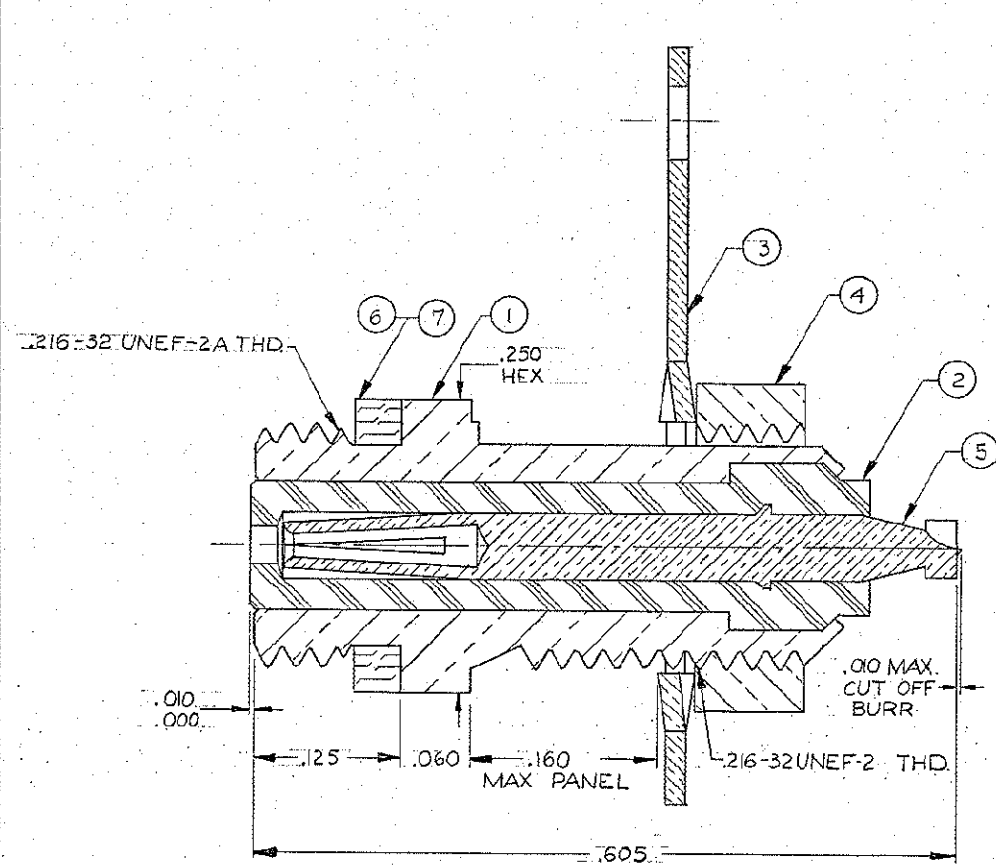


REVISIONS					
ZONE	LTR	ECN	DESCRIPTION	DATE	APPROVED
B		25090	REV. & REDRAWN ORIGINAL 9-4-64 BY GM. & J.L.	7/24/80	<i>Pr 8</i>



MOUNTING HOLE DIMENSIONS

- NOTES: UNLESS OTHERWISE SPECIFIED
- THIS CONNECTOR MATES WITH ALL PLUGS IN SERIES 5-70 AS LISTED IN MALCO CATALOG.
  - ALL METAL PARTS ARE GOLD PLATED PER MIL-G-45204, TYPE II GRADE C, CLASS I.
  - THIS CONNECTOR IS IDENTICAL TO 031-0051-0001 EXCEPT FOR PLATING.

FINISH	DASH NO.	PART OR IDENTIFYING NO.	DESCRIPTION	MATERIAL	ITEM
		003-0267-0001	GASKET	SILICONE RUBBER PER ZZ-R-765	7
		003-0073-0001	GASKET	NEOPRENE PER MIL-R-3065	6
		003-1315-0002	SOCKET CONTACT	BERYLLIUM COPPER PER QQ-C-530	5
		003-0061-0002	HEX NUT	BRASS PER QQ-B-626	4
		003-0304-0002	SHAKE PROOF LUG	PHOSPHOR BRONZE PER QQ-B-750	3
		000-0301-0048	INSULATOR	TEFLON PER L-P-403	2
		000-1601-0109	HOUSING	BRASS PER QQ-B-626	1

UNLESS OTHERWISE SPECIFIED DIMENSIONS ARE IN INCHES TOLERANCES ARE:		CONTRACT NO.		MALCO A MICRODOT COMPANY, INC. 306 PASADENA AVE., SO. PASADENA, CALIF. 91030	
FRACTIONS ±	DECIMALS .XX ±	ANGLES ±	APPROVALS	DATE	RECEPTACLE, BULKHEAD, GOLDEN CRIMP, 70 OHM
	.XXX ± .010		DRAWN <i>Ortil Ponce</i>	5-9-80	PROD. CODE 941
MATERIAL	NOTED		CHECKED <i>24H</i>	7-22-80	CODE CDM
FINISH	NOTED		PR. ENG. <i>Mytunney</i>	7-23-80	
NEXT ASSY	USED ON		APPD.		
APPLICATION	DO NOT SCALE DRAWING				
			These drawings and specifications are the property of Microdot Inc. and shall not be divulged, reproduced or copied, or used as the basis for the manufacture or sale of any article without written permission of Microdot Inc.	SIZE C	CODE IDENT NO. 98278
				DRAWING NO. 131-0202-000*	
				SCALE 10x1	SHEET 1 OF 1

BISHOP GRAPHICS/ACUPRESS RECORDER NO. 2197