

2081005-1 ✓ ACTIVE



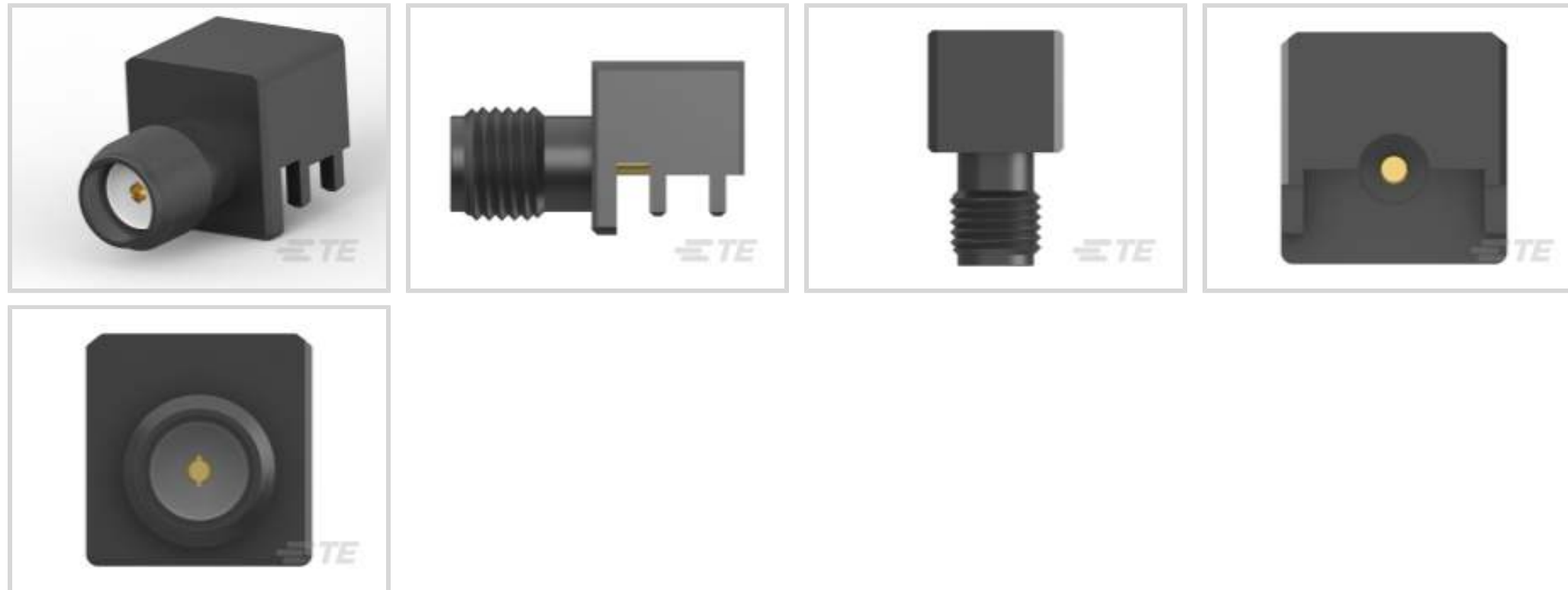
## AMP SMA

TE Internal #: 2081005-1

SMA RF Interface, Jack, 50  $\Omega$ , Screw, 11 GHz Operating Frequency,  
Cable-to-Board, 1 Position, Printed Circuit Board, Panel Mount,  
AMP SMA

[View on TE.com >](#)

Connectors > RF Connectors > Coax Connectors



RF Interface: **SMA**

RF Connector Style: **Jack**

RF Connector Mated Outer Diameter (Approximate): **6.35 mm [ .25 in ]**

Impedance: **50  $\Omega$**

RF Connector Coupling Mechanism: **Screw**

## Features

### Product Type Features

Connector Product Type	Connector Assembly
RF Interface	SMA
RF Connector Style	Jack
Connector System	Cable-to-Board
Sealable	No
Connector & Contact Terminates To	Printed Circuit Board

### Configuration Features

PCB Mount Orientation	Right Angle
Number of Positions	1
Number of Coaxial Contacts	1

### Electrical Characteristics

Impedance	50 $\Omega$
-----------	-------------

### Body Features

Body Material	Zinc
---------------	------



Body Material Finish	Bright
----------------------	--------

Body Plating Material	Tin
-----------------------	-----

### Contact Features

RF Connector Center Contact Underplating Material	Nickel
---	--------

RF Connector Contact Configuration	Not Captivated
------------------------------------	----------------

RF Connector Center Contact Plating Material	Gold
--	------

RF Connector Center Contact Material	Beryllium Copper
--------------------------------------	------------------

### Termination Features

Termination Post & Tail Length	2.92 mm[.115 in]
--------------------------------	------------------

Termination Method to Printed Circuit Board	Through Hole - Solder
---	-----------------------

### Mechanical Attachment

RF Connector Coupling Mechanism	Screw
---------------------------------	-------

Connector Mounting Type	Panel Mount
-------------------------	-------------

RF Contact Captivation Method	Mechanical
-------------------------------	------------

Detent	Without
--------	---------

### Dimensions

Profile Height from PCB	9.68 mm[.381 in]
-------------------------	------------------

Product Length	16.4 mm[.646 in]
----------------	------------------

RF Connector Mated Outer Diameter (Approximate)	6.35 mm[.25 in]
---	-----------------

### Usage Conditions

Operating Temperature Range	-65 – 165 °C[-85 – 329 °F]
-----------------------------	----------------------------

### Operation/Application

Operating Frequency	11 GHz
---------------------	--------

### Packaging Features

Packaging Quantity	250
--------------------	-----

Packaging Method	Reel
------------------	------

### Other

Dielectric Material	PTFE
---------------------	------

### Product Compliance

For compliance documentation, visit the product page on [TE.com](https://www.te.com)>



EU RoHS Directive 2011/65/EU	Compliant with Exemptions
EU ELV Directive 2000/53/EC	Compliant with Exemptions
China RoHS 2 Directive MIIT Order No 32, 2016	Restricted Materials Above Threshold
EU REACH Regulation (EC) No. 1907/2006	<p>Current ECHA Candidate List: JUNE 2023 (235)</p> <p>Candidate List Declared Against: JUNE 2022 (224)</p> <p>SVHC &gt; Threshold:</p> <p>Pb (4% in Component part)</p> <p><b>Article Safe Usage Statements:</b> Do not eat, drink or smoke when using this product. Wash thoroughly after handling. Recycle if possible and dispose of the article by following all applicable governmental regulations relevant to your geographic location.</p>
Halogen Content	Low Halogen - Br, Cl, F, I < 900 ppm per homogenous material. Also BFR/CFR/PVC Free
Solder Process Capability	Reflow solder capable to 260°C

Product Compliance Disclaimer

This information is provided based on reasonable inquiry of our suppliers and represents our current actual knowledge based on the information they provided. This information is subject to change. The part numbers that TE has identified as EU RoHS compliant have a maximum concentration of 0.1% by weight in homogenous materials for lead, hexavalent chromium, mercury, PBB, PBDE, DBP, BBP, DEHP, DIBP, and 0.01% for cadmium, or qualify for an exemption to these limits as defined in the Annexes of Directive 2011/65/EU (RoHS2). Finished electrical and electronic equipment products will be CE marked as required by Directive 2011/65/EU. Components may not be CE marked. Additionally, the part numbers that TE has identified as EU ELV compliant have a maximum concentration of 0.1% by weight in homogenous materials for lead, hexavalent chromium, and mercury, and 0.01% for cadmium, or qualify for an exemption to these limits as defined in the Annexes of Directive 2000/53/EC (ELV). Regarding the REACH Regulation, the information TE provides on SVHC in articles for this part number is based on the latest European Chemicals Agency (ECHA) 'Guidance on requirements for substances in articles' posted at this URL: <https://echa.europa.eu/guidance-documents/guidance-on-reach>

## Compatible Parts



TE Part # 1052566-1  
2052 1618 02,SMA FM JACK RECPT



TE Part # 1050548-1  
2001 5032 02



TE Part # 1052422-1  
2052 0000 02,SMA FM JACK RECPT



TE Part # 1050524-1  
2001 5003 00,SMA CABLE PLUG




TE Part # 1050859-1  
2002 5016 00



TE Part # 1052098-1  
2037 5100 02



TE Part # 1052552-1  
2052 1352 02,SMA FM JACK RECPT



TE Part # 1050547-1  
2001 5032 00



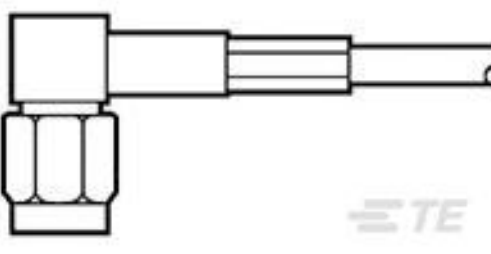
TE Part # 1050525-1  
2001 5003 02,SMA CABLE PLUG



TE Part # 1408541-1  
PUSH ON SMA CABLE PLUG




TE Part # 1052902-1  
2052 5674 02



TE Part # 1-447651-0  
PLUG R/A,SMA,HEX CRIMP COMM



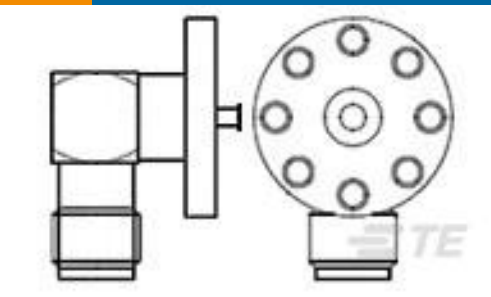
TE Part # 1050999-3  
SMA S/T JACK RG195 CABLE,CRIMP END



TE Part # 1051643-3  
SMA STRAIGHT PLUG CABLE END



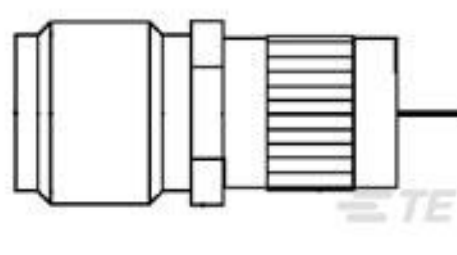
TE Part # 1051933-3  
OSM STRAIGHT JACK



TE Part # 1053438-1  
2068 5156 00



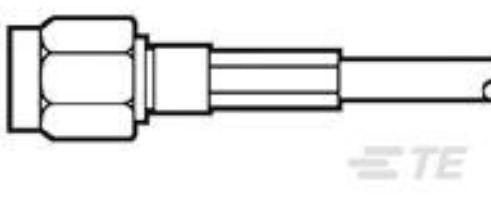
TE Part # 1253729-1  
2837 7316 00



TE Part # 1311167-1  
2058 5573 36




TE Part # 1408442-3  
SMA STRAIGHT PLUG CABLE END




TE Part # 6082034-1  
2231 7388 36


Also in the Series | AMP SMA




Battery Holders(1)



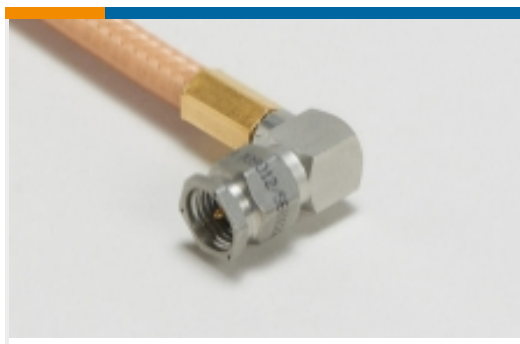
Coax Connectors(296)



Connector Savers & Adapters(12)



Rack & Panel Ferrules & Inserts(1)



RF Cable Assemblies(2)



RF Connector Hardware(2)



RF Connector Launchers(8)



RF Connector Shrouds(3)



RF Terminators(1)

## Customers Also Bought



TE Part #206070-8  
CABLE CLAMP KIT #17



TE Part #DT04-2P  
REC, 2P, GRY, N



TE Part #DT06-2S  
PLG, 2P, GRY, N



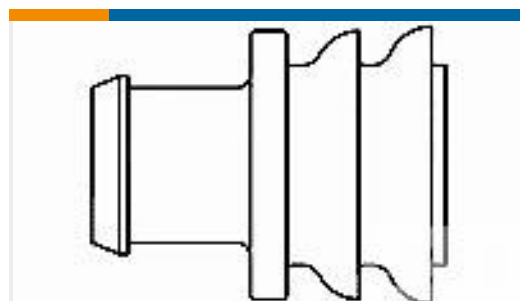
TE Part #W2P  
Wedgelocks: DEUTSCH DT



TE Part #0462-201-16141  
DEUTSCH Solid Contacts



TE Part #282104-1  
AMP SUPERSEAL 1.5MM,  
CONNECTOR HOUSING



TE Part #281934-2  
SINGLE WIRE SEAL

## Documents

### Product Drawings

[ASSY. SMA JACK PCB EDGE MOUNT](#)

English

### CAD Files

[Customer View Model](#)

[ENG\\_CVM\\_CVM\\_2081005-1\\_A.2d\\_dxf.zip](#)

English

[3D PDF](#)



3D

Customer View Model

[ENG\\_CVM\\_CVM\\_2081005-1\\_A.3d\\_igs.zip](#)

English

Customer View Model

[ENG\\_CVM\\_CVM\\_2081005-1\\_A.3d\\_stp.zip](#)

English

By downloading the CAD file I accept and agree to the [Terms and Conditions](#) of use.

---

### Datasheets & Catalog Pages

[1-1773725-8\\_RF\\_COAX\\_QRG](#)

English

---

### Product Specifications

[Product Specification](#)

English

[Product Specification](#)

English