

1-1971921-5 ✓ ACTIVE



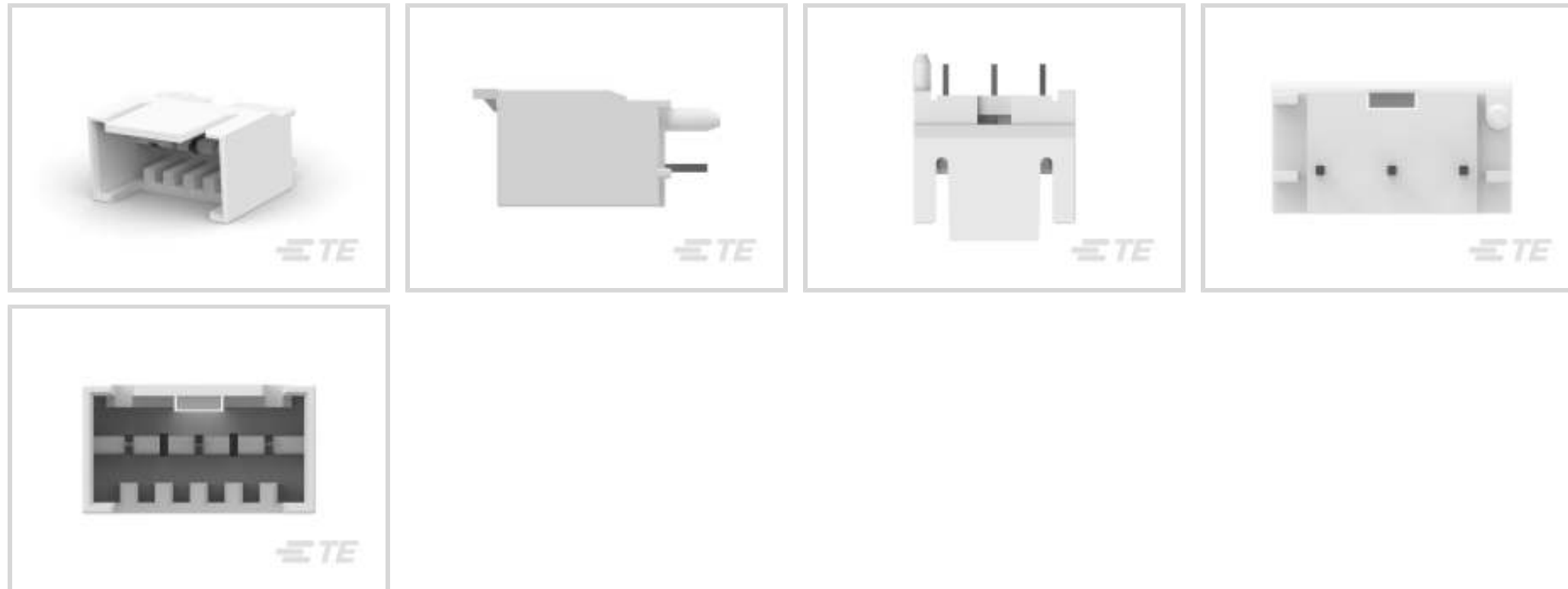
**RAST**

TE Internal #: 1-1971921-5

PCB Mount Header, Vertical, Wire-to-Board, 5 Position, 5 mm [.197 in] Centerline, Fully Shrouded, Tin, Through Hole - Solder, Signal, Natural

[View on TE.com >](#)

Connectors > PCB Connectors > PCB Headers & Receptacles



Connector System: **Wire-to-Board**

Number of Positions: **5**

Number of Rows: **1**

Centerline (Pitch): **5 mm [.197 in]**

PCB Mount Orientation: **Vertical**

**Features**

**Product Type Features**

Connector System	Wire-to-Board
Header Type	Fully Shrouded
Sealable	No
Connector & Contact Terminates To	Printed Circuit Board
PCB Connector Assembly Type	PCB Mount Header

**Configuration Features**

Number of Positions	5
Number of Rows	1
PCB Mount Orientation	Vertical

**Electrical Characteristics**

Operating Voltage	250 VAC
-------------------	---------

**Body Features**

Primary Product Color	Natural
-----------------------	---------



### Contact Features

PCB Contact Termination Area Plating Material Thickness	3.8 $\mu\text{m}$ [149.6 $\mu\text{in}$ ]
Contact Layout	Inline
Mating Tab Width	1.5 mm[.059 in]
Mating Tab Thickness	.6 mm[.024 in]
Contact Mating Area Plating Material Thickness	1.27 $\mu\text{m}$ [50.8 $\mu\text{in}$ ]
PCB Contact Termination Area Plating Material Finish	Matte
Contact Shape & Form	Square
Contact Mating Area Plating Material Finish	Matte
PCB Contact Termination Area Plating Material	Tin
Contact Base Material	Copper Alloy
Contact Mating Area Plating Material	Tin
Contact Type	Tab
Contact Current Rating (Max)	2 A

### Termination Features

Rectangular Termination Post & Tail Thickness	.6 mm[.024 in]
Rectangular Termination Post & Tail Width	.65 mm[.026 in]
Termination Post & Tail Length	2.9 mm[.11 in]
Termination Method to Printed Circuit Board	Through Hole - Solder

### Mechanical Attachment

PCB Mount Alignment Type	Locating Posts
Mating Alignment Type	Keyed
Mating Retention	With
Mating Retention Type	Latch
Connector Mounting Type	Board Mount
Mating Alignment	With
PCB Mount Alignment	With
PCB Mount Retention	Without

### Housing Features

Housing Material	6/6 Nylon GF, Nylon
Centerline (Pitch)	5 mm[.197 in]

### Dimensions

--	--

Connector Length	15.1 mm[.59 in]
Connector Height	15.5 mm[.61 in]
	.148 in

### Usage Conditions

Operating Temperature Range	-40 – 120 °C[-40 – 248 °F]
-----------------------------	----------------------------

### Operation/Application

Circuit Application	Signal
---------------------	--------

### Industry Standards

UL Flammability Rating	UL 94V-0
------------------------	----------

### Packaging Features

Packaging Quantity	180
Packaging Type	Box, Carton

### Product Compliance

[For compliance documentation, visit the product page on TE.com>](#)

EU RoHS Directive 2011/65/EU	Compliant
EU ELV Directive 2000/53/EC	Compliant
China RoHS 2 Directive MIIT Order No 32, 2016	No Restricted Materials Above Threshold
EU REACH Regulation (EC) No. 1907/2006	Current ECHA Candidate List: JUNE 2023 (235) Candidate List Declared Against: JAN 2023 (233) Does not contain REACH SVHC
Halogen Content	Not Low Halogen - contains Br or Cl > 900 ppm.
Solder Process Capability	Not reviewed for solder process capability

#### Product Compliance Disclaimer

This information is provided based on reasonable inquiry of our suppliers and represents our current actual knowledge based on the information they provided. This information is subject to change. The part numbers that TE has identified as EU RoHS compliant have a maximum concentration of 0.1% by weight in homogenous materials for lead, hexavalent chromium, mercury, PBB, PBDE, DBP, BBP, DEHP, DIBP, and 0.01% for cadmium, or qualify for an exemption to these limits as defined in the Annexes of Directive 2011/65/EU (RoHS2). Finished electrical and electronic equipment products will be CE marked as required by Directive 2011/65/EU. Components may not be CE marked. Additionally, the part numbers that TE has identified as EU ELV compliant have a maximum concentration of 0.1% by weight in homogenous materials for lead, hexavalent chromium, and mercury, and 0.01% for cadmium, or qualify for an exemption to these limits as defined in the Annexes of Directive 2000/53/EC (ELV). Regarding the REACH Regulation, the information TE provides on SVHC in articles for this part number is based on the latest European Chemicals Agency (ECHA) 'Guidance on requirements for substances in articles' posted at this URL: <https://echa.europa.eu/guidance-documents/guidance-on-reach>

## Compatible Parts



TE Part # 1-2232890-5  
5P MONOPLUG 2.5 SELECTIVELY LOADED



TE Part # 1-2352002-5  
5P MONOPLUG 2.5, SEL



TE Part # 4-966480-5  
DUOPLUG2,5FEDLEI 7P



TE Part # 8-1971817-5  
5P,RAST 2.5 Tab Header,Ex- Locking, THV



TE Part # 9-1971817-5  
5P,RAST 2.5 Tab Header,Ex- Locking, THV

## Customers Also Bought



TE Part #2-520183-2  
ULTRA-FAST 250 ASY REC 22-18 TPBR



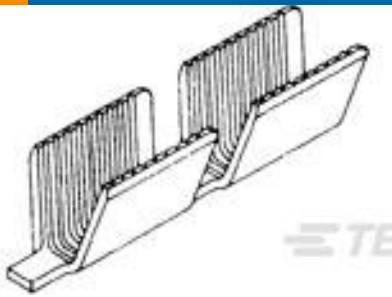
TE Part #350218-1  
UMNL PIN 20-14 .0126TPBR



TE Part #62308-2  
AMVAR SPLC 3000-7000 020TPBR



TE Part #42800-2  
187 FASTON REC 20-16 AWG TPBR



TE Part #62306-2  
AMVAR SPLC 1500-5000 020TPBR



TE Part #62304-2  
AMVAR SPLC 600-3000 020TPBR



TE Part #2-1445050-4  
MICRO MNL HDR ASSY S/ROW LF



TE Part #1-174953-1  
070 MLC CAP ASSY V 3P



TE Part #1742492-1  
BRUSH CONT TABLOCK FLAG LH 14-20AWG PBR



TE Part #293014-2  
7 POS. FASTIN FASTON TAB HSG.



## Documents

### Product Drawings

[3/5P,RAST 2.5 Tab Header,Ex- Locking,THV](#)

English

---

### CAD Files

Customer View Model

[ENG\\_CVM\\_CVM\\_1-1971921-5\\_A.3d\\_igs.zip](#)

English

Customer View Model

[ENG\\_CVM\\_CVM\\_1-1971921-5\\_A.3d\\_stp.zip](#)

English

Customer View Model

[ENG\\_CVM\\_CVM\\_1-1971921-5\\_A.2d\\_dxf.zip](#)

English

[3D PDF](#)

3D

By downloading the CAD file I accept and agree to the [Terms and Conditions](#) of use.

---

### Datasheets & Catalog Pages

[7-1773465-3\\_RAST2.5\\_Flyer](#)

English

---

### Product Specifications

[Product Specification](#)

English

---

### Product Environmental Compliance

[MD\\_1-1971921-5\\_11142016549\\_dmtec](#)

English

[MD\\_1-1971921-5\\_11142016549\\_dmtec](#)

English

---

### Agency Approvals

[UL Report](#)

English