

4

3

2

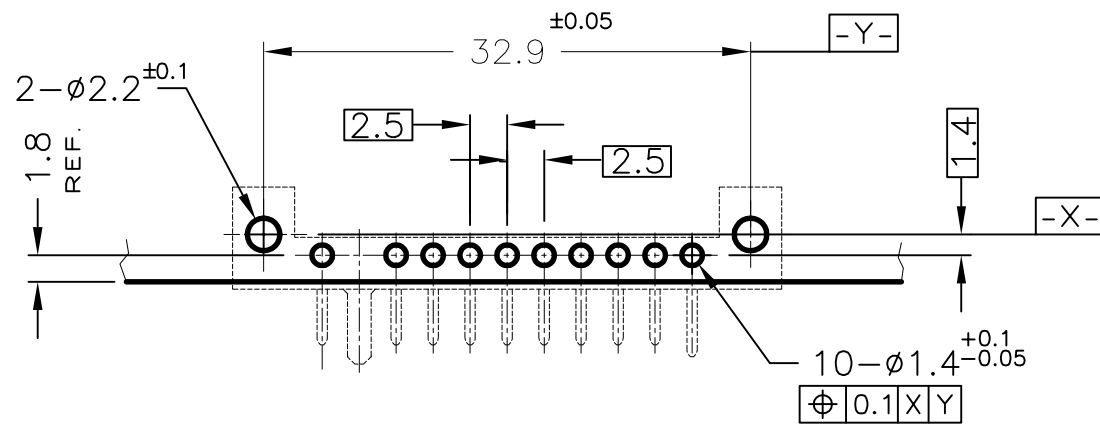
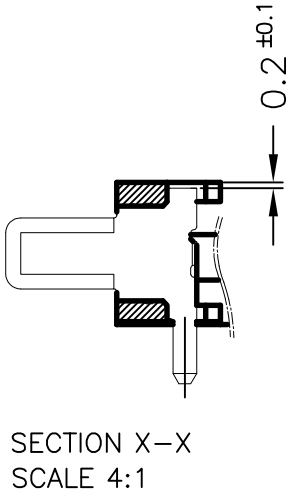
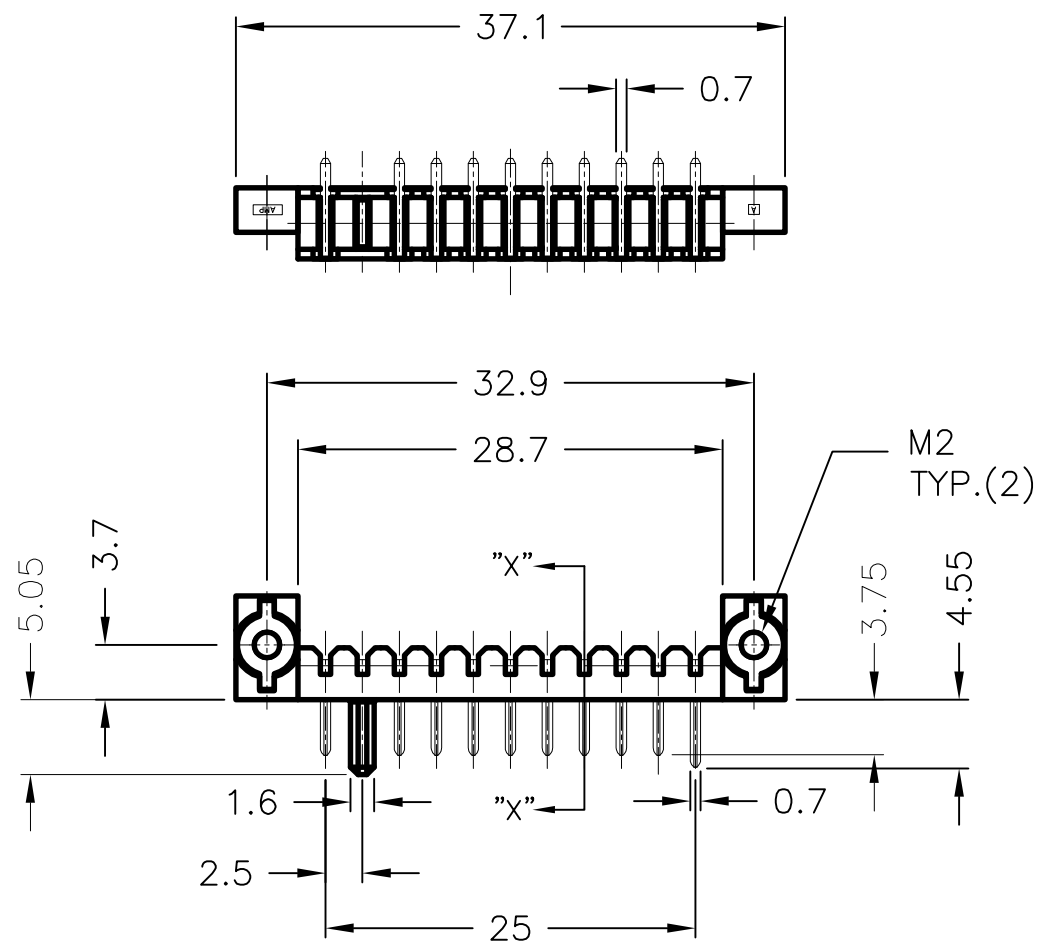
1

THIS DRAWING IS UNPUBLISHED. RELEASED FOR PUBLICATION 06 2007.
 © COPYRIGHT 2007 BY TYCO ELECTRONICS CORPORATION. ALL RIGHTS RESERVED.

LOC		DIST		REVISIONS			
P	LTR	DESCRIPTION		DATE	DWN	APVD	
ES	00	E		REVISED PER ECR-10-011717	30MAY2010	S.W	S.Y

D

D



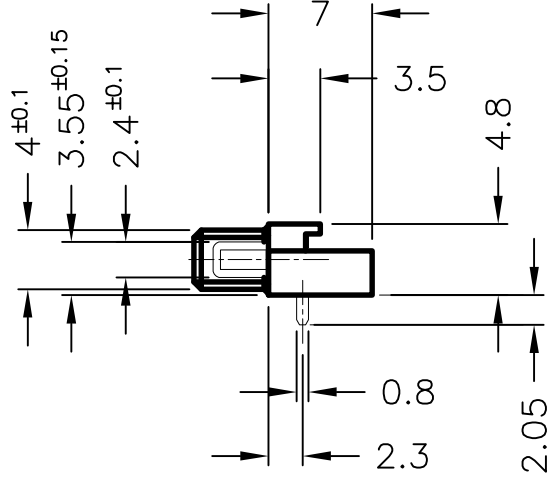
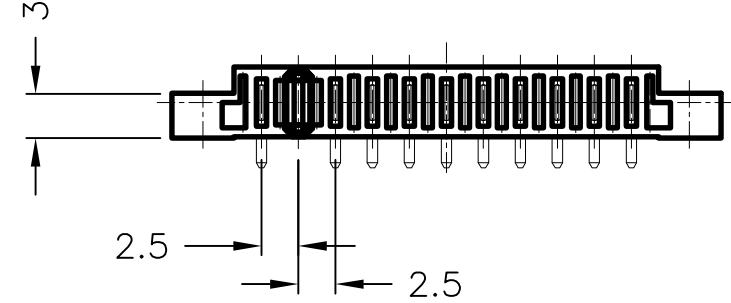
REFERENCE P.C. BOARD LAYOUT
 P.C. BOARD THK 0.8~1.2
 (VIEW FROM CONNECTOR MOUNTING SIDE)

C

C

B

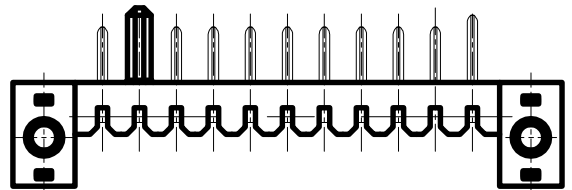
B



- ① MATERIAL HOUSING : LCP, UL94V-0
 COLOR ; BLACK
 CONTACT : COPPER ALLOY
 NUT PLATE : STAINLESS STEEL
- ② FINISH CONTACT : Ni ALL OVER UNDER PL
 Au PL. 0.3 μm MIN. AT CONTACT AREA
 Au FLASH PL. AT LEAD AREA

A

A



THIS DRAWING IS A CONTROLLED DOCUMENT.		DWN T.KATANO 12JUL07	Tyco Electronics Corporation Shanghai, P.R.China, 200233	
DIMENSIONS: mm		CHK K.IKEGAMI 12JUL07	NAME 2.5mm PITCH BATTERY CONNECTOR (10POS.) PLUG ASSY REVERSE TYPE	
TOLERANCES UNLESS OTHERWISE SPECIFIED: 0-PLC ± 0.15 1-PLC ± 2-PLC ± 3-PLC ± 4-PLC ± ANGLES ± 3'		APVD K.IKEGAMI 12JUL07	PRODUCT SPEC 108-5775	
MATERIAL ①		APPLICATION SPEC -		RESTRICTED TO -
FINISH ②		WEIGHT -	SIZE A3	CAGE CODE 00779
		DRAWING NO C=2013098		SCALE 2:1
CUSTOMER DRAWING		SHEET 1 of 3		REV E

4

3

2

1

THIS DRAWING IS UNPUBLISHED.

RELEASED FOR PUBLICATION

06 2007.

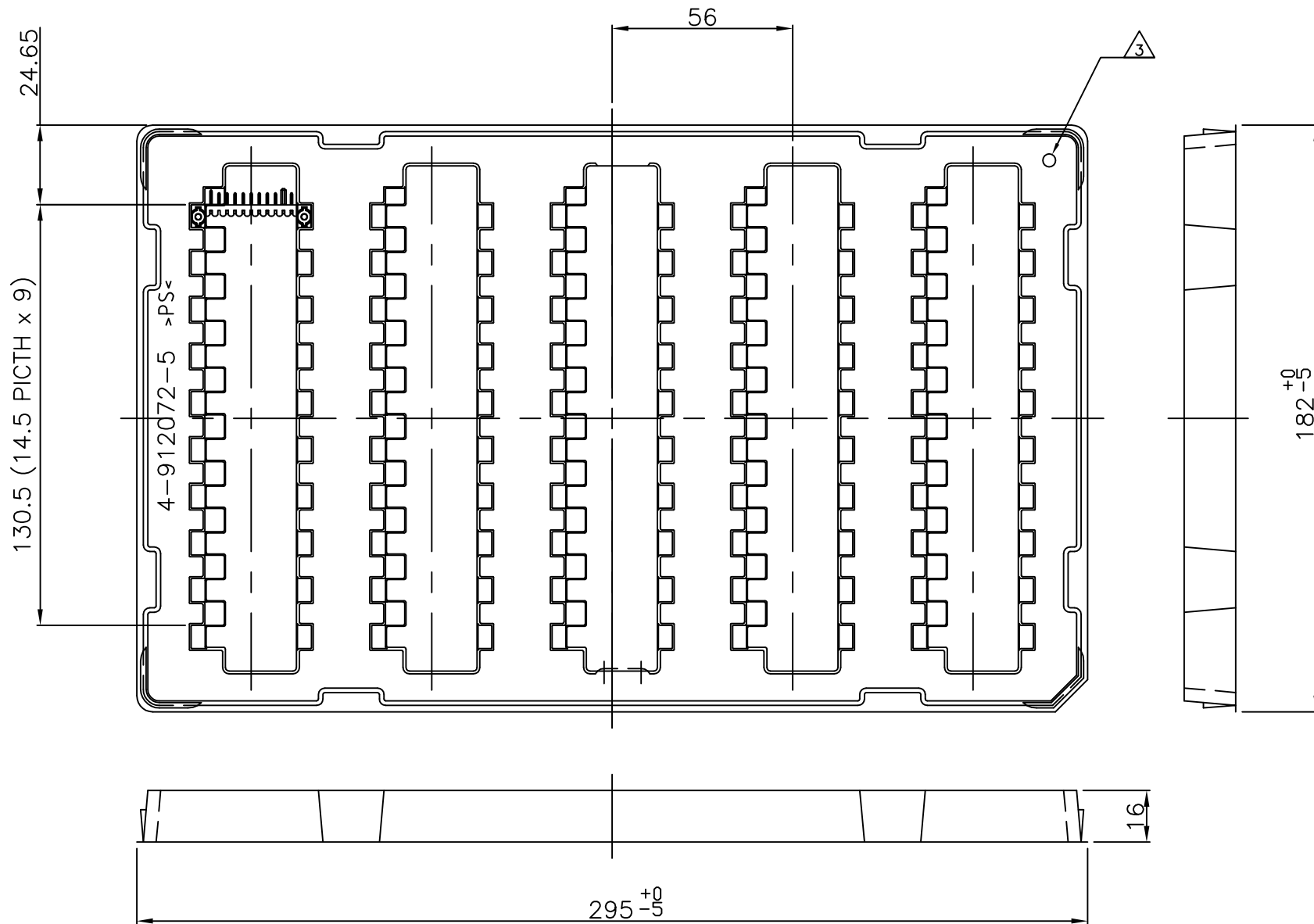
© COPYRIGHT 2007 BY TYCO ELECTRONICS CORPORATION. ALL RIGHTS RESERVED.

LOC
ES 00

REVISIONS

P	LTR	DESCRIPTION	DATE	DWN	APVD
-	-	SEE SHEET 1	-	-	-

2013098-1, AS SHOWN

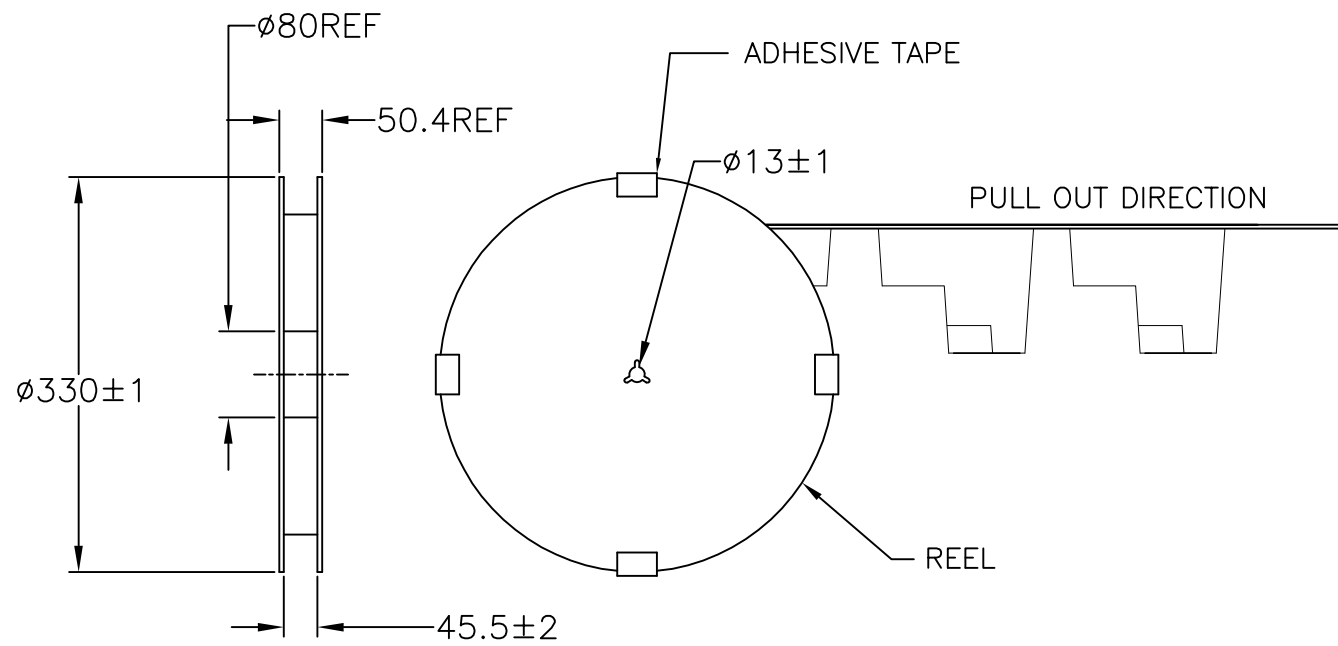


△ 3 BLACK DOT MARK.

THIS DRAWING IS A CONTROLLED DOCUMENT.		DWN T.KATANO 12JUL07	Tyco Electronics Corporation Shanghai, P.R.China, 200233	
DIMENSIONS: mm		CHK K.IKEGAMI 12JUL07	NAME 2.5mm PITCH BATTERY CONNECTOR (10POS.) PLUG ASSY REVERSE TYPE	
TOLERANCES UNLESS OTHERWISE SPECIFIED:		APVD K.IKEGAMI 12JUL07	PRODUCT SPEC	RESTRICTED TO
<ul style="list-style-type: none"> 0-PLC ± 1 1-PLC ± 1 2-PLC ± 1 3-PLC ± 1 4-PLC ± 1 ANGLES ± - FINISH - 		APPLICATION SPEC	SIZE A3	CAGE CODE 00779
MATERIAL	-	WEIGHT	DRAWING NO C=2013098	REV E
CUSTOMER DRAWING			SCALE 1:2	SHEET 2 of 3

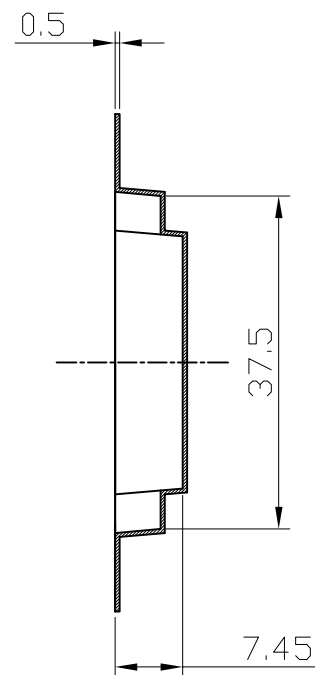
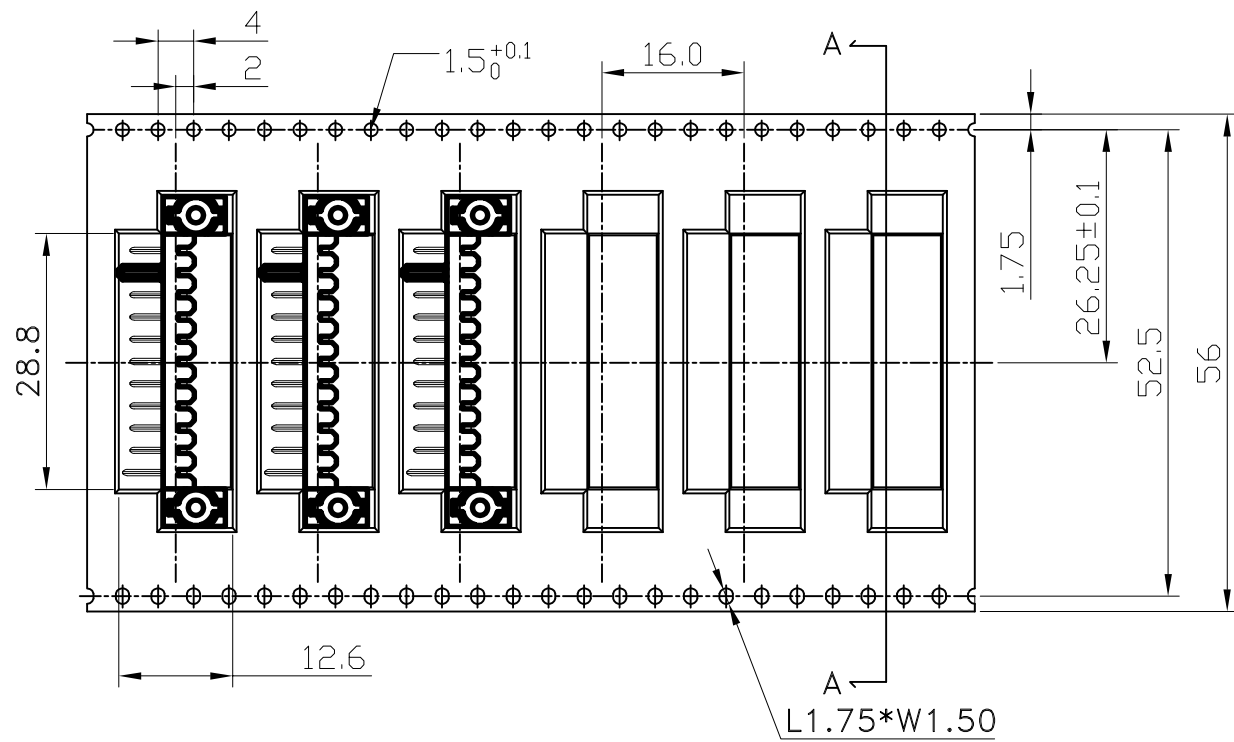
THIS DRAWING IS UNPUBLISHED. RELEASED FOR PUBLICATION 06 2007.
 © COPYRIGHT 2007 BY TYCO ELECTRONICS CORPORATION. ALL RIGHTS RESERVED.

LOC	DIST	REVISIONS			
P	LTR	DESCRIPTION	DATE	DWN	APVD
ES	00	SEE SHEET 1	-	-	-



2013098-2, AS SHOWN

1. PEELING RESISTANCE: 0.1 TO 0.7N
2. PEELING SPEED : 300MM/MINUTES
3. PRIMARY PACKING: 500 EA PER REEL



SECTION A-A

THIS DRAWING IS A CONTROLLED DOCUMENT.		DWN T.KATANO 12JUL07	Tyco Electronics Corporation Shanghai, P.R.China, 200233													
DIMENSIONS: mm		CHK K.IKEGAMI 12JUL07	NAME 2.5mm PITCH BATTERY CONNECTOR (10POS.) PLUG ASSY REVERSE TYPE													
TOLERANCES UNLESS OTHERWISE SPECIFIED:		APVD K.IKEGAMI 12JUL07	PRODUCT SPEC	RESTRICTED TO												
<table border="0"> <tr><td>0 PLC</td><td>± 0.5</td></tr> <tr><td>1 PLC</td><td>± 0.3</td></tr> <tr><td>2 PLC</td><td>± 0.3</td></tr> <tr><td>3 PLC</td><td>± 0.3</td></tr> <tr><td>4 PLC</td><td>± 0.3</td></tr> <tr><td>ANGLES</td><td>± 3'</td></tr> </table>		0 PLC	± 0.5	1 PLC	± 0.3	2 PLC	± 0.3	3 PLC	± 0.3	4 PLC	± 0.3	ANGLES	± 3'	APPLICATION SPEC	SIZE	CAGE CODE
0 PLC	± 0.5															
1 PLC	± 0.3															
2 PLC	± 0.3															
3 PLC	± 0.3															
4 PLC	± 0.3															
ANGLES	± 3'															
MATERIAL		WEIGHT	A3	00779												
FINISH		DRAWING NO		REV												
		C=2013098		E												
CUSTOMER DRAWING			SCALE	SHEET												
			2:1	3 of 3												