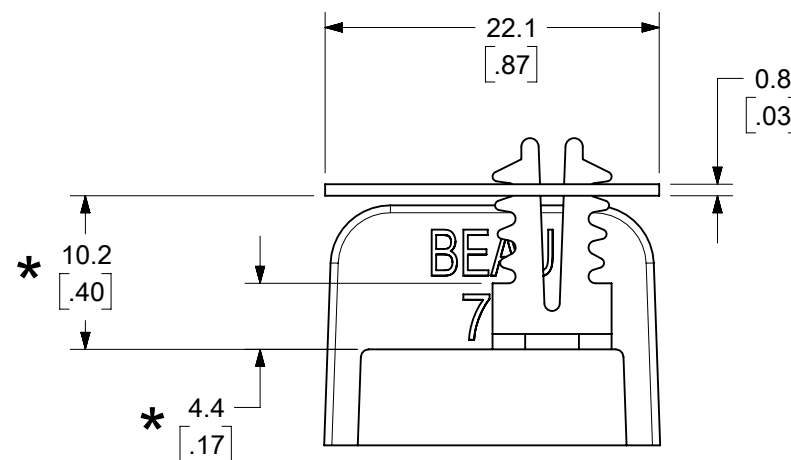
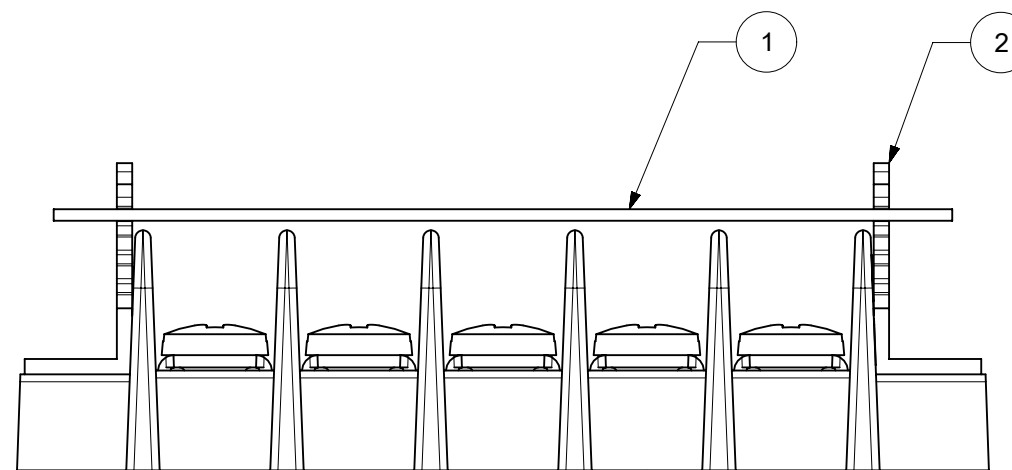
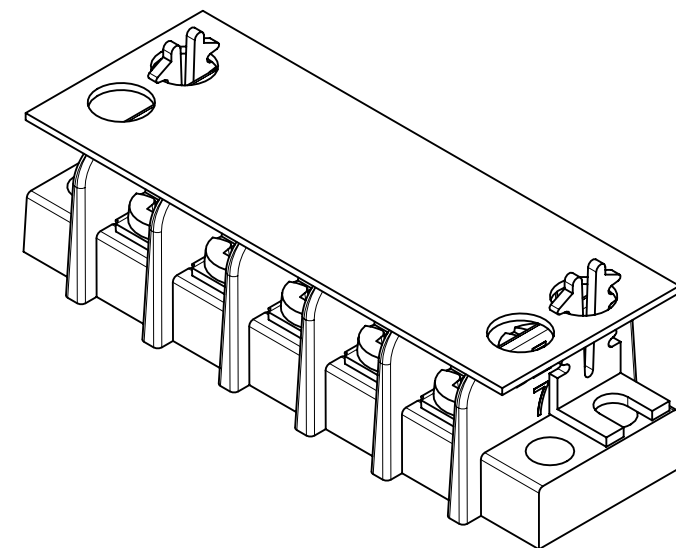
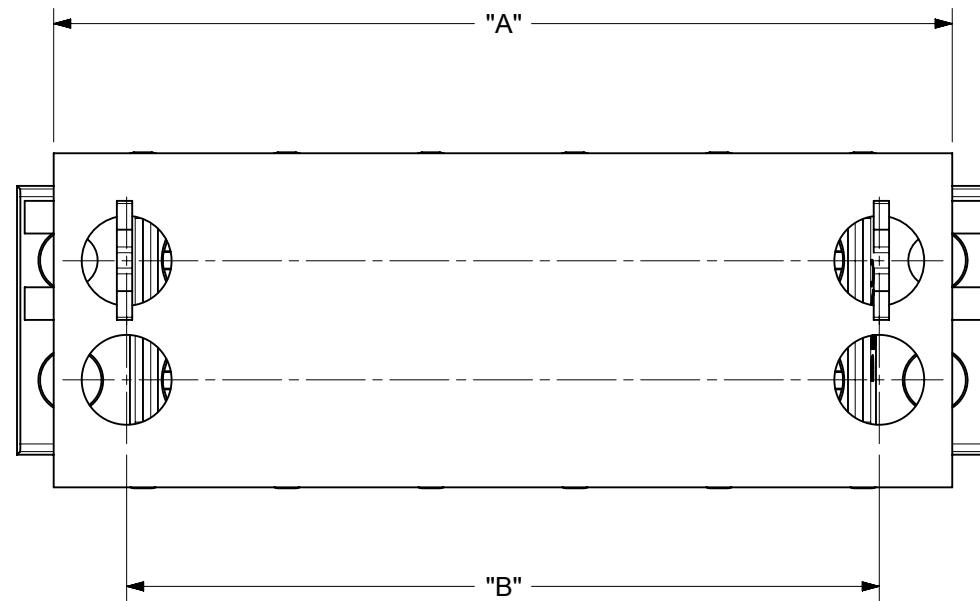


| NO. OF CIRC. | DIM "A" | | DIM "B" | | KIT MAT # |
|--------------|---------|---------|---------|---------|-----------|
| | mm | INCH | mm | INCH | |
| 2 | 31.0 | [1.22] | 21.3 | [.84] | 387736402 |
| 3 | 40.4 | [1.59] | 30.9 | [1.21] | 387736403 |
| 4 | 50.0 | [1.97] | 40.4 | [1.59] | 387736404 |
| 5 | 59.4 | [2.34] | 49.9 | [1.96] | 387736405 |
| 6 | 69.0 | [2.72] | 59.4 | [2.34] | 387736406 |
| 7 | 78.5 | [3.09] | 69.0 | [2.71] | 387736407 |
| 8 | 88.0 | [3.47] | 78.5 | [3.09] | 387736408 |
| 9 | 97.5 | [3.84] | 88.0 | [3.46] | 387736409 |
| 10 | 107.1 | [4.22] | 97.5 | [3.84] | 387736410 |
| 11 | 116.6 | [4.59] | 107.1 | [4.21] | 387736411 |
| 12 | 126.1 | [4.97] | 116.6 | [4.59] | 387736412 |
| 13 | 135.6 | [5.34] | 126.1 | [4.96] | 387736413 |
| 14 | 145.2 | [5.72] | 135.6 | [5.34] | 387736414 |
| 15 | 154.7 | [6.09] | 145.2 | [5.71] | 387736415 |
| 16 | 164.2 | [6.47] | 154.7 | [6.09] | 387736416 |
| 17 | 173.7 | [6.84] | 164.2 | [6.46] | 387736417 |
| 18 | 183.3 | [7.22] | 173.7 | [6.84] | 387736418 |
| 19 | 192.8 | [7.59] | 183.3 | [7.21] | 387736419 |
| 20 | 202.3 | [7.97] | 192.8 | [7.59] | 387736420 |
| 21 | 211.8 | [8.34] | 202.3 | [7.96] | 387736421 |
| 22 | 221.4 | [8.72] | 211.8 | [8.34] | 387736422 |
| 23 | 231.0 | [9.09] | 221.4 | [8.71] | 387736423 |
| 24 | 240.4 | [9.47] | 230.9 | [9.09] | 387736424 |
| 25 | 250.0 | [9.84] | 240.4 | [9.46] | 387736425 |
| 26 | 259.5 | [10.22] | 249.9 | [9.84] | 387736426 |
| 27 | 269.0 | [10.59] | 259.5 | [10.21] | 387736427 |
| 28 | 278.5 | [10.97] | 269.0 | [10.59] | 387736428 |
| 29 | 288.0 | [11.34] | 278.5 | [10.96] | 387736429 |
| 30 | 297.6 | [11.72] | 288.0 | [11.34] | 387736430 |



REF. 387600105 SHOWN

NOTES:

1. MATERIAL: SEE TABLE
2. FINISHES: SEE TABLE
3. PRODUCT SPECIFICATION: NOT REQUIRED
4. PARTS SUPPLIED UNASSEMBLED
5. MATES WITH: 14, 76 AND 77 SERIES BTS
6. (*) DIMENSIONS INDICATE MAX. AND MIN. COVER HEIGHT
7. ROHS COMPLIANT

| ITEM | QTY. | DESCRIPTION | MATERIAL | FINISH |
|------|------|-------------|------------------|---------|
| 2 | 2 | COVER CLIPS | ACETAL | NATURAL |
| 1 | 1 | BTS COVER | VULCANIZED FIBER | BLACK |

| TOLERANCES | | | |
|------------|-------|-----------|-------|
| MM | TOL | INCH | TOL |
| 0-6 | ±0.25 | 0-.24 | ±.010 |
| >6-30 | ±0.40 | .24-1.18 | ±.016 |
| >30-120 | ±0.50 | 1.18-4.76 | ±.020 |
| >120 | ±0.80 | >4.76 | ±.031 |

| | | | | | | | | | | | |
|---|--|--|--|----------------------------|--|---|--|-----------------|--|----------------|--|
| THIS DRAWING CONTAINS INFORMATION THAT IS PROPRIETARY TO MOLEX ELECTRONIC TECHNOLOGIES, LLC AND SHOULD NOT BE USED WITHOUT WRITTEN PERMISSION | | | | | | | | | | | |
| FUNCTIONAL SYMBOLS | | DIMENSION UNITS | | SCALE | | CURRENT REV DESC: MIGRATED TO ECTR/NX & ADDED TOLERANCE TABLE | | | | | |
| FA = 0 | | MM/INCH | | 2:1 | | <p>EC NO: 639830</p> <p>DRWN: ABENJAMINLW 2020/05/20</p> <p>CHK'D: MBRZOZOWSKI 2020/05/27</p> <p>APPR: JFMURPHY 2020/08/11</p> <p>INITIAL REVISION:</p> <p>DRWN: JENCINAS 2009/04/09</p> <p>APPR: JMACNEIL 2009/04/13</p> | | | | | |
| FE = 0 | | GENERAL TOLERANCES (UNLESS SPECIFIED) | | | | | | | | | |
| FD = 0 | | MM | | INCH | | | | | | | |
| DIVISIONAL SYMBOLS | | 4 PLACES ± --- ± --- | | 3 PLACES ± --- ± SEE CHART | | | | | | | |
| | | 2 PLACES ± SEE CHART ± SEE CHART | | 1 PLACE ± SEE CHART ± --- | | DOCUMENT NUMBER | | DOC TYPE | | DOC PART | |
| | | 0 PLACES ± --- ± --- | | ANGULAR TOL ± --- | | SD-38773-001 | | PSD | | 001 | |
| | | DRAFT WHERE APPLICABLE MUST REMAIN WITHIN DIMENSIONS | | THIRD ANGLE PROJECTION | | SERIES | | MATERIAL NUMBER | | CUSTOMER | |
| | | | | B-SIZE | | 38773 | | SEE CHART | | GENERAL MARKET | |
| | | | | | | | | | | SHEET NUMBER | |
| | | | | | | | | | | 1 OF 1 | |