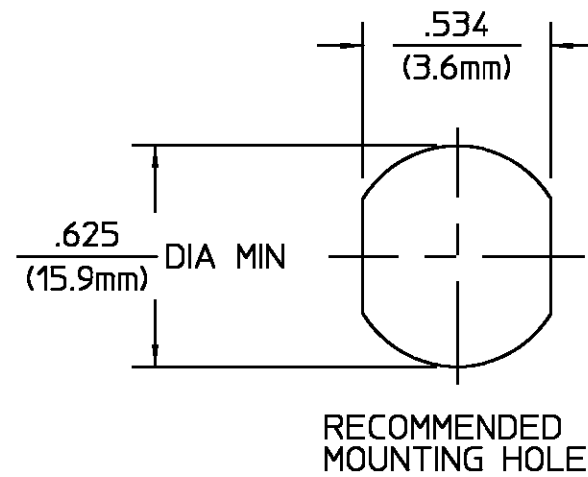
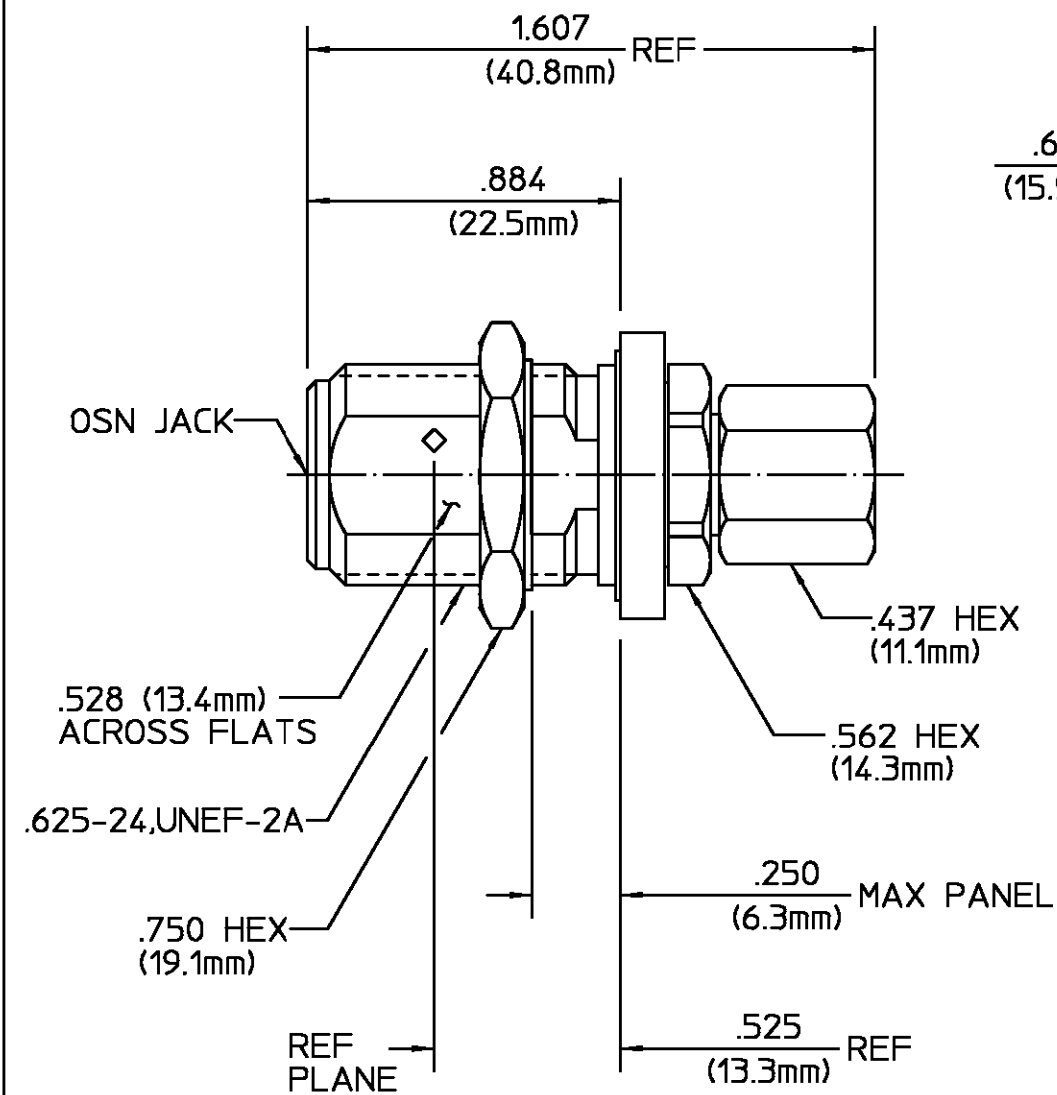


REVISIONS			
REV	DESCRIPTION	DATE	APPROVED
01 <sub>0</sub>	RELEASED	6-28-89	S.T.M.



COMPONENT	MATERIAL	FINISH
HOUSING CLAMP NUT MOUNTING NUT LOCKWASHER	STAINLESS STEEL PER ASTM-A484 AND ASTM- A582, TYPE 303	PASSIVATE PER ASTM-A380
DIELECTRIC	TFE FLUOROCARBON PER ASTM-D-1457, MIL-P-19468, AND FED. SPEC L-P-403	N/A
CENTER CONTACT BUSHING	BERYLLIUM COPPER PER QQ-C-530, ALLOY 173	GOLD PLATE PER MIL-G-45204 OVER COPPER PLATE PER MIL-C-14550
GASKET O-RING	SILICONE RUBBER PER ZZ-R-765	N/A

NOTES:

- DESIGNED FOR USE WITH  
.250 DIA SEMI-RIGID CABLE.

CABLE ENTRY DIAMETER MINIMUM	UNLESS OTHERWISE SPECIFIED DIMENSIONS ARE IN INCHES TOLERANCE ON	DRAWN BY L.ROSS	DATE 6-28-89	 AMP Incorporated 140 Fourth Avenue Waltham, MA 02451-7599
CONTACT	FRAC. DEC. ANGLES ± 1/64 ± .005 ± °	CHECKED BY C.W.	6-28-89	
	These drawings and specifications are the property of Omni Spectra Incorporated and shall not be reproduced or copied or used in whole or in part as the basis for the manufacture or sale of item(s) without written permission.	APPD BY S.T.M.	6-28-89	
		USE ASS'Y PROCEDURE	408-04898 NO. AP. (30-024)	TITLE OSN BULKHEAD FEEDTHROUGH CABLE JACK-COMPRESSION CLAMP ATTACHMENT
			SIZE B	CODE IDENT NO. 26805
			SCALE 2:1	3004-7750-02
				REV 01 <sub>0</sub>
				SHEET 1 OF 1