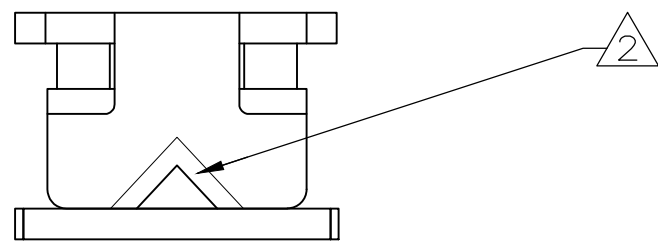
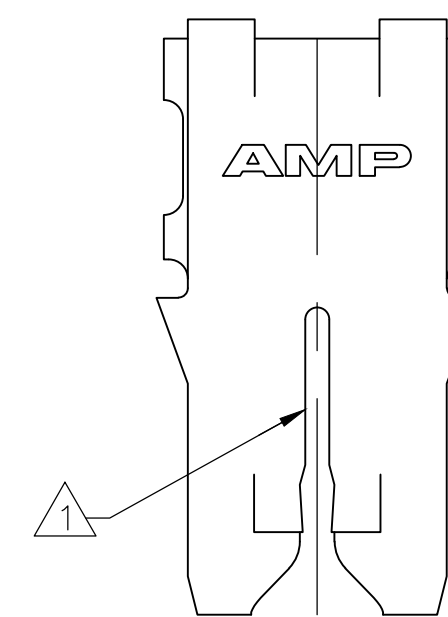
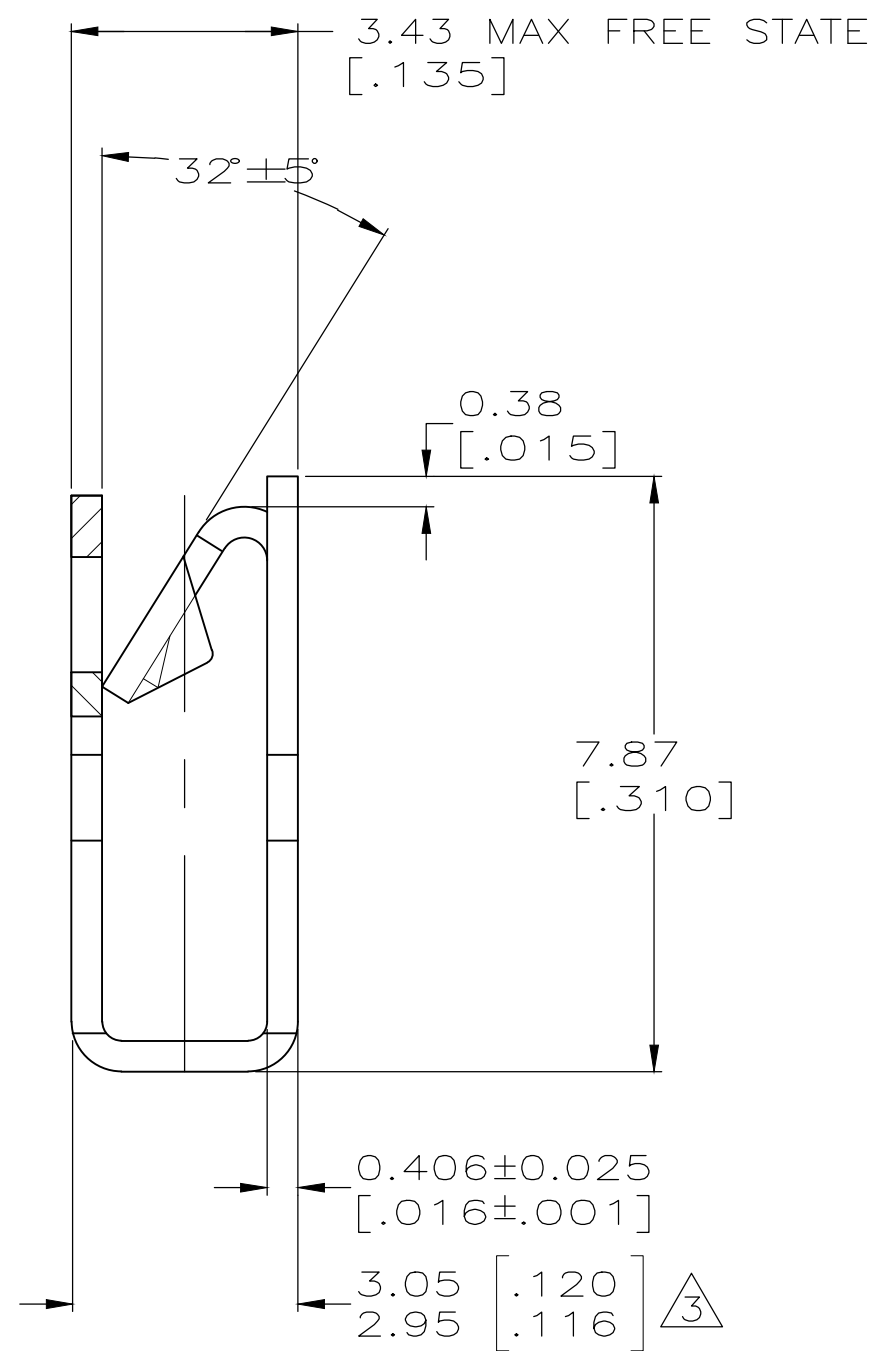
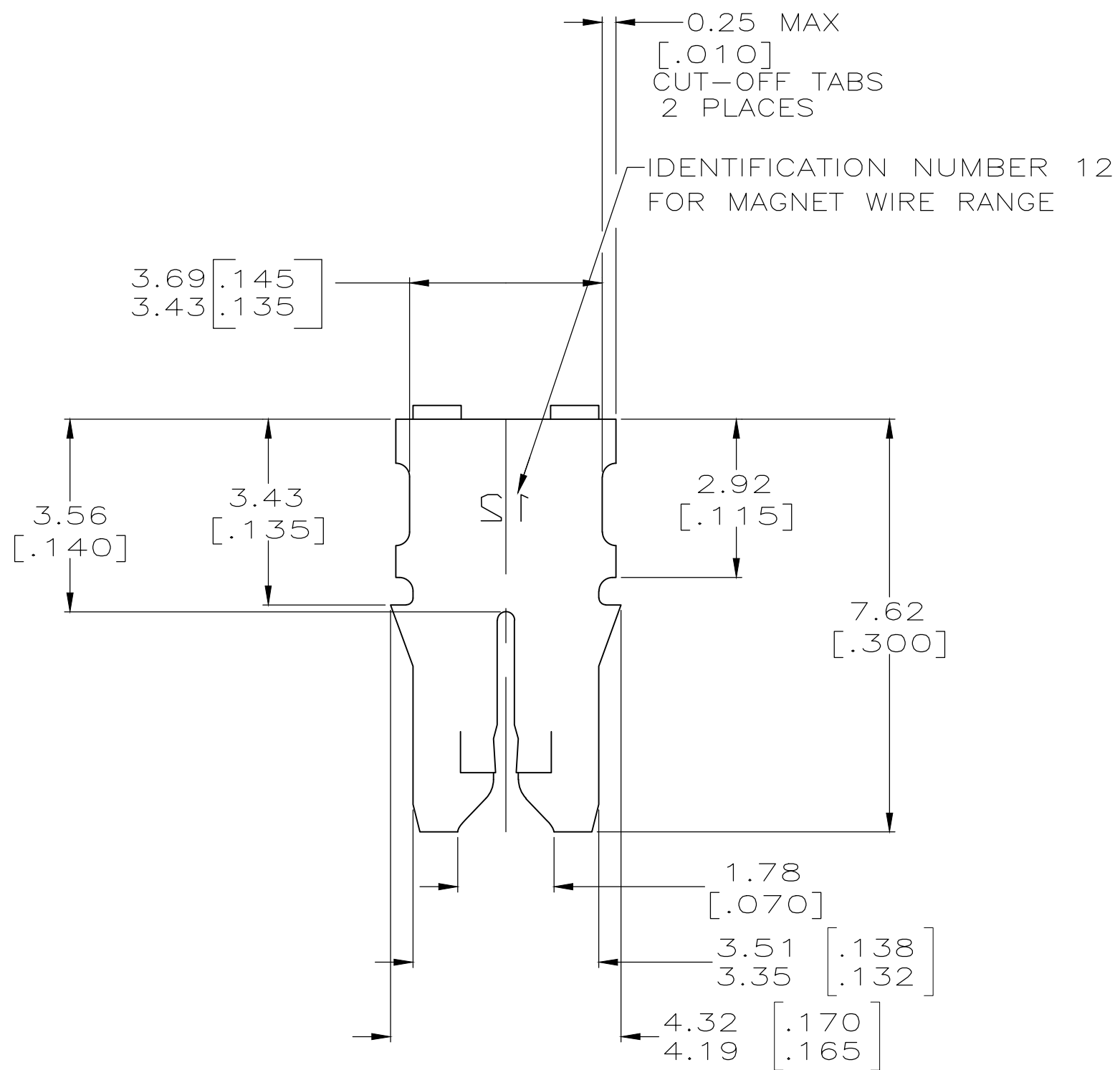


THIS DRAWING IS UNPUBLISHED. RELEASED FOR PUBLICATION
 © COPYRIGHT - By - ALL RIGHTS RESERVED.

LOC	DIST	REVISIONS			
P	LTR	DESCRIPTION	DATE	DWN	APVD
AF	50	B4	REVISED PER ECR-18-009392	28MAR2019	BDA SV



- ① SLOT ACCEPTS 0.45-0.64mm [#25-#22] AWG COPPER MAGNET WIRE. 2 WIRES OF THE SAME SIZE PER SLOT EXCEPT 0.64mm [#22] AWG WHICH IS ONE WIRE ONLY OR 0.57-0.72 mm [#23-#21] AWG ALUMINIUM SINGLE MAGNET WIRE ONLY. ALUMINIUM WIRE RANGE IS APPLICABLE FOR POST TIN PLATED PART NOS ONLY
- ② POKE-IN ACCEPTS A 0.50-0.90mm² [#20-#18] AWG SOLID OR FUSED STRANDED LEAD WIRE
- ③ MEASURE WHEN FREE STATE IS COMPRESSED TO 2.95 [.116] MAX.



1217757-1

PART NUMBER

THIS DRAWING IS A CONTROLLED DOCUMENT.		DWN MICHAEL S. FEHER 30NOV2001	STE TE Connectivity		
DIMENSIONS: INCHES		CHK KURT A. RANDOLPH 30NOV2001			
TOLERANCES UNLESS OTHERWISE SPECIFIED:		APVD KURT A. RANDOLPH 30NOV2001	NAME TERMINAL, POKE-IN, LOOSE PIECE, 300 SERIES MAG-MATE		
0 PLC ± - 1 PLC ± - 2 PLC ± - 3 PLC ± 0.25 [.010] 4 PLC ± -		PRODUCT SPEC 108-2012	SIZE A2	CAGE CODE 00779	DRAWING NO C=1217757
MATERIAL BRASS		FINISH TIN PLATE	WEIGHT -	SCALE 10:1	SHEET 1 OF 1
CUSTOMER DRAWING			REV B4	RESTRICTED TO -	