

Features

- 8-bit Multiplexed Addresses/Outputs
- Fast Read Access Time – 70 ns
- Dual Voltage Range Operation
 - Low-voltage Power Supply Range, 3.0V to 3.6V, or
 - Standard 5V \pm 10% Supply Range
- Pin Compatible with Standard AT27C520
- Low-power CMOS Operation
 - 20 μ A Max Standby for ALE = V_{IH} and V_{CC} = 3.6V
 - 29 mW Max Active at 5 MHz for V_{CC} = 3.6V
- JEDEC Standard Packages
 - 20-lead TSSOP
 - 20-lead SOIC
- High-reliability CMOS Technology
 - 2,000V ESD Protection
 - 200 mA Latch-up Immunity
- Rapid Programming Algorithm – 50 μ s/Byte (Typical)
- CMOS- and TTL-compatible Inputs and Outputs
 - JEDEC Standard for LVTTTL
- Integrated Product Identification Code
- Industrial Temperature Range
- Green (Pb/Halide-free) Packaging Option

1. Description

The AT27LV520 is a low-power, high-performance, 524,288-bit one-time programmable read-only memory (OTP EPROM) organized 64K by eight bits. It incorporates latches for the eight lower order address bits to multiplex with the eight data bits. This minimizes system chip count, reduces cost, and simplifies the design of multiplexed bus systems. It requires only one power supply in the range of 3.0V to 3.6V for normal read mode operation, making it ideal for fast, portable systems using battery power. Any byte can be accessed in less than 70 ns.

The AT27LV520 is available in 20-lead TSSOP and 20-lead SOIC, one-time programmable (OTP) plastic packages.

Atmel's innovative design techniques provide fast speeds that rival 5V parts while keeping the low power consumption of a 3.3V supply. At V_{CC} = 3.0V, any byte can be accessed in less than 70 ns. With a typical power dissipation of only 18 mW at 5 MHz and V_{CC} = 3.3V, the AT27LV520 consumes less than one fifth the power of a standard 5V EPROM. Standby mode is achieved by asserting ALE high. Standby mode supply current is typically less than 1 μ A at 3.3V.

The AT27LV520 operating with V_{CC} at 3.0V produces TTL level outputs that are compatible with standard TTL logic devices operating at V_{CC} = 5.0V. The device is also capable of standard 5-volt operation making it ideally suited for dual supply range systems or card products that are pluggable in both 3-volt and 5-volt hosts.



**512K (64K x 8)
Multiplexed
Addresses/
Outputs
Low-voltage
OTP EPROM**

AT27LV520

**Not Recommended
for New Designs.**

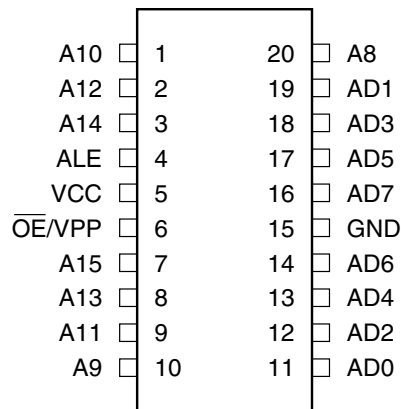


Atmel's AT27LV520 has additional features to ensure high quality and efficient production use. The Rapid Programming Algorithm reduces the time required to program the part and guarantees reliable programming. Programming time is typically only 50 μ s/byte. The Integrated Product Identification Code electronically identifies the device and manufacturer. This feature is used by industry-standard programming equipment to select the proper programming algorithms and voltages. The AT27LV520 programs exactly the same way as a standard 5V AT27C520 and uses the same programming equipment.

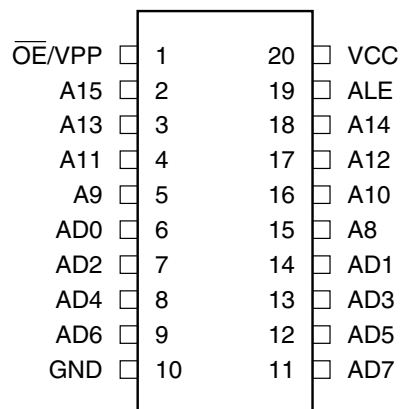
2. Pin Configurations

Pin Name	Function
A8 - A15	Addresses
AD0 - AD7	Addresses/Outputs
\overline{OE} /VPP	Output Enable/Program Supply
ALE	Address Latch Enable

2.1 20-lead TSSOP Top View



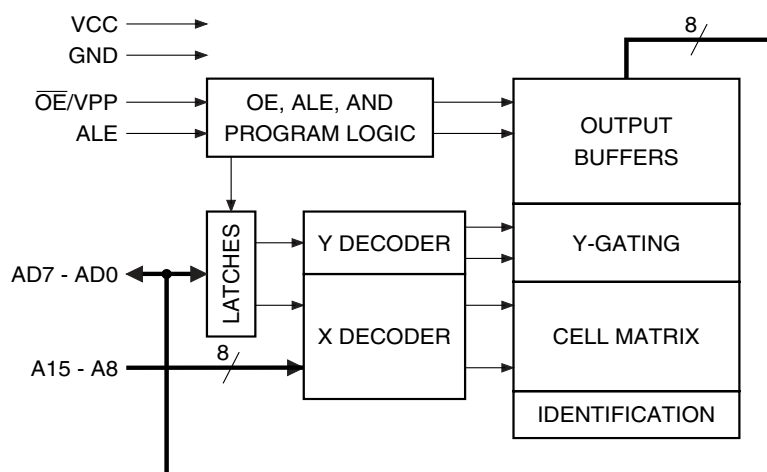
2.2 20-lead SOIC Top View



3. System Considerations

Switching under active conditions may produce transient voltage excursions. Unless accommodated by the system design, these transients may exceed datasheet limits, resulting in device non-conformance. At a minimum, a 0.1 μF high frequency, low inherent inductance, ceramic capacitor should be utilized for each device. This capacitor should be connected between the V_{CC} and Ground terminals of the device, as close to the device as possible. Additionally, to stabilize the supply voltage level on printed circuit boards with large EPROM arrays, a 4.7 μF bulk electrolytic capacitor should be utilized, again connected between the V_{CC} and Ground terminals. This capacitor should be positioned as close as possible to the point where the power supply is connected to the array.

4. Block Diagram



5. Absolute Maximum Ratings*

Temperature under Bias	-55°C to +125°C
Storage Temperature	-65°C to +150°C
Voltage on Any Pin with Respect to Ground	-2.0V to +7.0V ⁽¹⁾
Voltage on A9 with Respect to Ground	-2.0V to +14.0V ⁽¹⁾
V_{PP} Supply Voltage with Respect to Ground	-2.0V to +14.0V ⁽¹⁾

***NOTICE:** Stresses beyond those listed under “Absolute Maximum Ratings” may cause permanent damage to the device. This is a stress rating only and functional operation of the device at these or any other conditions beyond those indicated in the operational sections of this specification is not implied. Exposure to absolute maximum rating conditions for extended periods may affect device reliability.

Note: 1. Minimum voltage is -0.6V DC which may undershoot to -2.0V for pulses of less than 20 ns. Maximum output pin voltage is $V_{CC} + 0.75\text{V}$ DC which may overshoot to +7.0V for pulses of less than 20 ns.

6. Operating Modes

Mode/Pin	ALE	\overline{OE}/V_{PP}	A8 - A15	AD0 - AD7
Read ⁽²⁾	V_{IL}	V_{IL}	Ai	D_{OUT}
Output Disable ⁽²⁾	V_{IL}/V_{IH}	V_{IH}	X ⁽¹⁾	High Z/A0 - A7
Standby	V_{IH}	V_{IH}	Ai	A0 - A7
Address Latch Enable ⁽²⁾	V_{IH}	V_{IH}	X	A0 - A7
Rapid Program ⁽³⁾	V_{IH}	V_{PP}	Ai	D_{IN}
Product Identification ⁽⁴⁾	V_{IL}	V_{IL}	A9 = V_H ⁽⁵⁾ A8 = V_{IH} or V_{IL} A10 - A15 = V_{IL}	Identification Code

- Notes:
- X can be V_{IL} or V_{IH} .
 - Read, output disable, and standby modes require $3.0V \leq V_{CC} \leq 3.6V$, or $4.5V \leq V_{CC} \leq 5.5V$.
 - Refer to Programming Characteristics.
 - $V_H = 12.0 \pm 0.5V$.
 - Two identifier bytes may be selected. All A8 - A15 inputs are held low (V_{IL}), except A9 which is set to V_H and A8 which is toggled low (V_{IL}) to select the Manufacturer's Identification byte and high (V_{IH}) to select the Device Code byte.

7. DC and AC Operating Conditions for Read Operation

	AT27LV520-70	AT27LV520-90
Industrial Operating Temp. (Case)	-40°C - +85°C	-40°C - +85°C
V_{CC} Supply	3.0V to 3.6V	3.0V to 3.6V
	5V \pm 10%	5V \pm 10%

8. DC and Operating Characteristics for Read Operation

Symbol	Parameter	Condition	Min	Max	Units
$V_{CC} = 3.0V$ to $3.6V$					
I_{LI}	Input Load Current	$V_{IN} = 0V$ to V_{CC}		± 1	μA
I_{LO}	Output Leakage Current	$V_{OUT} = 0V$ to V_{CC}		± 5	μA
$I_{SB}^{(1)}$	V_{CC} Standby Current	ALE = $V_{CC} \pm 0.3V$; Ai, ADi = GND/ $V_{CC} \pm 0.3V$		20	μA
I_{CC}	V_{CC} Active Current	f = 5 MHz, $I_{OUT} = 0$ mA, ALE = V_{IL}		8	mA
V_{IL}	Input Low Voltage		-0.6	0.8	V
V_{IH}	Input High Voltage		2.0	$V_{CC} + 0.5$	V
V_{OL}	Output Low Voltage	$I_{OL} = 2.0$ mA		0.4	V
V_{OH}	Output High Voltage	$I_{OH} = -2.0$ mA	2.4		V
$V_{CC} = 4.5V$ to $5.5V$					
I_{LI}	Input Load Current	$V_{IN} = 0V$ to V_{CC}		± 1	μA
I_{LO}	Output Leakage Current	$V_{OUT} = 0V$ to V_{CC}		± 5	μA
$I_{SB}^{(1)}$	V_{CC} Standby Current	ALE = $V_{CC} \pm 0.3V$; Ai, ADi = GND/ $V_{CC} \pm 0.3V$		100	μA
I_{CC}	V_{CC} Active Current	f = 5 MHz, $I_{OUT} = 0$ mA, ALE = V_{IL}		20	mA
V_{IL}	Input Low Voltage		-0.6	0.8	V
V_{IH}	Input High Voltage		2.0	$V_{CC} + 0.5$	V
V_{OL}	Output Low Voltage	$I_{OL} = 2.1$ mA		0.4	V
V_{OH}	Output High Voltage	$I_{OH} = -400$ μA	2.4		V

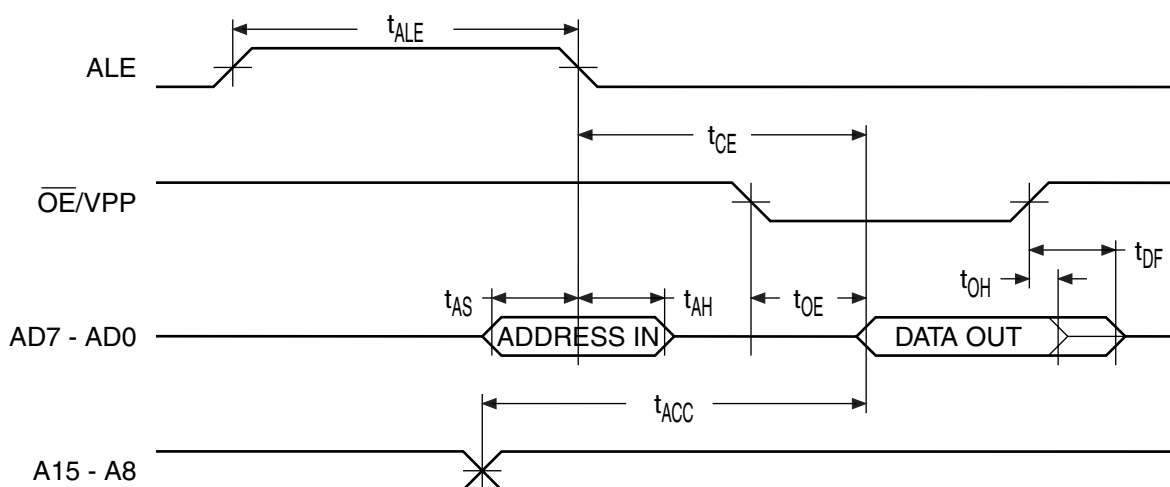
- Note: 1. V_{CC} standby current will be slightly higher with ALE, Ai, and ADi at TTL levels.

9. AC Characteristics for Read Operation

$V_{CC} = 3.0V$ to $3.6V$ and $4.5V$ to $5.5V$

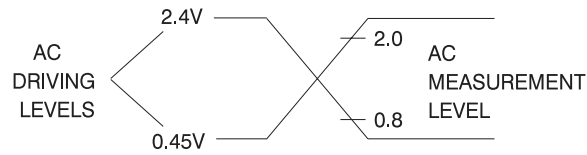
Symbol	Parameter	Condition	AT27LV520-70		AT27LV520-90		Units
			Min	Max	Min	Max	
$t_{ACC}^{(3)}$	Address to Output Delay	$ALE = \overline{OE}/V_{PP} = V_{IL}$		70		90	ns
t_{CE}	Address Latch Enable Low to Output Delay	Address Valid		55		70	ns
t_{AS}	Address Setup Time	$\overline{OE}/V_{PP} = V_{IH}$	12		15		ns
t_{AH}	Address Hold Time	$\overline{OE}/V_{PP} = V_{IH}$	12		15		ns
t_{ALE}	Address Latch Enable Width	$\overline{OE}/V_{PP} = V_{IH}$	40		45		ns
$t_{OE}^{(3)}$	\overline{OE}/V_{PP} to Output Delay	$ALE = V_{IL}$		30		35	ns
$t_{DF}^{(4)(5)}$	\overline{OE}/V_{PP} High to Output Float	$ALE = V_{IL}$		25		25	ns
t_{OH}	Output Hold from Address or \overline{OE}/V_{PP} Whichever Occurred First	$ALE = V_{IL}$	7		0		ns

10. AC Waveforms for Read Operation⁽¹⁾



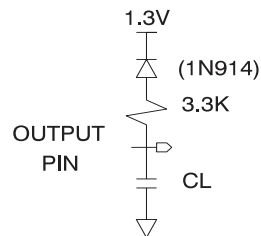
- Notes:
1. Timing measurement reference levels for all speed grades are $V_{OL} = 0.8V$ and $V_{OH} = 2.0V$. Input AC drive levels are $V_{IL} = 0.45V$ and $V_{IH} = 2.4V$.
 2. \overline{OE}/V_{PP} may be delayed up to $t_{CE} - t_{OE}$ after the address is valid without impact on t_{CE} .
 3. \overline{OE}/V_{PP} may be delayed up to $t_{ACC} - t_{OE}$ after the address is valid without impact on t_{ACC} .
 4. This parameter is only sampled and is not 100% tested.
 5. Output float is defined as the point when data is no longer driven.

11. Input Test Waveforms and Measurement Levels



$t_R, t_F < 20 \text{ ns (10\% to 90\%)}$

12. Output Test Load



Note: $C_L = 100 \text{ pF}$ including jig capacitance.

13. Pin Capacitance

$f = 1 \text{ MHz, } T = 25^\circ \text{ C}^{(1)}$

Symbol	Typ	Max	Units	Conditions
C_{IN}	4	6	pF	$V_{IN} = 0V$
C_{OUT}	8	12	pF	$V_{OUT} = 0V$

Note: 1. Typical values for nominal supply voltage. This parameter is only sampled and is not 100% tested.

16. AC Programming Characteristics

$T_A = 25 \pm 5^\circ\text{C}$, $V_{CC} = 6.5 \pm 0.25\text{V}$, $\overline{\text{OE}}/V_{PP} = 13.0 \pm 0.25\text{V}$

Symbol	Parameter ⁽¹⁾	Test Conditions	Limits		Units
			Min	Max	
t_{ALE}	Address Latch Enable Width	Input Rise and Fall Times: (10% to 90%) 20 ns Input Pulse Levels: 0.45V to 2.4V Input Timing Reference Level: 0.8V to 2.0V Output Timing Reference Level: 0.8V to 2.0V	500		ns
t_{LAS}	Latched Address Setup Time		100		ns
t_{LAH}	Latched Address Hold Time		100		ns
t_{LP}	ALE Low to $\overline{\text{OE}}/V_{PP}$ High Voltage Delay		2		μs
t_{OES}	$\overline{\text{OE}}/V_{PP}$ Setup Time		2		μs
t_{OEH}	$\overline{\text{OE}}/V_{PP}$ Hold Time		2		μs
t_{DS}	Data Setup Time		2		μs
t_{DH}	Data Hold Time		2		μs
t_{PW}	ALE Program Pulse Width ⁽²⁾		47.5	52.5	μs
t_{VR}	$\overline{\text{OE}}/V_{PP}$ Recovery Time		2		μs
t_{VCS}	V_{CC} Setup Time		2		μs
t_{OE}	Data Valid from $\overline{\text{OE}}/V_{PP}$			150	ns
t_{DFP}	$\overline{\text{OE}}/V_{PP}$ High to Output Float Delay ⁽³⁾		0	130	ns
t_{AS}	Address Setup Time		2		μs
t_{AH}	Address Hold Time		0		μs
t_{PRT}	$\overline{\text{OE}}/V_{PP}$ Pulse Rise Time During Programming	50		ns	

- Notes:
- V_{CC} must be applied simultaneously or before $\overline{\text{OE}}/V_{PP}$ and removed simultaneously or after $\overline{\text{OE}}/V_{PP}$.
 - Program Pulse width tolerance is $50 \mu\text{sec} \pm 5\%$.
 - This parameter is only sampled and is not 100% tested. Output Float is defined as the point where data is no longer driven – see timing diagram.

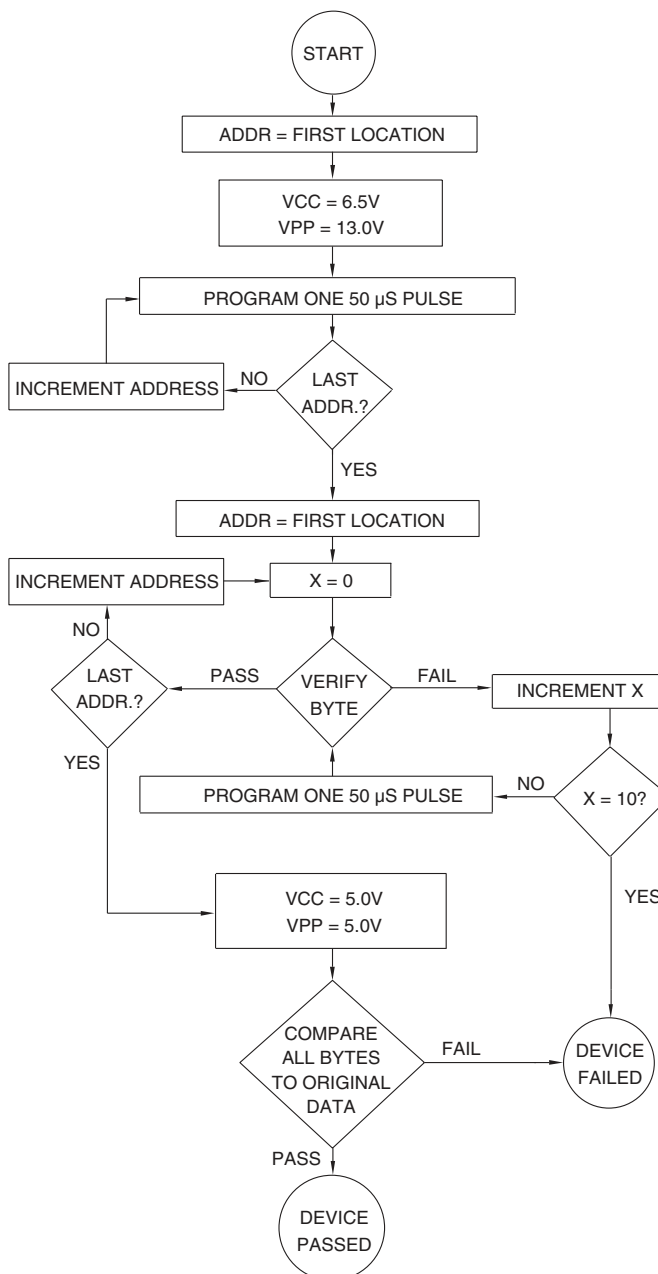
17. Atmel's AT27LV520 Integrated Product Identification Code

Codes	Pins									Hex Data
	A8	AD7	AD6	AD5	AD4	AD3	AD2	AD1	AD0	
Manufacturer	0	0	0	0	1	1	1	1	0	1E
Device Type	1	1	0	0	1	1	1	0	1	9D

- Note: 1. The AT27LV520 has the same product identification code as the AT27C520. Both are programming compatible.

18. Rapid Programming Algorithm

A 50 μ s ALE pulse width is used to program. The address is set to the first location. V_{CC} is raised to 6.5V and \overline{OE}/V_{PP} is raised to 13.0V. Each address is first programmed with one 50 μ s ALE pulse without verification. Then a verification/reprogramming loop is executed for each address. In the event a byte fails to pass verification, up to 10 successive 50 μ s pulses are applied with a verification after each pulse. If the byte fails to verify after 10 pulses have been applied, the part is considered failed. After the byte verifies properly, the next address is selected until all have been checked. \overline{OE}/V_{PP} is then lowered to V_{IH} and V_{CC} to 5.0V. All bytes are read again and compared with the original data to determine if the device passes or fails.





19. Ordering Information

19.1 Standard Package

t_{ACC} (ns)	I_{CC} (mA) Active	Ordering Code	Package	Operation Range
70	8	AT27LV520-70SI	20S	Industrial (-40°C to +85°C)
		AT27LV520-70XI	20X	
90	8	AT27LV520-90SI	20S	Industrial (-40°C to +85°C)
		AT27LV520-90XI	20X	

19.2 Green Package (Pb/Halide-free)

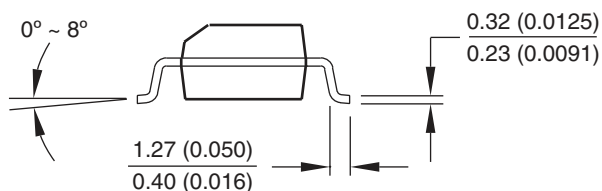
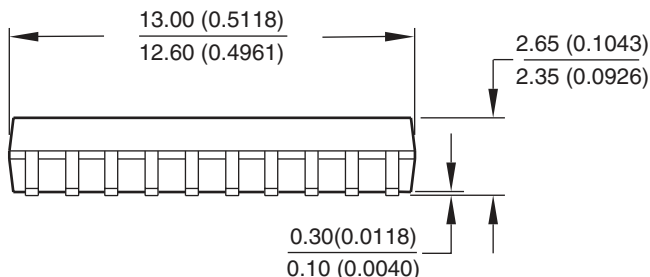
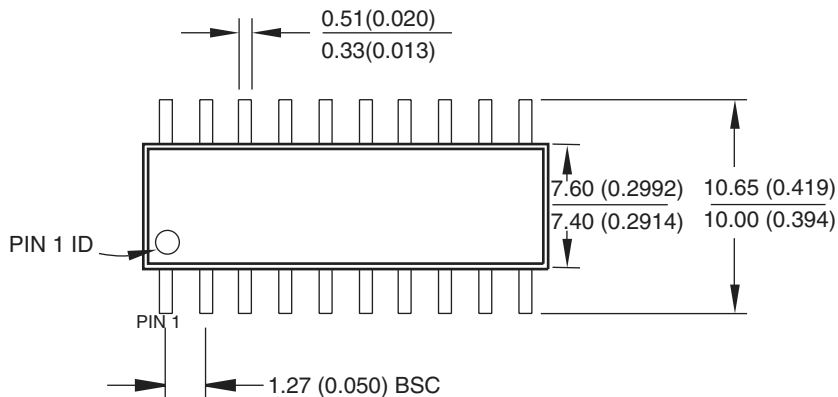
t_{ACC} (ns)	I_{CC} (mA) Active	Ordering Code	Package	Operation Range
70	8	AT27LV520-70SU	20S	Industrial (-40°C to +85°C)
		AT27LV520-70XU	20X	
90	8	AT27LV520-90XU	20X	Industrial (-40°C to +85°C)

Package Type	
20S	20-lead, 0.300" Wide, Plastic Gull Wing Small Outline (SOIC)
20X	20-lead, 4.4 mm Body Width, Plastic Thin Shrink Small Outline (TSSOP)

20. Packaging Information

20.1 20S – SOIC

Dimensions in Millimeters and (Inches).
 Controlling dimension: Inches.
 JEDEC Standard MS-013



10/23/03



2325 Orchard Parkway
 San Jose, CA 95131

TITLE

20S, 20-lead, 0.300" Body, Plastic Gull Wing Small Outline (SOIC)

DRAWING NO.

20S

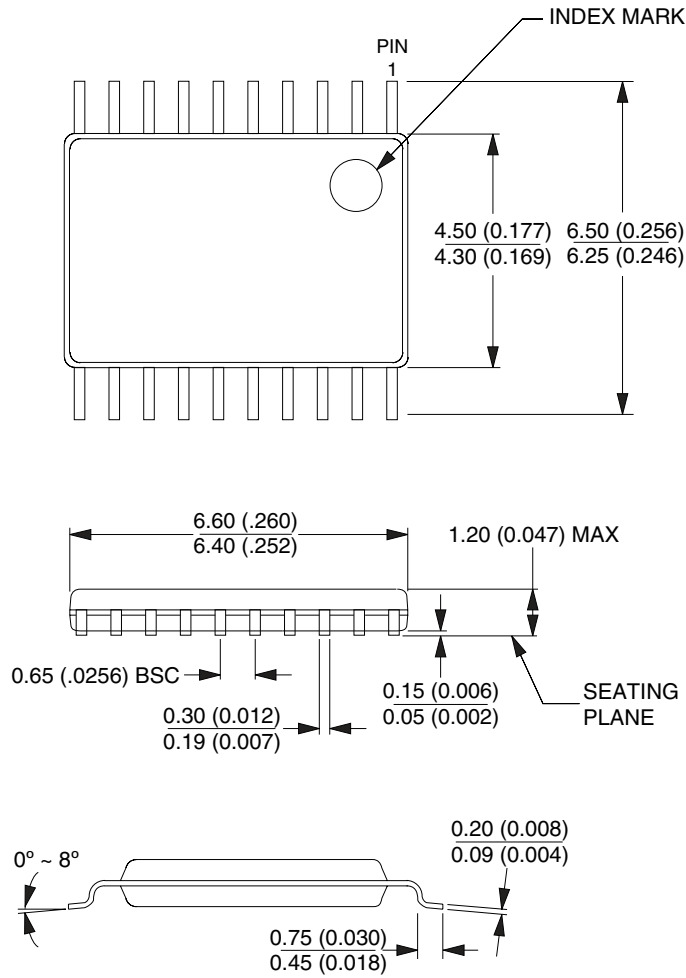
REV.

B



20.2 20X – TSSOP

Dimensions in Millimeters and (Inches).
 Controlling dimension: Millimeters.
 JEDEC Standard MO-153 AC



10/23/03



2325 Orchard Parkway
 San Jose, CA 95131

TITLE

20X, (Formerly 20T), 20-lead, 4.4 mm Body Width,
 Plastic Thin Shrink Small Outline Package (TSSOP)

DRAWING NO.

20X

REV.

C



Headquarters

Atmel Corporation
2325 Orchard Parkway
San Jose, CA 95131
USA
Tel: 1(408) 441-0311
Fax: 1(408) 487-2600

International

Atmel Asia
Room 1219
Chinachem Golden Plaza
77 Mody Road Tsimshatsui
East Kowloon
Hong Kong
Tel: (852) 2721-9778
Fax: (852) 2722-1369

Atmel Europe
Le Krebs
8, Rue Jean-Pierre Timbaud
BP 309
78054 Saint-Quentin-en-
Yvelines Cedex
France
Tel: (33) 1-30-60-70-00
Fax: (33) 1-30-60-71-11

Atmel Japan
9F, Tonetsu Shinkawa Bldg.
1-24-8 Shinkawa
Chuo-ku, Tokyo 104-0033
Japan
Tel: (81) 3-3523-3551
Fax: (81) 3-3523-7581

Product Contact

Web Site
www.atmel.com

Technical Support
eprom@atmel.com

Sales Contact
www.atmel.com/contacts

Literature Requests
www.atmel.com/literature

Disclaimer: The information in this document is provided in connection with Atmel products. No license, express or implied, by estoppel or otherwise, to any intellectual property right is granted by this document or in connection with the sale of Atmel products. **EXCEPT AS SET FORTH IN ATMEL'S TERMS AND CONDITIONS OF SALE LOCATED ON ATMEL'S WEB SITE, ATMEL ASSUMES NO LIABILITY WHATSOEVER AND DISCLAIMS ANY EXPRESS, IMPLIED OR STATUTORY WARRANTY RELATING TO ITS PRODUCTS INCLUDING, BUT NOT LIMITED TO, THE IMPLIED WARRANTY OF MERCHANTABILITY, FITNESS FOR A PARTICULAR PURPOSE, OR NON-INFRINGEMENT. IN NO EVENT SHALL ATMEL BE LIABLE FOR ANY DIRECT, INDIRECT, CONSEQUENTIAL, PUNITIVE, SPECIAL OR INCIDENTAL DAMAGES (INCLUDING, WITHOUT LIMITATION, DAMAGES FOR LOSS OF PROFITS, BUSINESS INTERRUPTION, OR LOSS OF INFORMATION) ARISING OUT OF THE USE OR INABILITY TO USE THIS DOCUMENT, EVEN IF ATMEL HAS BEEN ADVISED OF THE POSSIBILITY OF SUCH DAMAGES.** Atmel makes no representations or warranties with respect to the accuracy or completeness of the contents of this document and reserves the right to make changes to specifications and product descriptions at any time without notice. Atmel does not make any commitment to update the information contained herein. Unless specifically provided otherwise, Atmel products are not suitable for, and shall not be used in, automotive applications. Atmel's products are not intended, authorized, or warranted for use as components in applications intended to support or sustain life.

© 2007 Atmel Corporation. All rights reserved. Atmel®, logo and combinations thereof, and others are registered trademarks or trademarks of Atmel Corporation or its subsidiaries. Other terms and product names may be trademarks of others.