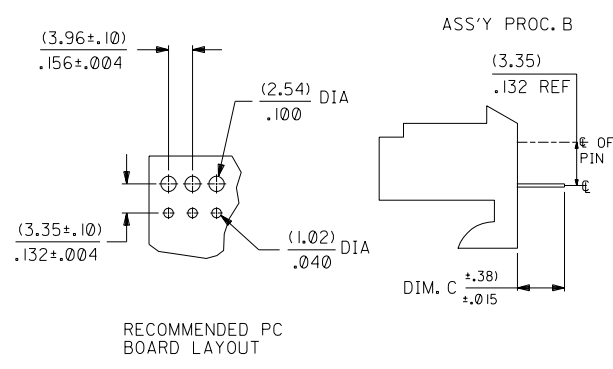


- NOTES:
1. TERMINALS MUST CONFORM TO SOLDERABILITY SPEC. ES-152.
 2. PARTS CONFORM TO PRODUCT SPEC 08-50.
 3. HOUSING MATERIAL: NYLON, UL LISTED
 4. "*" PRECEDING ENG. NO. IN CHARTS DESIGNATES STANDARD PRODUCT.
 5. TERMINAL TAIL CENTERLINES ARE TO BE WITHIN (.30)/.012 OF EACH OTHER.
 6. FOR KINKED PIN INFORMATION SEE SMES-42329-***.



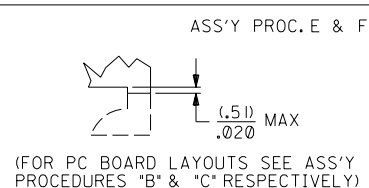
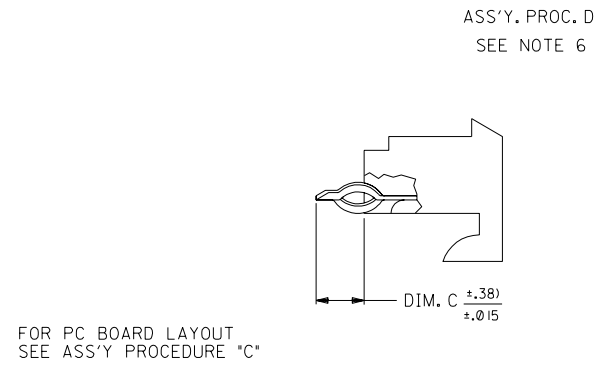
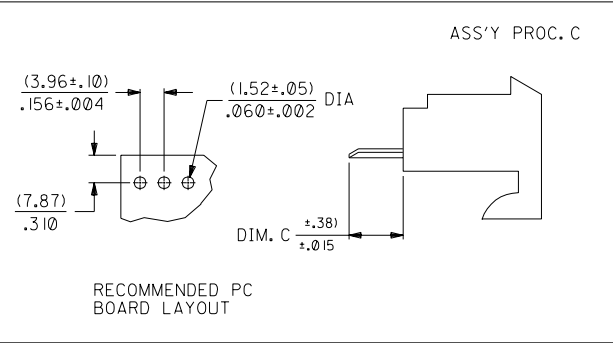
A - 2145 - * * N * * * - *
 VOID LOCATION
 ASS'Y. PROCEDURE
 A=RIGHT ANGLE
 B=BOTTOM ENTRY
 C=TOP ENTRY
 D=TOP ENTRY WITH KINKED TAIL
 E=BOTTOM ENTRY WITH HOOKS CUT OFF
 F=TOP ENTRY WITH HOOKS CUT OFF
 PACKAGING CODE
 BLANK=BULK PACK
 A=TUBE PACK PER PK-40873-0026

PLATING
 (102) 200 M.I. MIN TIN OVER 100 M.I. MIN COPPER
 (587) SELECT GOLD 15 M.I. MIN
 SELECT TIN-LEAD 75 M.I. MIN. OVER
 50 M.I. MIN NICKEL

- HOUSING NO.
- A=2145-N-AN 94V-2 NATURAL WITH RAMPES AND HOOKS
 - B=2145-NBK-AN 94V-2 DYED BLACK WITH RAMPES AND HOOKS
 - C=2145-A-AN 94V-0 NATURAL WITH RAMPES AND HOOKS
 - G=2145-N-CN 94V-2 NATURAL WITH HOOKS ONLY
 - H=2145-NGN-AN 94V-2 DYED GREEN WITH RAMPES AND HOOKS
 - J=2145-NYW-AN 94V-2 DYED YELLOW WITH RAMPES AND HOOKS
 - K=2145-NRD-AN 94V-2 DYED RED WITH RAMPES AND HOOKS
 - L=2145-N-AN-5 94V-2 NATURAL W/ RAMPES AND HOOKS MOLDED IN VOIDS

- TERMINAL NO.
- A=2144-AA-AIAA(+)B (BRASS)
 - B=2144-BA-AIAA(+)B (PHOS BRONZE)
 - C=2144-AA-A2AA(+)B (BRASS)
 - D=2144-BA-A2AA(+)B (PHOS BRONZE)
 - E=6298-A(+) (PHOS BRONZE) LOW FORCE
 - H=2188-(*) (BRASS)
 - J=2188-(*) (BRASS)
 - K=4244-(*) (BRASS)
 - L=6298-(*) (PHOS BRONZE)
 - M=2144-BA-BIAA(+)B (PHOS BRONZE) LOW FORCE
 - N=4244-A(+) (PHOS BRONZE)

NO. OF CKTS.	DIM. A	DIM. B	KINK PIN LOCATION (ASSY. PROC. D ONLY)
2	(3.96 ± .13) .156 ± .005	(7.82) .308	N/A
3	(7.92 ± .13) .312 ± .005	(11.79) .464	N/A
4	(11.89 ± .13) .468 ± .005	(15.75) .620	1, 2 3, 4
5	(15.85 ± .13) .624 ± .005	(19.71) .776	2, 3 4, 5
6	(19.81 ± .13) .780 ± .005	(23.67) .932	2, 3 4, 5
7	(23.77 ± .25) .936 ± .010	(27.64) 1.088	2, 3 5, 6
8	(27.74 ± .25) 1.092 ± .010	(31.60) 1.244	2, 3 6, 7
9	(31.70 ± .25) 1.248 ± .010	(35.56) 1.400	2, 3 7, 8
10	(35.66 ± .25) 1.404 ± .010	(39.52) 1.556	2, 3 8, 9
11	(39.62 ± .25) 1.560 ± .010	(43.48) 1.712	2, 3 9, 10
12	(43.59 ± .25) 1.716 ± .010	(47.45) 1.868	2, 3 10, 11
13	(47.55 ± .25) 1.872 ± .010	(51.41) 2.024	2, 3 11, 12
14	(51.51 ± .36) 2.028 ± .014	(55.37) 2.180	2, 3 12, 13
15	(55.47 ± .36) 2.184 ± .014	(59.33) 2.336	2, 3 13, 14
16	(59.44 ± .36) 2.340 ± .014	(63.30) 2.492	2, 3 14, 15



NO. OF CKTS.

U7	U6
REL AANN102 UCP2003-0130 7/22/2002 SAMIEC	REL FANA503 UCR2001-0247 9-18-00 SAMIEC

DIMENSIONS SHOWN (METRIC) INCH
 UNLESS OTHERWISE SPECIFIED
 TOLERANCES: ANGULAR ± 1/2°

INCH	METRIC
3 PLACE ± .010	---
2 PLACE ± .014	± 0.25
1 PLACE ---	± 0.36

DRAFT WHERE APPLICABLE MUST REMAIN WITHIN DIMENSIONS

DRWG. PEREZ-ARGUETA BY PATEL
 APP'D. LENZ SCALE :

FILE NAME S2145X1 THIS DRAWING CONTAINS INFORMATION THAT IS PROPRIETARY TO MOLEX INC. AND SHOULD NOT BE USED WITHOUT WRITTEN PERMISSION.

TITLE HOUSING ASS'Y, P.C. TAIL (3.96)/.156 C
 2145 SERIES DRAWING

MOLEX INCORPORATED U.S.A. SHEET NO. 1 OF 20 DATE 7/9/87
 LITSE, ILL. 60532

SEE CHART SDA-2145

MFG. SH. REV. 20 U, 19 T, 18 U7, 17 M, 16 T6, 15 T, 14 T2, 13 U6, 12 U5, 11 R3, 10 U, 9 T, 8 T, 7 U3, 6 U, 5 U, 4 U, 3 U, 2 U, 1 U7

		13	12	11	10	9	8	7	6	2145	4	3	2	1			
J	ENG. NO.	HOUSING NO.			TERMINAL NO.		DIM. C		EDP ON SHT/COL								J
	A-2145-AANA(102)-*	2145-N-AN			2144-AA-AIAA-102B		(3.68) / .145		7 / 1								
	A-2145-AANA(122)-*	2145-N-AN			2144-AA-AIAA-122B		(3.68) / .145		7 / 2								
	A-2145-AANA(505)-*	2145-N-AN			2144-AA-AIAA-505B		(3.68) / .145		7 / 3								
	A-2145-AANA(507)-*	2145-N-AN			2144-AA-AIAA-507B		(3.68) / .145		7 / 4								
	A-2145-AANB(558)-*	2145-N-AN			2144-BA-AIAA-558B		(3.68) / .145		8 / 1								
I	A-2145-AANA(P913)-*	2145-N-AN			2144-AA-AIAA-P913B		(3.68) / .145		8 / 2								I
	A-2145-ABNA(122)-*	2145-NBK-AN			2144-AA-AIAA-122B		(3.68) / .145		8 / 3								
	A-2145-ABNA(P913)-*	2145-NBK-AN			2144-AA-AIAA-P913B		(3.68) / .145		8 / 4								
	A-2145-AANA(587)-*	2145-N-AN			2144-AA-AIAA-587B		(3.68) / .145		9 / 1								
	A-2145-AGNA(P913)-*	2145-N-CN			2144-AA-AIAA-587B		(3.68) / .145		9 / 2								
H	A-2145-BANH(102)-*	2145-N-AN			2188-(102)		(4.06) / .160		9 / 3								H
	A-2145-BANH(122)-*	2145-N-AN			2188-(122)		(4.06) / .160		9 / 4								
	A-2145-BANL(P913)-*	2145-N-AN			6298-(P913)		(4.06) / .160		10 / 1								
	A-2145-BANL(565)-*	2145-N-AN			6298-(565)		(4.06) / .160		10 / 2								
	A-2145-BBNH(122)-*	2145-NBK-AN			2188-(122)		(4.06) / .160		10 / 3								
G	A-2145-CANA(102)-*	2145-N-AN			2144-AA-AIAA-102B		(3.05) / .120		10 / 4								G
	A-2145-CANA(122)-*	2145-N-AN			2144-AA-AIAA-122B		(3.05) / .120		11 / 1								
	A-2145-CANB(565)-*	2145-N-AN			2144-BA-AIAA-565B		(3.05) / .120		11 / 2								
	A-2145-CANC(P913)-*	2145-N-AN			2144-AA-A2AA-P913B		(4.80) / .189		11 / 3								
	A-2145-FGNA(587)-*	2145-N-CN			2144-AA-AIAA-587B		(3.05) / .120		11 / 4								
F	A-2145-FANA(P913)-*	2145-N-AN			2144-AA-AIAA-P913B		(3.05) / .120		12 / 1								F
	A-2145-DANC(P913)-*	2145-N-AN			2144-AA-A2AA-P913B		(4.80) / .189		12 / 2								
	A-2145-BBNH(P913)-*	2145-NBK-AN			2188-(P913)		(4.06) / .160		12 / 3								
	A-2145-CBNA(P913)-*	2145-NBK-AN			2144-AA-AIAA-P913B		(3.05) / .120		12 / 4								
	A-2145-FGNA(550)-*	2145-N-CN			2144-AA-AIAA-550B		(3.05) / .120		13 / 1								
	A-2145-BANH(P913)-*	2145-N-AN			2188-(P913)		(4.06) / .160		13 / 2								
E	A-2145-BANH(587)-*	2145-N-AN			2188-(587)		(4.06) / .160		13 / 3								E
	A-2145-FANA(503)-*	2145-N-AN			2144-AA-AIAA-503B		(3.05) / .120		13 / 4								
	A-2145-EANH(P913)-*	2145-N-AN			2188-(P913)		(4.06) / .160		14 / 1								
	A-2145-AANK(P913)-*	2145-N-AN			4244-(P913)		(3.68) / .145		14 / 2								
	A-2145-ABNK(P913)-*	2145-NBK-AN			4244-(P913)		(3.68) / .145		14 / 3								
D	A-2145-ABNA(587)-*	2145-NBK-AN			2144-AA-AIAA-587B		(3.68) / .145		14 / 4								D
	A-2145-AANA-(109)-*	2145-N-AN			2144-AA-AIAA-109B		(3.68) / .145		15 / 1								
	A-2145-CANA(P913)-*	2145-N-AN			2144-AA-AIAA-P913B		(3.05) / .120		15 / 2								
	A-2145-AANB(122)-*	2145-N-AN			2144-BA-AIAA(122)B		(3.68) / .145		15 / 3								
	A-2145-BANL(122)-*	2145-N-AN			6298-(122)		(4.06) / .160		15 / 4								
	A-2145-CANB(122)-*	2145-N-AN			2144-BA-AIAA(122)B		(3.05) / .120		16 / 1								
C	A-2145-EGNH(P913)-*	2145-N-CN			2188-(P913)		(4.06) / .160		16 / 2								C
	A-2145-FGNA(P913)-*	2145-N-CN			2144-AA-AIAA-P913B		(3.05) / .120		16 / 3								
	A-2145-CANA(587)-*	2145-N-AN			2144-AA-AIAA-587B		(3.05) / .120		16 / 4								
	A-2145-BHNH(122)-*	2145-NGN-AN			2188-(122)		(4.06) / .160		17 / 1								
	A-2145-BJNH(122)-*	2145-NYW-AN			2188-(122)		(4.06) / .160		17 / 2								
B	A-2145-BKNH(122)-*	2145-NRD-AN			2188-(122)		(4.06) / .160		17 / 3								B
A																	A

SEE SHEET I	M1	SEE SHEET I	DIMENSIONS SHOWN (METRIC) INCH		▽ = 0 ▽ = 0	REVISE ONLY ON CAD SYSTEM	
SEE SHEET I	M	SEE SHEET I	UNLESS OTHERWISE SPECIFIED TOLERANCES ANGULAR ± 1/2°			TITLE	
U	SEE SHEET I	K	SEE SHEET I	INCH METRIC		HOUSING ASS'Y, P.C. TAIL (3.96) / .156 C	
T	SEE SHEET I	J3	SEE SHEET I	3 PLACE ±	2 PLACE ±	2145 SERIES DRAWING	
G	SEE SHEET I	J	SEE SHEET I	1 PLACE ±	±	MOLEX INCORPORATED	
R	SEE SHEET I	H	SEE SHEET I	DRAFT WHERE APPLICABLE MUST REMAIN WITHIN DIMENSIONS			
M3	SEE SHEET I	G1	SEE SHEET I	DRWG. PEREZ; ENVD. PATEL			
LTR.	REVISIONS	LTR.	REVISIONS	APP'D. BY: LENZ	SCALE: :	FILE NAME: S2145X5	THIS DRAWING CONTAINS INFORMATION THAT IS PROPRIETARY TO MOLEX INC. AND SHOULD NOT BE USED WITHOUT WRITTEN PERMISSION
					SHEET NO. 5		DATE 7 / 9 / 87
					PART NO. SEE CHART		DRWG. NO. SDA-2145
					DIN. SIZE KK		C

2145

A-2 145-EANH(P913)-*			A-2 145-AANK(P913)-*			A-2 145-ABNK(P913)-*			A-2 145-ABNA(587)-*		
PART NO.	ENG. NO(SUFFIX ONLY)	VOID CKT.	PART NO.	ENG. NO(SUFFIX ONLY)	VOID CKT.	PART NO.	ENG. NO(SUFFIX ONLY)	VOID CKT.	PART NO.	ENG. NO(SUFFIX ONLY)	VOID CKT.
	-EA2H(P913)			-AA2K(P913)			-AB2K(P913)			-AB2A(587)	
	-EA3H(P913)		09-52-3035	-AA3K(P913)			-AB3K(P913)			-AB3A(587)	
	-EA4H(P913)		09-52-3045	-AA4K(P913)			-AB4K(P913)			-AB4A(587)	
	-EA5H(P913)		09-52-3055	-AA5K(P913)			-AB5K(P913)			-AB5A(587)	
	-EA6H(P913)		09-52-3065	-AA6K(P913)		09-53-3065	-AB6K(P913)		09-82-3061	-AB6A(587)	
	-EA7H(P913)			-AA7K(P913)			-AB7K(P913)			-AB7A(587)	
09-52-3086	-EA8H(P913)		09-52-3085	-AA8K(P913)			-AB8K(P913)			-AB8A(587)	
09-52-3096	-EA9H(P913)		09-52-3095	-AA9K(P913)			-AB9K(P913)			-AB9A(587)	
	-EA10H(P913)		09-52-3105	-AA10K(P913)		09-53-3105	-AB10K(P913)			-AB10A(587)	
	-EA11H(P913)			-AA11K(P913)			-AB11K(P913)			-AB11A(587)	
09-52-3124	-EA12H(P913)		09-52-3125	-AA12K(P913)			-AB12K(P913)			-AB12A(587)	
	-EA13H(P913)			-AA13K(P913)			-AB13K(P913)			-AB13A(587)	
	-EA14H(P913)			-AA14K(P913)			-AB14K(P913)			-AB14A(587)	
	-EA15H(P913)		09-52-3155	-AA15K(P913)		09-53-3155	-AB15K(P913)			-AB15A(587)	
	-EA16H(P913)			-AA16K(P913)			-AB16K(P913)			-AB16A(587)	

COLUMN NO. 1	CON'T. IN COLUMN NO.	SHEET NO.	COLUMN NO. 2	CON'T. IN COLUMN NO.	SHEET NO.	COLUMN NO. 3	CON'T. IN COLUMN NO.	SHEET NO.	COLUMN NO. 4	CON'T. IN COLUMN NO.	SHEET NO.
						SEE SHEET 1		SEE SHEET 1			
						SEE SHEET 1		SEE SHEET 1			
						SEE SHEET 1		SEE SHEET 1			
						SEE SHEET 1		SEE SHEET 1			
						SEE SHEET 1	T2	SEE SHEET 1			
						SEE SHEET 1	D8	SEE SHEET 1			
						SEE SHEET 1	A	SEE SHEET 1			
LTR.	REVISIONS		LTR.	REVISIONS							

DIMENSIONS SHOWN (METRIC) INCH
UNLESS OTHERWISE SPECIFIED
TOLERANCES ANGULAR ± 1/2°

INCH		METRIC	
3 PLACE	±		
2 PLACE	±		
1 PLACE	±		

DRAFT WHERE APPLICABLE MUST
REMAIN WITHIN DIMENSIONS

DRWG. PEREZ - ENK'D. PATEL
BY ARGUETA BY
APP'D. LENZ SCALE :

▽ = 0 ▽ = 0 **REVISE ONLY ON CAD SYSTEM**

TITLE
HOUSING ASS'Y, P.C. TAIL
(3,96)/.156 C
2145 SERIES DRAWING

MOLEX INCORPORATED SHEET NO. 14 DATE 7 / 9 / 87
LISLE, ILL. 60532 U.S.A.

PART NO. **SEE CHART** DRWG. NO. **SDA-2145**

FILE NAME: S2145X14 THIS DRAWING CONTAINS INFORMATION THAT IS PROPRIETARY TO MOLEX INC. AND SHOULD NOT BE USED WITHOUT WRITTEN PERMISSION. KK IC

2145