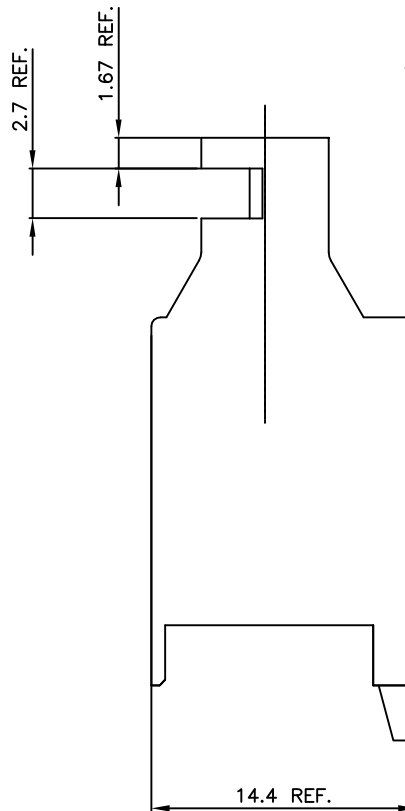
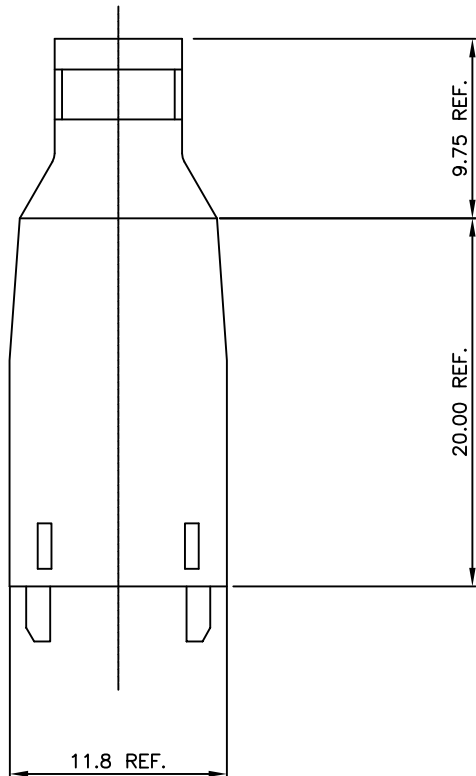
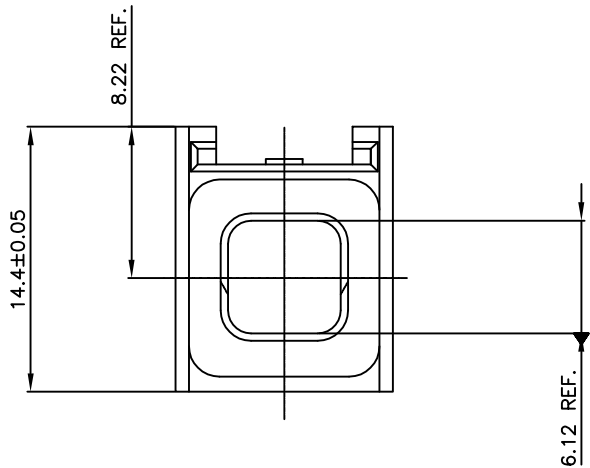


PRODUCT NUMBER 88976-001LF



NOTES:

1. MATERIAL: THERMOPLASTIC POLYESTER 30% GLASS FILLED. FLAME RETARDANT ACCORDING UL-94-V0. COLOR: BLACK.
2. ALL DIMENSION SHOWN ARE REFERENCE.
3. STANDARD METRAL (tm) CABLE CONNECTOR LATCH IS USED WITH THIS COVER.
4. THIS PRODUCT MEETS EUROPEAN UNION DIRECTIVES AND OTHER COUNTRY REGULATIONS AS DESCRIBED IN GS-22-008.
5. THE PRODUCT IS NOT INTENDED TO BE EXPOSED TO A MANUFACTURING SOLDER PROCESS.

mat'l code SEE NOTE 1.		tolerances unless otherwise specified		CUSTOMER COPY	<b>ELECTRONICS</b> www.fciconnect.com	
ltr	ecn no	dr	date	linear	projection	title
A	H10348	DAN	920424			Cable Cover
B	0005-0438	Clu	051103			mini coax 3x3
		angles				product family
		dr	D Andrews	920424	mm	ETRAL(tm)
		eng				code
		chr	P Schalk	920424	scale	213
		app	D Andrews	920424	5:1	sheet
sheet	revision					1 of 1
Indx	shes					

PDM: Rev.B

STATUS: Released

Printed: Jul 29, 2010

All rights strictly reserved. Reproduction or reuse in any form without written permission is prohibited. © FCI Inc.

Tous droits strictement réservés. Toute réimpression ou utilisation sans autorisation (écrite) est interdite. © FCI Inc.