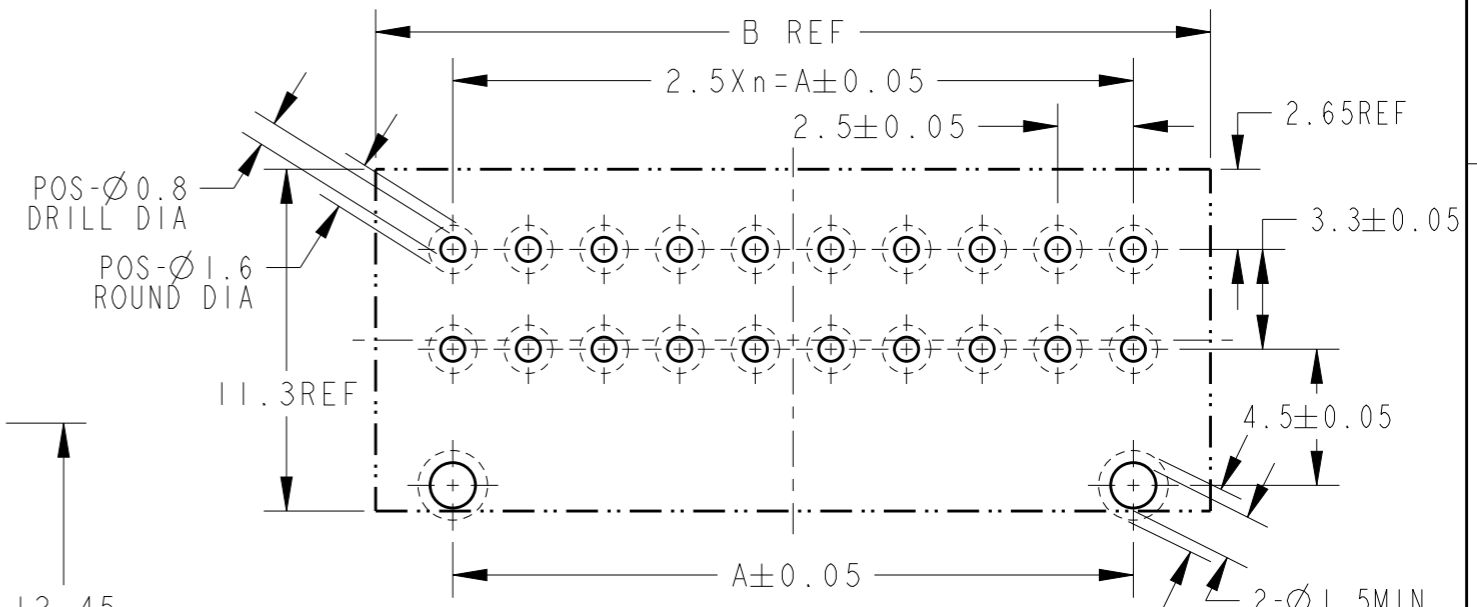
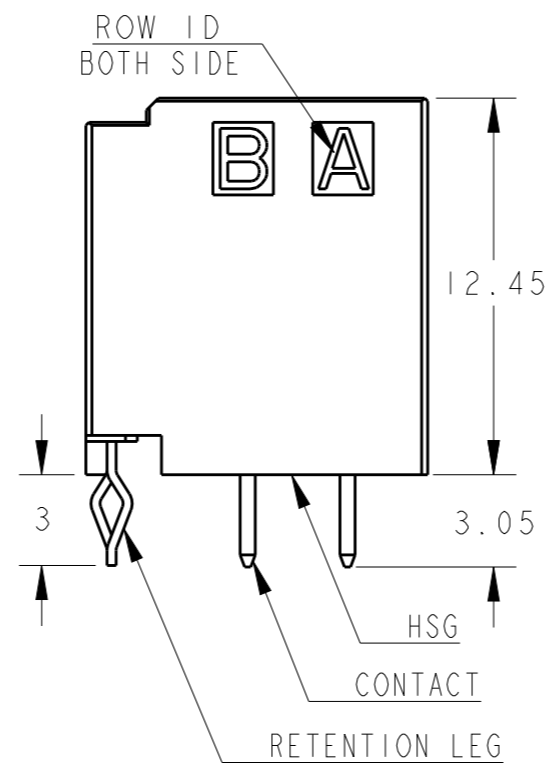
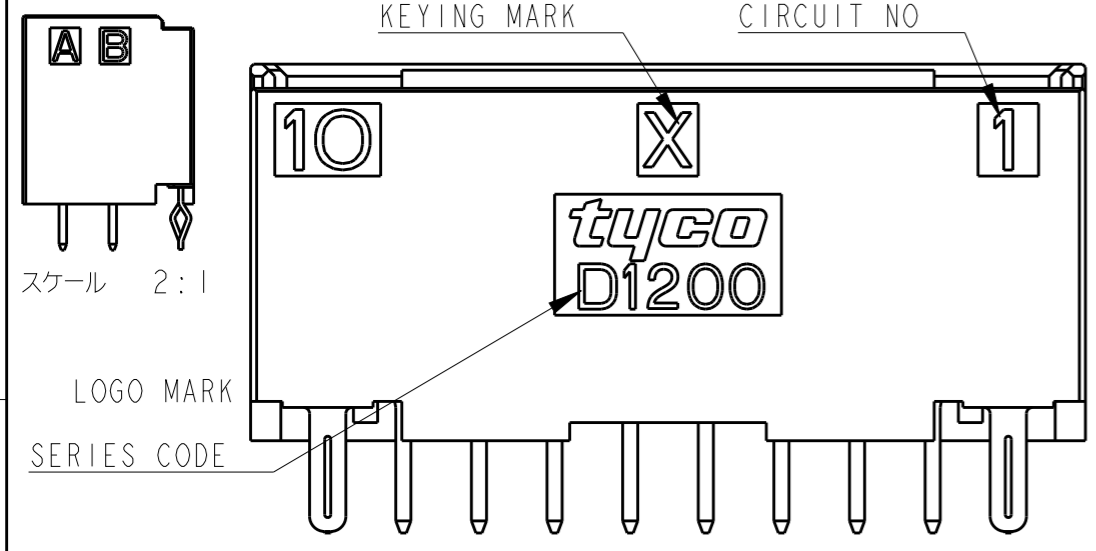
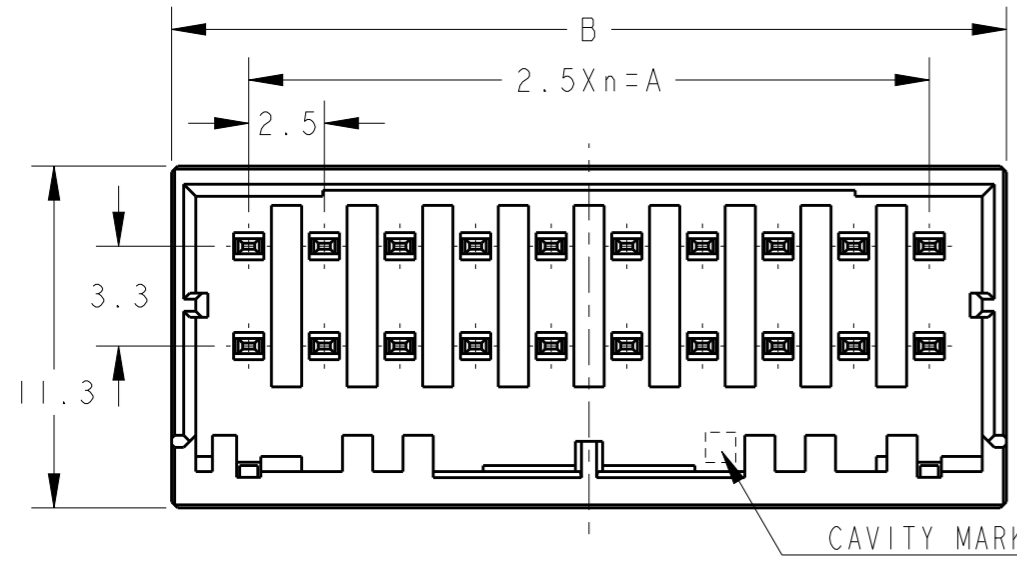
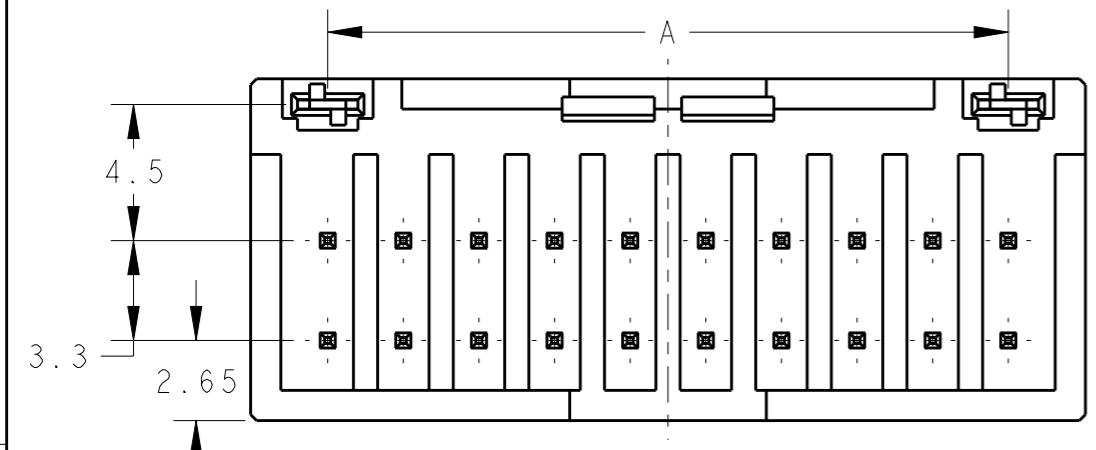


THIS DRAWING IS UNPUBLISHED. RELEASED FOR PUBLICATION 20
 © COPYRIGHT 20 BY Tyco Electronics Japan G.K. ALL RIGHTS RESERVED.

LOC	DIST	REVISIONS					
		P	LTR	DESCRIPTION	DATE	DWN	APVD
J	-		C	REVISED	18DEC2012	H.M	N.Y



RECOMMEND PC BOARD HOLE PATTERN : CONNECTOR MOUNT SIDE (NOT ACCUMULATE TOLERANCE)
 PC BOARD THICKNESS : 1.0~1.6±0.1
 推奨基板取付穴寸法 : コネクタ搭載面 (非累積公差)
 PC基板厚 : 1.0~1.6±0.1



△. 材料 : ハウジング : ガラス入り熱可塑性ポリエステル樹脂 (94V-0)、色 : 黒
 コンタクト : 錫めっき済銅合金
 リテンションレグ : 錫めっき済銅合金
 2. 文字の形状、大きさ、および位置については、大略を示すものであり、詳細を示すものではありません。

△. MATERIAL : HOUSING : GLASS FILED THERMO PLASTIC POLYESTER (94V-0), COLOR : BLACK
 CONTACT : PRE-TIN COPPER ALLOY
 RETENTION LEG : PRE-TIN COPPER ALLOY
 2. THE SHAPE, SIZE AND POSITION OF THE CHARACTER SHOW THE OUTLINE. THEY DON'T SHOW DETAILS.

AS SHOWN : 20POS (X-KEY)

12	X	5	12.5	17.6	1-2040558-6
10	X	4	10.0	15.1	1-2040558-5
6	X	2	5.0	10.1	1-2040558-3
4	X	1	2.5	7.6	1-2040558-2
POS	KEY	n	A	B	PART NO

THIS DRAWING IS A CONTROLLED DOCUMENT.		DWN M. MAEBASHI 13MAY2008	TE Connectivity	
DIMENSIONS: 単位: 概 mm		CHK T. KUDO 13MAY2008		
TOLERANCES UNLESS OTHERWISE SPECIFIED: 一般公差 ±0.3, ±5°		APVD S. MANABE 13MAY2008	NAME 名称 DYNAMIC D1200D 2.5mmPITCH HDR ASSY (V-TYPE) TIN PLATE 4-20POS	
0 PLC ±		PRODUCT SPEC 108-78298	SIZE A300779	
1 PLC ±0.5		APPLICATION SPEC 114-5377	CAGE CODE 00779	
2 PLC ±0.13		WEIGHT -	DRAWING NO 2040558	
3 PLC ±0.013		CUSTOMER DRAWING	RESTRICTED TO -	
4 PLC ±0.0001			SCALE 4:1	
ANGLES ±			SHEET 1 OF 2	
FINISH 仕上 -			REV C	

THIS DRAWING IS UNPUBLISHED.

RELEASED FOR PUBLICATION

20

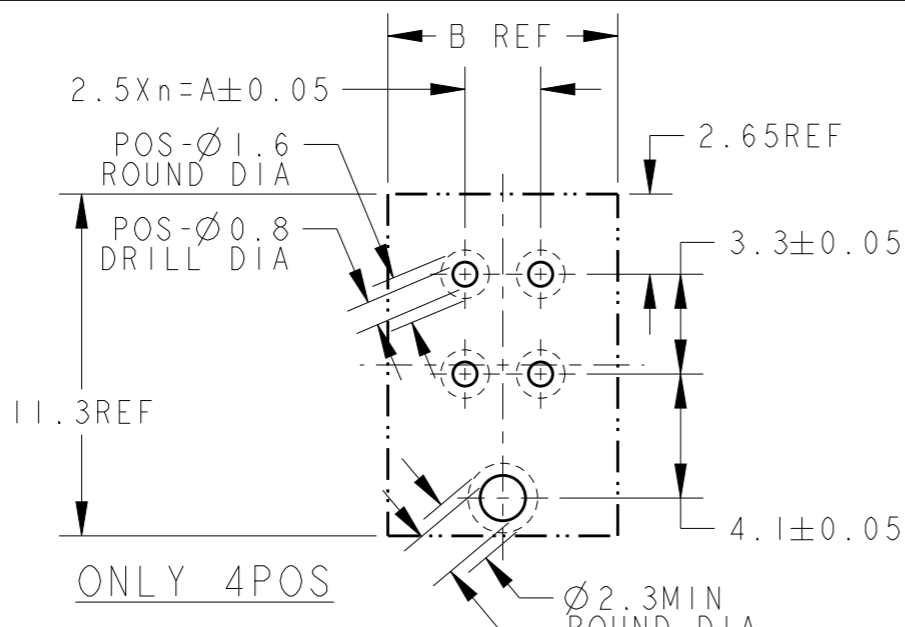
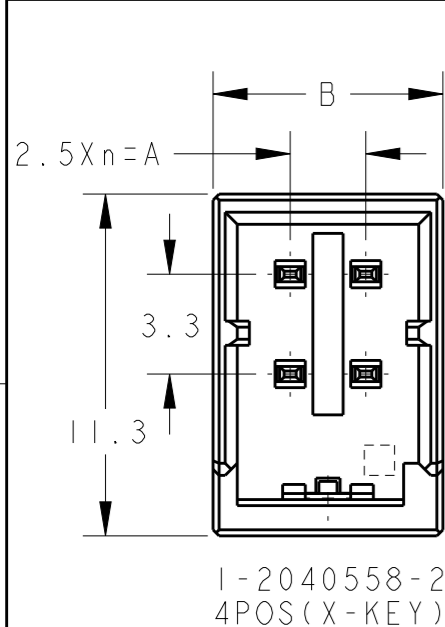
LOC

DIST

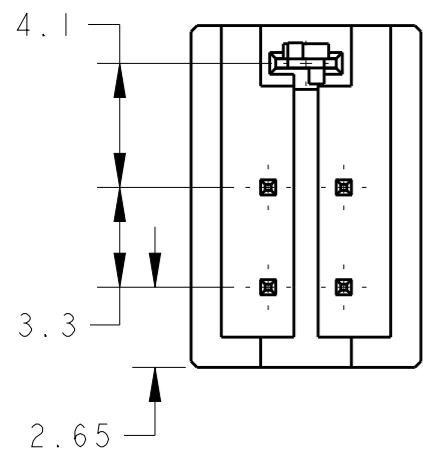
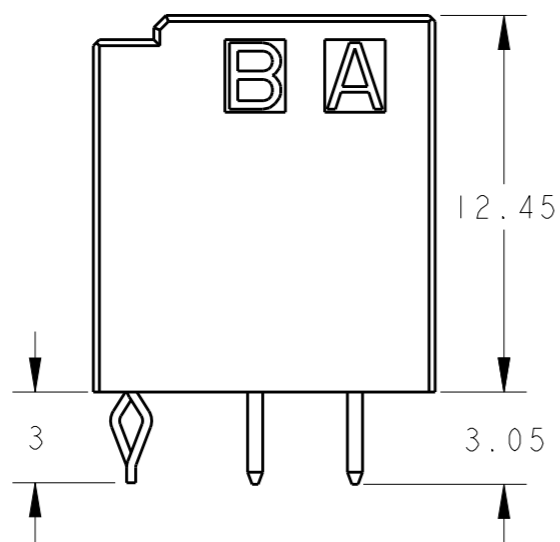
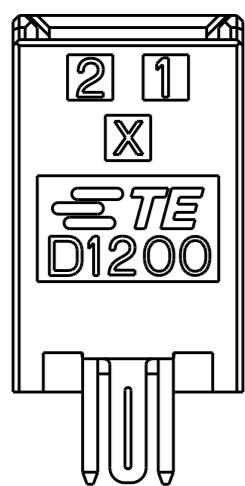
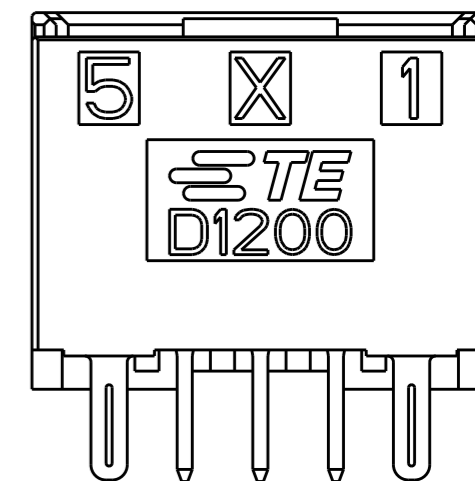
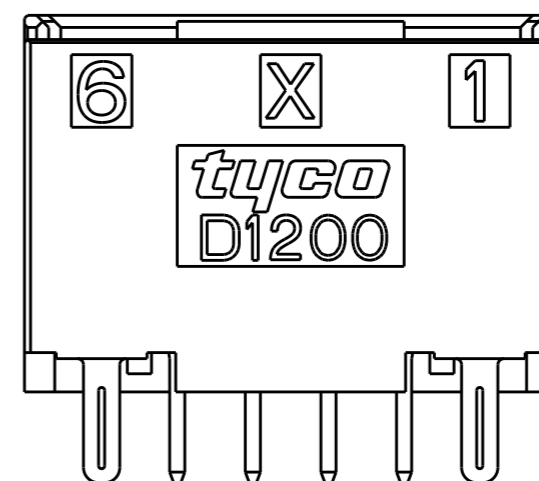
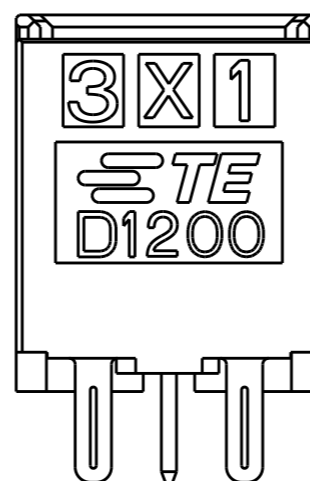
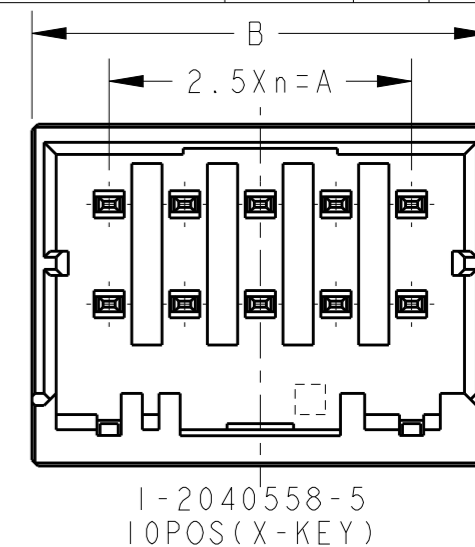
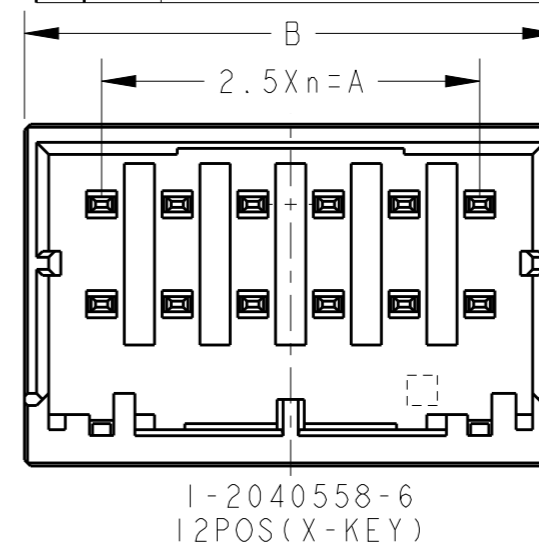
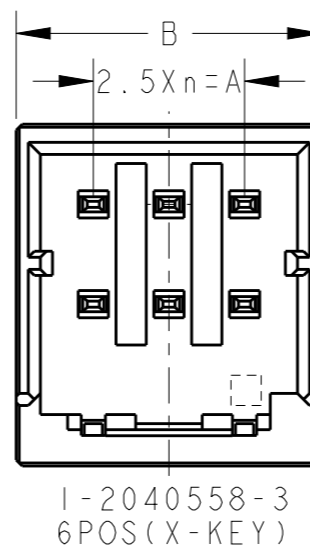
REVISIONS

© COPYRIGHT 20 BY Tyco Electronics Japan G.K. ALL RIGHTS RESERVED.

P	LTR	DESCRIPTION	DATE	DWN	APVD
		SEE SHEET 1 OF 2			



推奨基板取付穴寸法 : コネクタ搭載面 (非累積公差)
 PC基板厚 : 1.0~1.6±0.1
 RECOMMEND PC BOARD HOLE PATTERN : CONNECTOR MOUNT SIDE (NOT ACCUMULATE TOLERANCE)
 PC BOARD THICKNESS : 1.0~1.6±0.1



THIS DRAWING IS A CONTROLLED DOCUMENT.

DIMENSIONS:	TOLERANCES UNLESS OTHERWISE SPECIFIED:
mm	0 PLC ±
	1 PLC ±
	2 PLC ±
	3 PLC ±
	4 PLC ±
	ANGLES ±
MATERIAL	FINISH -

SEE SHEET 1 OF 2

DWN	M. MAEBASHI	13MAY2008
CHK	T. KUDO	13MAY2008
APVD	S. MANABE	13MAY2008
PRODUCT SPEC	108-78298	
APPLICATION SPEC	114-5377	
WEIGHT	-	
CUSTOMER DRAWING		

TE Connectivity		NAME	
		DYNAMIC D1200D 2.5mmPITCH HDR ASSY (V-TYPE) TIN PLATE 4-20POS	
SIZE	CAGE CODE	DRAWING NO	RESTRICTED TO
A3	00779	C-2040558	-
SCALE 2:1		SHEET 2 OF 2	REV C