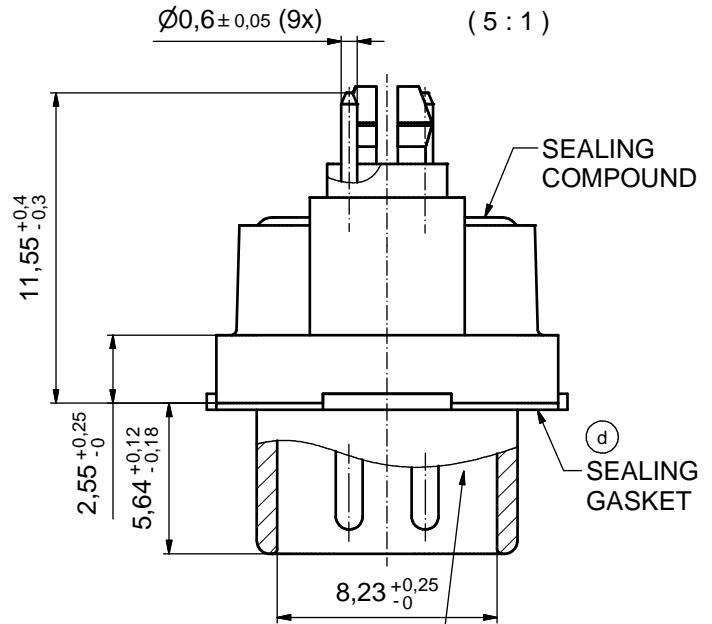
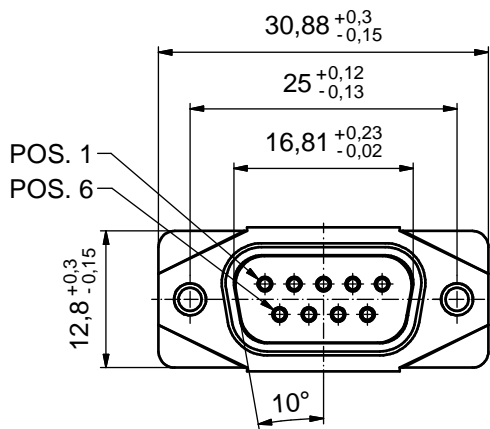
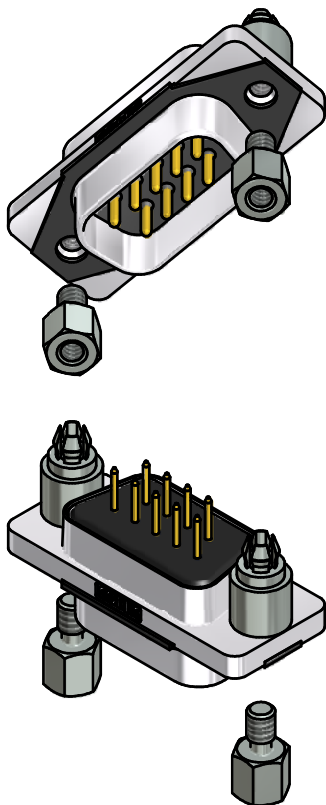
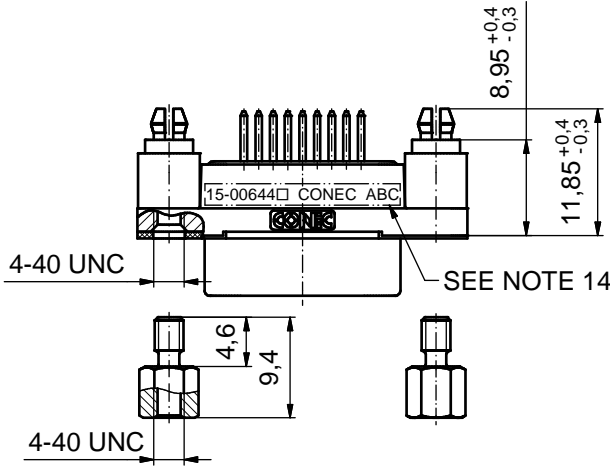


AT ALL TIMES WATER RESISTANT CONNECTORS NOT IN USE SHOULD BE COVERED WITH A CONEC WATER RESISTANT CAP OR WATER TIGHT HOOD.



RUBBER GASKET PLACED ON TOP SURFACE OF MALE INSULATOR



RoHS compliant

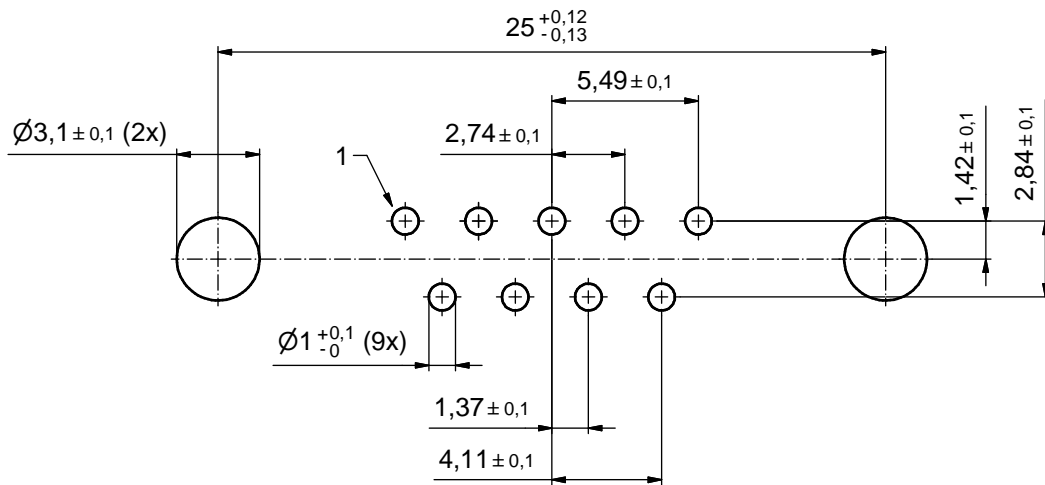
(d) NOTES:

- FOR WAVESOLDERING (SOLDER BATH TEMPERATURE 265°C FOR 8 SEC. AND SOLDER PREHEAT 150°C FOR 180 SEC.)
- IP RATING: IP 67
- SEALED TO WITHSTAND PRESSURE UP TO 1,45 PSI FOR 30 MINUTES AFTER SOLDERING
- METAL SHELL: ZINC DIE CAST; min. 50µm NICKEL PLATING over COPPER
- INSULATORS: PBT GF UL 94 V-0
- SEALING GASKET: SILICONE
- RUBBER GASKET: TPE
- SEALING COMPOUND: EPOXY
- CONTACTS: COPPER ALLOY; PLATING (SEE PART-NO.):
□ PLEASE ADD 1 for 30µm HARD GOLD over min. 50µm NICKEL
□ PLEASE ADD 3 for GOLD FLASH over NICKEL
- REAR SPACER CLIPS: COPPER ALLOY; min. 200µm TIN over 80µm NICKEL
PCB-HOLE: $\varnothing 3,1 \pm 0,1$ mm; PCB THICKNESS 1,6mm
- HEXLOCKING SCREWS: STAINLESS STEEL
- P.C.B. HOLE DRILLINGS and RECOMMENDED PANEL CUT-OUT ON SHEET 2
- RECOMMENDED TORQUE FOR MOUNTING SCREW
35Ncm (3.1 in.LB) / max. 67Ncm (6 in.LB)
- CONNECTOR IS PART MARKED: 15-00644 CONEC ABC (see note 9)

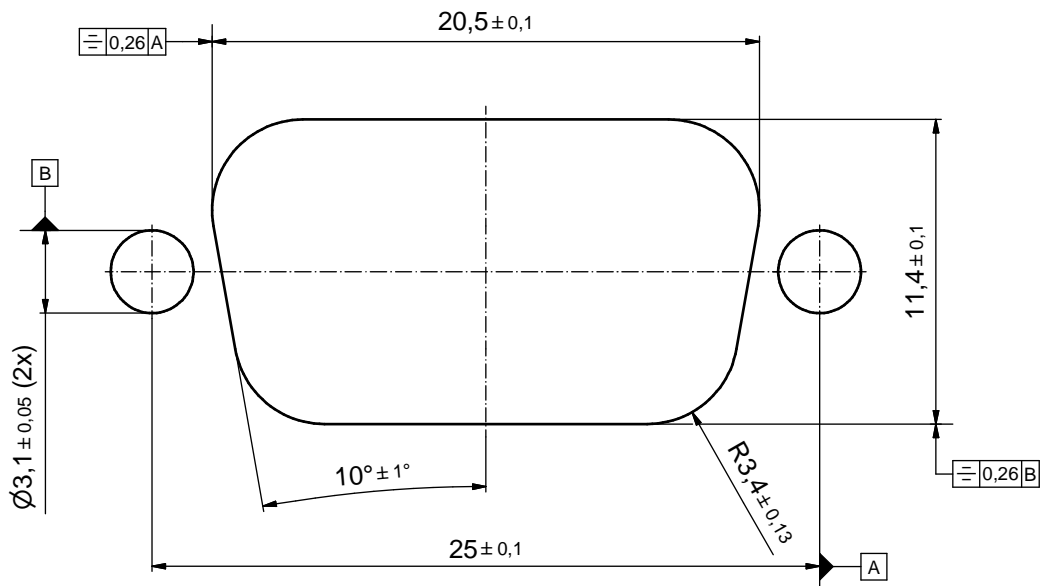
THIS DRAWING MAY NOT BE COPIED OR REPRODUCED IN ANY WAY, AND MAY NOT BE PASSED ON TO A THIRD PARTY WITHOUT WRITTEN PERMISSION. OWNERSHIP AND COPYRIGHT OF CONEC GmbH DO NOT ALTER CAD DRAWING BY HAND				tolerance		dim. in mm	scale:	2:1 (5:1)	
							material:	SEE NOTES	
				date	name	title:			
				drawn	10.09.14	Lehmenkühler	D-SUB MALE 9pos. SOLDER PIN STRAIGHT with closed 4-40 UNC thread and rear spacer clip		
				appd.	26.01.15	Fischer			
2 x d	Ä6417	17.05.17	Lehm.	norm				dwg no:	DIN-A3
1 x c	Ä5827	25.09.15	Unkrüer	d-old					
2 x b	Ä5800	04.09.15	M. H.				part no:		
a	Original				CONEC			15K1A1545	
rev.	description	date	name					sh: 1	
							part no: 15-00644 (see note 9)		

P.C.B. HOLE DRILLINGS

(P.C.B. TOP SIDE)



RECOMMENDED PANEL CUT-OUT



THIS DRAWING MAY NOT BE COPIED OR REPRODUCED IN ANY WAY, AND MAY NOT BE PASSED ON TO A THIRD PARTY WITHOUT WRITTEN PERMISSION. OWNERSHIP AND COPYRIGHT OF CONEC GmbH DO NOT ALTER CAD DRAWING BY HAND	tolerance		dim. in mm		scale: 5:1
					material: SEE SHEET 1
	drawn	10.09.14	Lehmenkühler		title: P.C.B. HOLE DRILLINGS RECOMMENDED PANEL CUT-OUT D-SUB MALE 9pos. SOLDER PIN STRAIGHT
	appd.	26.01.15	Fischer		
	norm				
d-old				dwg no:	
a	Original			15K1A1545	DIN-A3
rev.	description			date	name
				part no:	SEE SHEET 1