

THIS DRAWING IS UNPUBLISHED.

RELEASED FOR PUBLICATION

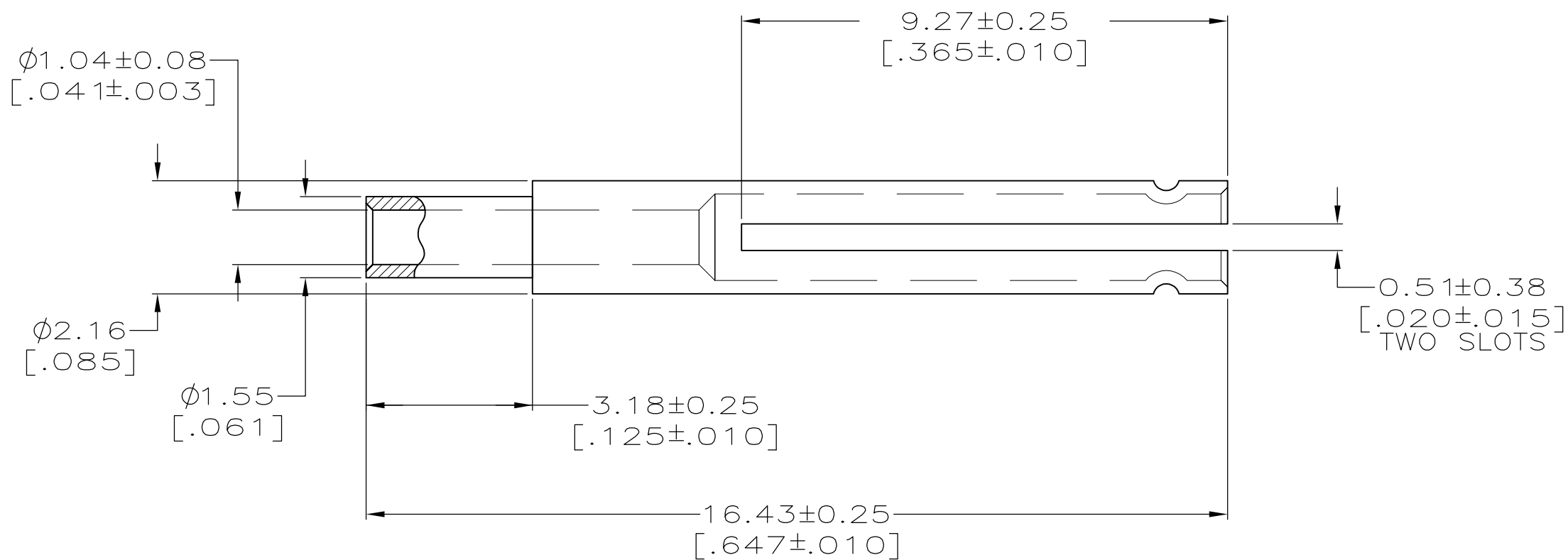
REVISIONS

© COPYRIGHT - TE Connectivity

ALL RIGHTS RESERVED.

P	LTR	DESCRIPTION	DATE	DWN	APVD
	D1	REVISED PER ECR-17-009545	18JUL2017	AS	RS

- 1 BRASS PER QQ-B-626.
- 2 TIN PER ASTM-B-545, 2.54 μm [.000100] MIN THICK.



OBSOLETE 226610-2

THIS DRAWING IS A CONTROLLED DOCUMENT.		DWN B. MOYER 02/20/92	TE Connectivity											
DIMENSIONS: INCHES		CHK M. SNEED 2-25-92												
TOLERANCES UNLESS OTHERWISE SPECIFIED:		APVD R. HENRY 2-25-92	NAME CONTACT, FEMALE, MINIATURE UHF											
<table border="0"> <tr><td>0 PLC</td><td>± -</td></tr> <tr><td>1 PLC</td><td>± -</td></tr> <tr><td>2 PLC</td><td>± 0.13 [.005]</td></tr> <tr><td>3 PLC</td><td>± -</td></tr> <tr><td>4 PLC</td><td>± -</td></tr> <tr><td>ANGLES</td><td>± -</td></tr> </table>		0 PLC				± -	1 PLC	± -	2 PLC	± 0.13 [.005]	3 PLC	± -	4 PLC	± -
0 PLC	± -													
1 PLC	± -													
2 PLC	± 0.13 [.005]													
3 PLC	± -													
4 PLC	± -													
ANGLES	± -													
MATERIAL 1		APPLICATION SPEC -	SIZE A3	CAGE CODE 00779	DRAWING NO C-226610	RESTRICTED TO -								
FINISH 2		WEIGHT 0.000000	SCALE 10:1		SHEET 1 OF 1	REV D1								
CUSTOMER DRAWING			CUSTOMER DRAWING											