

# Lighting Controls

DATE: \_\_\_\_\_ LOCATION: \_\_\_\_\_

TYPE: \_\_\_\_\_ PROJECT: \_\_\_\_\_

CATALOG #: \_\_\_\_\_

## UL924 AUTOMATIC LOAD RELAY

EMERGENCY LIGHTING CONTROL

### FEATURES

- Meets NEC Article 700 requirements for emergency lighting
- Dual voltage, 120 or 277V operation
- Normally closed contacts for emergency lighting
- Normally open contacts for 0–10V dimming override
- Provision for remote test button or fire alarm interface
- Multi-color function LED
- Suitable for use in return air plenums
- 5 year warranty



### SPECIFICATIONS

#### CONSTRUCTION

- Flame retardant UL 94-5VA
- Thermoplastic
- Black Finish
- 15oz (425.24g)
- 4.0" L x 3.4" W x 1.73" H (101.6mm L x 86.36mm W X 43.94mm H)

#### INSTALLATION

- UL2043 Plenum rated for external junction box mounting via 1/2" nipple

#### INSTALLATION (CONTINUED)

- Relative humidity (non-condensing): 0 to 90%
- Operating Temperature: -40°F to 149°F (-40°C to 65°C)

#### ELECTRICAL

- 100–277VAC; 50/60Hz
- General Purpose: 15A, 120/277V
- Ballast: 20A, 120/277V
- HP Rating: ½ HP, 250V, ¼ HP, 120V
- Motor Controller Rating: ½ HP, 120V

#### CERTIFICATIONS

- UL/cUL, UL924 Listed for emergency lighting control

#### WARRANTY

- 5 year warranty

### ORDERING GUIDE

Example: ALCR1277

CATALOG #

ALCR1277

Model

ALCR1277 UL924, Emergency load control relay, with 0–10V dimming override, 120 – 277VAC

#### Accessories

- LVS-ERTB-NP-WH Low Voltage Emergency Remote Test Button



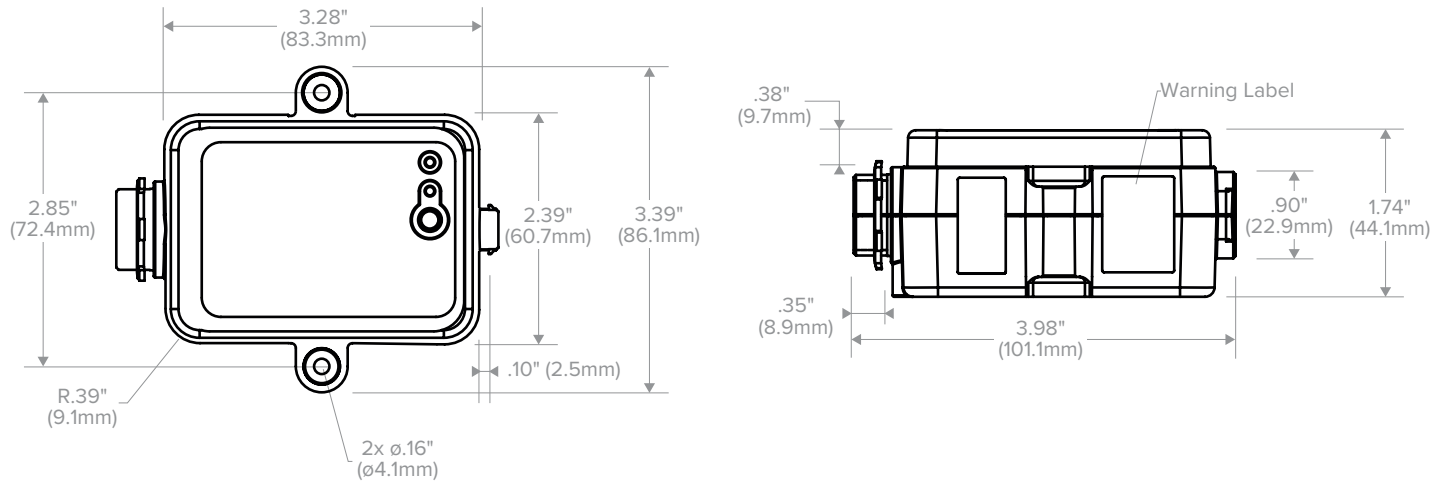
LVS-ERTB-NP-WH

# Lighting Controls

## UL924 AUTOMATIC LOAD RELAY

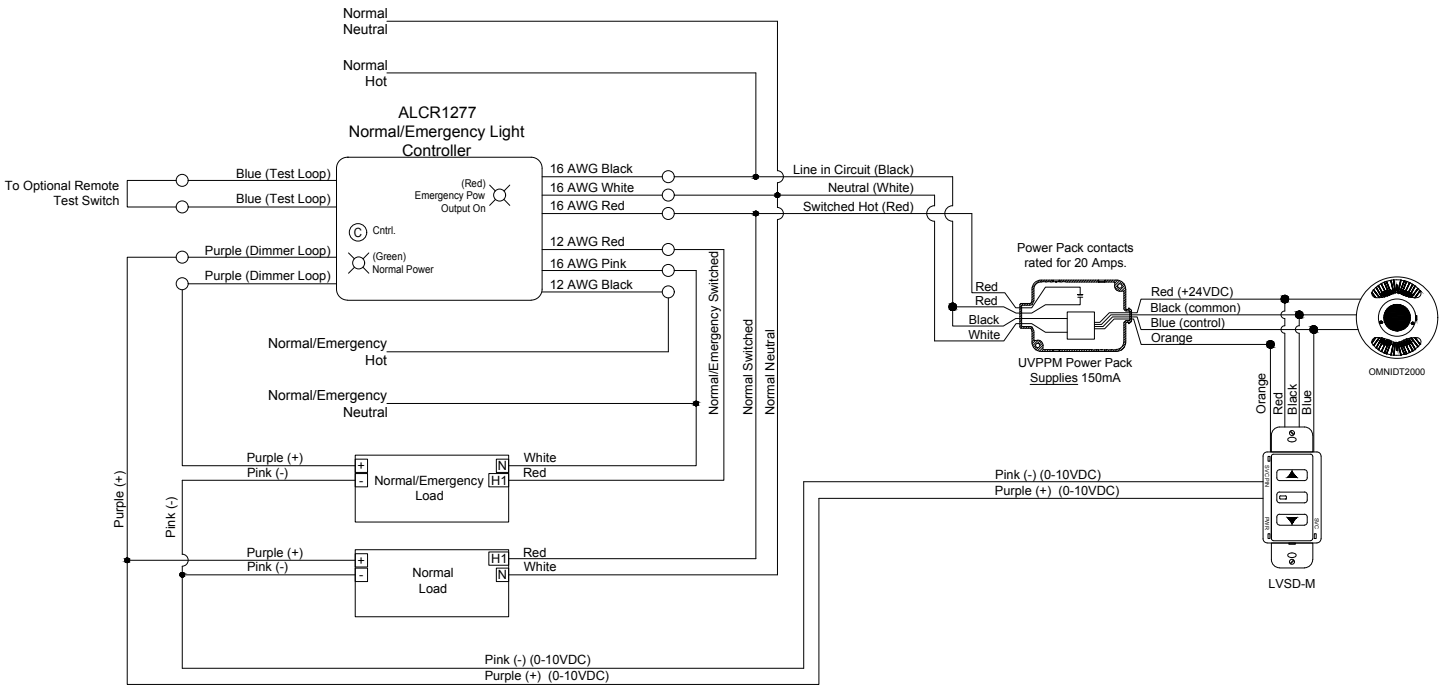
EMERGENCY LIGHTING CONTROL

### DIMENSIONS



### ADDITIONAL INFORMATION

#### Wiring Diagrams



Pink wire replaces previous gray wire. Units with a gray instead of pink wire should be wired as the pink wire shown in the diagram.

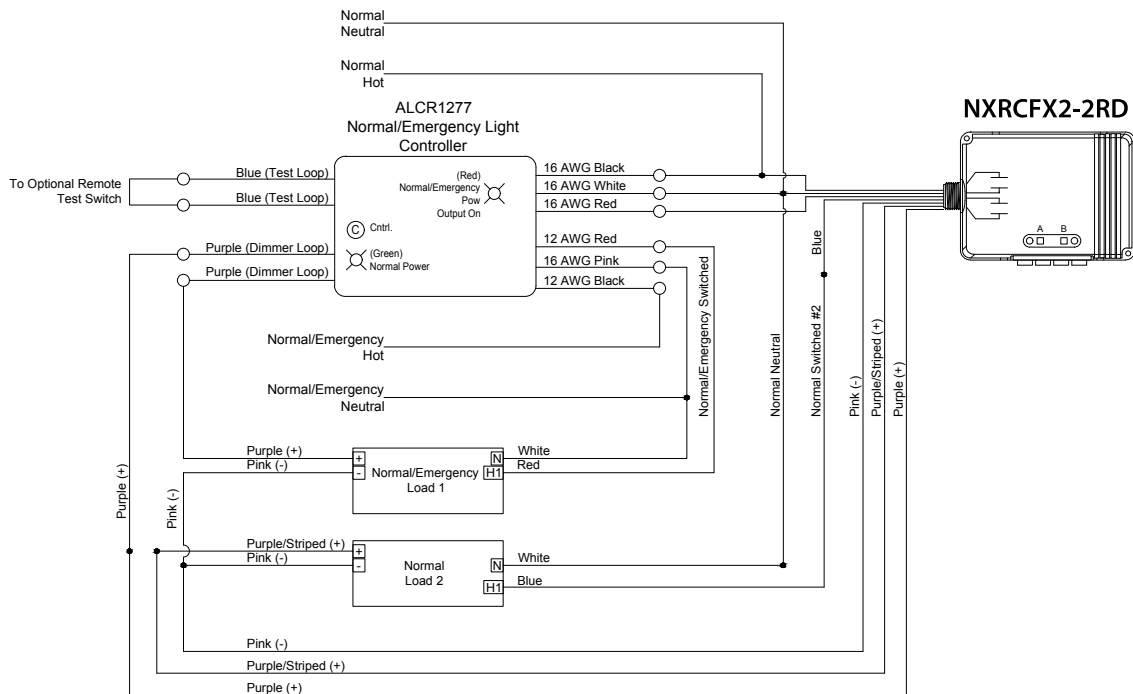
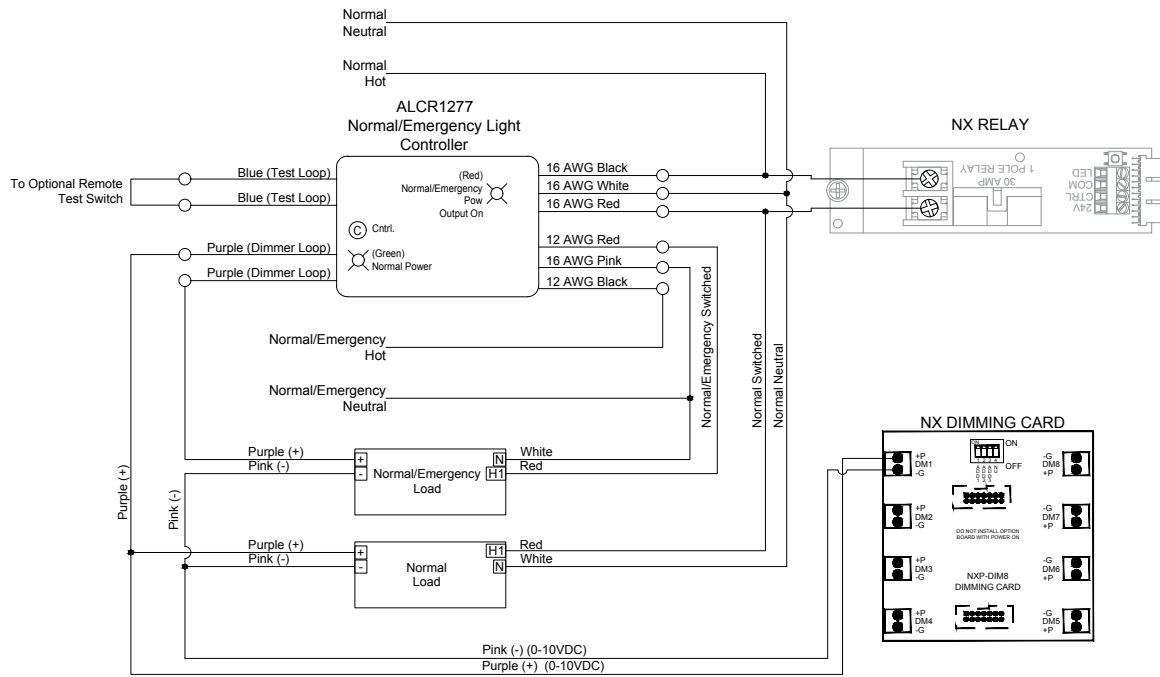
# Lighting Controls

## UL924 AUTOMATIC LOAD RELAY

EMERGENCY LIGHTING CONTROL

### ADDITIONAL INFORMATION CONTINUED

#### Wiring Diagrams



Pink wire replaces previous gray wire. Units with a gray instead of pink wire should be wired as the pink wire shown in the diagram.

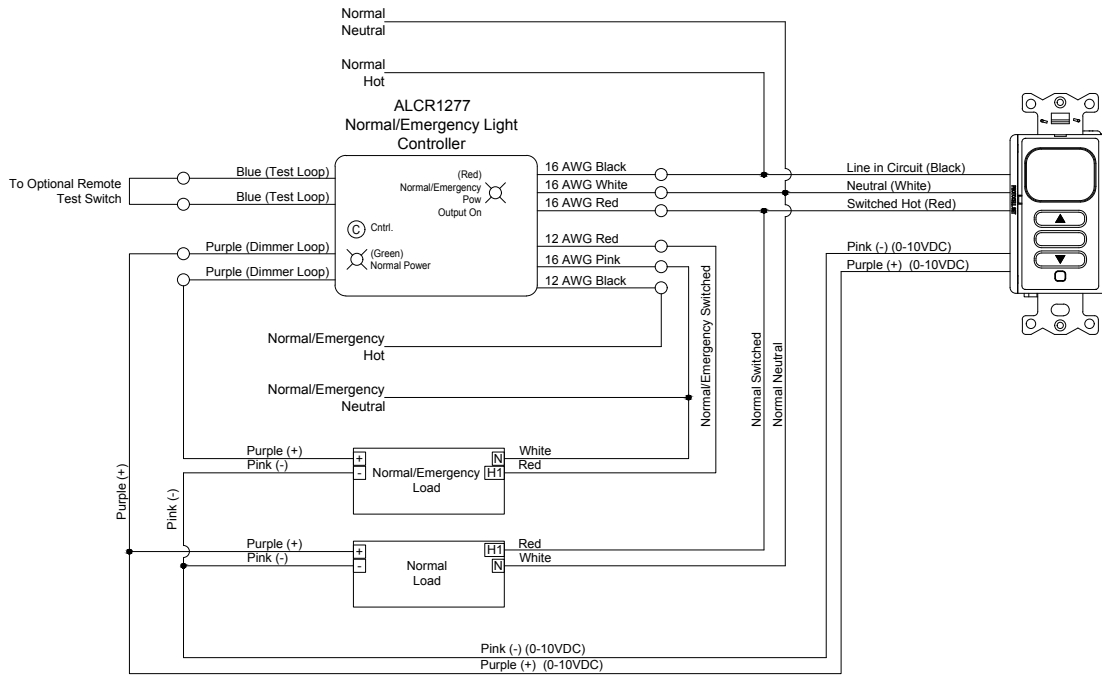
# Lighting Controls

## UL924 AUTOMATIC LOAD RELAY

EMERGENCY LIGHTING CONTROL

### ADDITIONAL INFORMATION CONTINUED

#### Wiring Diagrams



Pink wire replaces previous gray wire. Units with a gray instead of pink wire should be wired as the pink wire shown in the diagram.