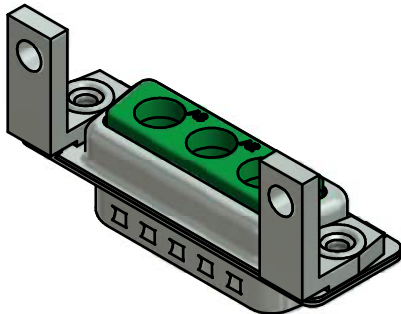
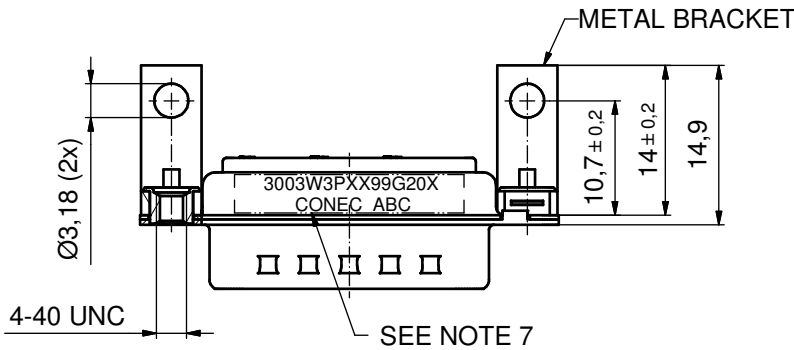
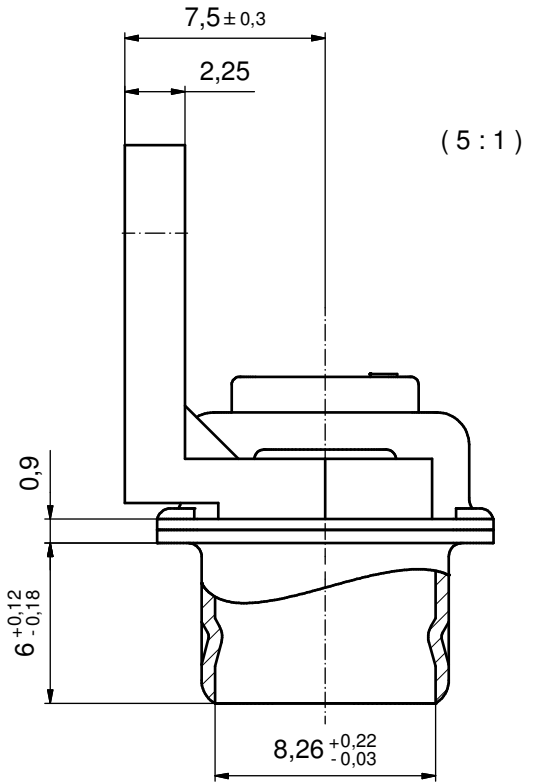
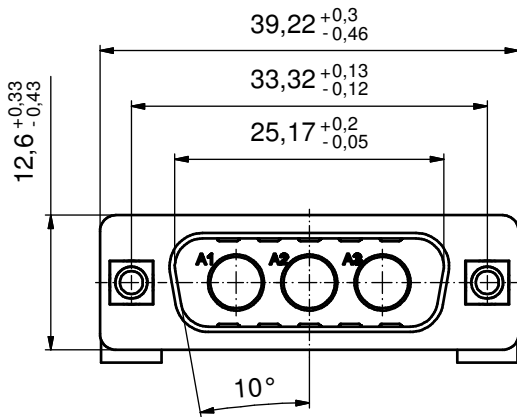


P.C.B. HOLE DRILLINGS
(P.C.B. TOP SIDE)



NOTES:

1. METALSHELLS: STEEL; min. 315µm TIN over 40-80µm NICKEL
2. INSULATOR: PBT GF UL 94 V-0; GREEN
3. NO CONTACTS ON POS. A1 - A3
4. METAL BRACKETS: ZINC DIE CAST; 300µm COPPER/40-120µm NICKEL/120-200µm TIN
5. THREADED INSERTS: COPPER ALLOY; min. 200µm TIN over 80µm NICKEL
6. MAXIMUM TORQUE VALUE FOR THREAD: 6 in.LB
7. CONNECTOR IS PART MARKED: 3003W3PXX99G20X CONEC ABC

Directive 2002/95/EC RoHS compliant

THIS DRAWING MAY NOT BE COPIED OR REPRODUCED IN ANY WAY, AND MAY NOT BE PASSED ON TO A THIRD PARTY WITHOUT WRITTEN PERMISSION. OWNERSHIP AND COPYRIGHT OF CONEC GmbH DO NOT ALTER CAD DRAWING BY HAND				tolerance	dim. in mm	scale: 2:1 (5:1)	
				date		name	material: SEE NOTES
				drawn	17.09.14	Henneboel	title: D-SUB COMBINATION MALE 90° 3W3P with threaded insert and metal bracket
				appd.	17.09.14	Lehmenkühler	
				norm			
				d-old			dwg no:
	a	Original					13K1A4774
rev.	description	date	name				part no: