

- NOTES:
1. MATERIAL: SEE TABLE
 2. FINISHES: SEE TABLE
 3. "XX" REFERS TO QUANTITY OF CIRCUITS.
 4. ROHS COMPLIANT.

ITEM	QTY.	DESCRIPTION	MATERIAL	FINISH
5	XX	SCREW&WASHER, #6-32X.250, PAN, PH/SL (-50 OPT)	STEEL	ZN, CLEAR CHROMATE
4	XX	SCREW, #6-32X.250, BHD, PH/SL (STD.)	STEEL	ZN, CLEAR CHROMATE
3	XX	TERM WIRE WRAP 6C SN-KT	BRASS	TIN PLATE
2	1	COVER, HINGE	POLYESTER (PBT)	BLACK
1	1	INSULATOR, SR, PC, CS, H W/MTG.	POLYESTER (PBT)	BLACK

INITIAL RELEASE
 EC NO: WNA2009-0404
 DRWN: JENCINAS 2009/01/15
 CHKD: C YORK 2009/01/15
 APPR: JMACNEIL 2009/01/16

QUALITY SYMBOLS
 ▽=0
 ▽=0

	GENERAL TOLERANCES (UNLESS SPECIFIED)	
	mm	INCH
4 PLACES	± ---	± ---
3 PLACES	± ---	± .005
2 PLACES	± 0.13	± .01
1 PLACE	± 0.3	± ---
ANGULAR ± 2 °		

DIMENSION STYLE	
MM/IN	
DRAWN BY	DATE
AH DALGO	2007/01/30
CHECKED BY	DATE
JENCINAS	2007/01/30
APPROVED BY	DATE
RDEROSS	2007/01/30
MATERIAL NO.	
SEE CHART	

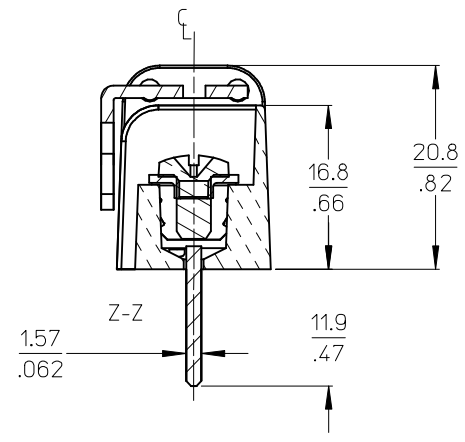
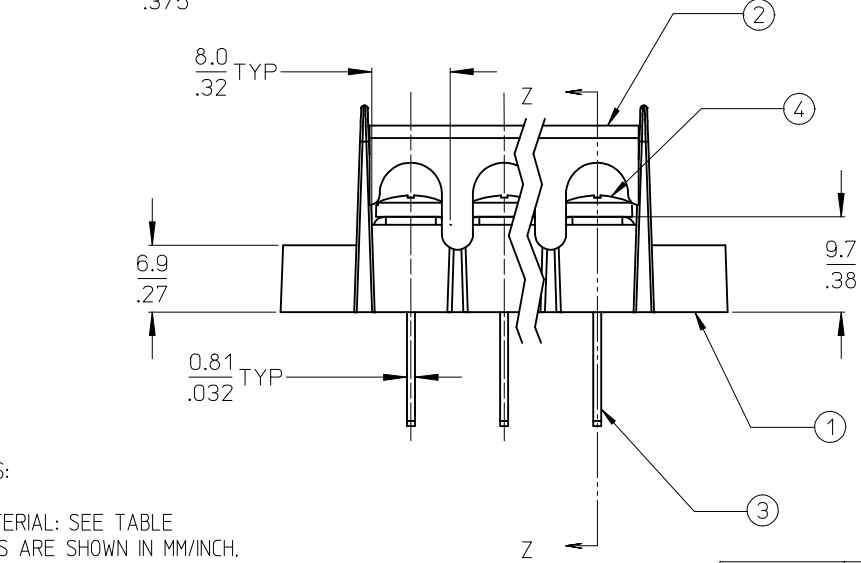
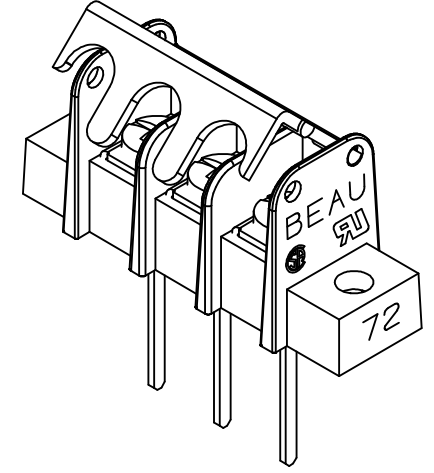
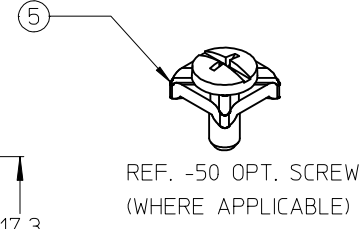
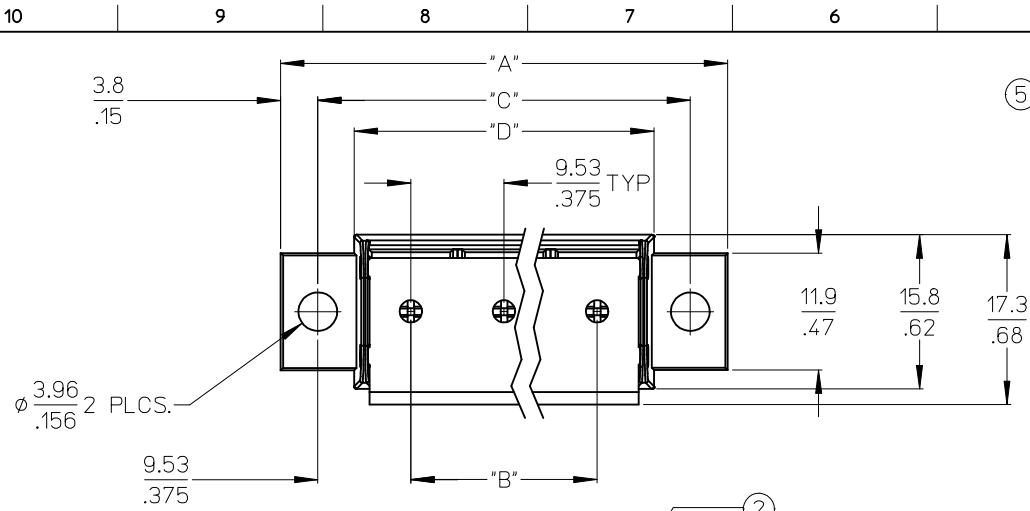
SCALE	DESIGN UNITS	THIRD ANGLE PROJECTION
2:1	INCH	☉
TITLE		
.375" PCB BTS CLOSED SIDE W/HINGED COVER		
MOLEX INCORPORATED		SHEET NO.
DOCUMENT NO. SD-38729-049		1 OF 2

DRAFT WHERE APPLICABLE MUST REMAIN WITHIN DIMENSIONS

THIS DRAWING CONTAINS INFORMATION THAT IS PROPRIETARY TO MOLEX INCORPORATED AND SHOULD NOT BE USED WITHOUT WRITTEN PERMISSION

NO. OF CIRCUITS	DIM. "A"		DIM. "B"		DIM. "C"		DIM. "D"		ASSEMBLY MATERIAL NO. (STANDARD)	ASSEMBLY MATERIAL NO. (-50 OPT)
	mm	in	mm	in	mm	in	mm	in		
02	40.1	1.58	9.53	0.375	28.58	1.125	21.1	0.83		
03	49.7	1.96	19.05	0.750	38.10	1.500	30.7	1.21		
04	59.2	2.33	28.58	1.125	47.63	1.875	40.2	1.58		387291500
05	68.7	2.71	38.10	1.500	57.15	2.250	49.7	1.96		
06	78.2	3.08	47.63	1.875	66.68	2.625	59.2	2.33	387291361	387291081
07	87.8	3.46	57.15	2.250	76.20	3.000	68.8	2.71		
08	97.3	3.83	66.68	2.625	85.73	3.375	78.3	3.08		
09	106.8	4.21	76.20	3.000	95.25	3.750	87.8	3.46		
10	116.3	4.58	85.73	3.375	104.78	4.125	97.3	3.83		
11	125.9	4.96	95.25	3.750	114.30	4.500	106.9	4.21		
12	135.4	5.33	104.78	4.125	123.83	4.875	116.4	4.58		
13	144.9	5.71	114.30	4.500	133.35	5.250	125.9	4.96		
14	154.4	6.08	123.83	4.875	142.88	5.625	135.4	5.33		
15	164.0	6.46	133.35	5.250	152.40	6.000	145.0	5.71		

SEE SHEET ONE EC NO: WNA2009-0404 DRAWN: JENCINAS 2009/01/15 CHKD: CYORK 2009/01/15 APPR: JMAGNE II 2009/01/16	QUALITY SYMBOLS ▽=0 ▽=0	GENERAL TOLERANCES (UNLESS SPECIFIED)		DIMENSION STYLE MM/IN		SCALE 2:1	DESIGN UNITS INCH	THIRD ANGLE PROJECTION		
						DRAWN BY DATE AHIDALGO 2007/01/30		TITLE .375" PCB BTS CLOSED SIDE W/HINGED COVER		
						CHECKED BY DATE JENCINAS 2007/01/30				
						APPROVED BY DATE RDEROSS 2007/01/30		MOLEX INCORPORATED		
		ANGULAR ± 2 °		MATERIAL NO.		DOCUMENT NO.		SHEET NO.		
		DRAFT WHERE APPLICABLE MUST REMAIN WITHIN DIMENSIONS		SEE CHART		SD-38729-049		2 OF 2		
				SIZE B		THIS DRAWING CONTAINS INFORMATION THAT IS PROPRIETARY TO MOLEX INCORPORATED AND SHOULD NOT BE USED WITHOUT WRITTEN PERMISSION				



- NOTES:
1. MATERIAL: SEE TABLE
 2. DIMS ARE SHOWN IN MM/INCH.
 3. "XX" REFERS TO QUANTITY OF CIRCUITS.
 4. ROHS COMPLIANT.

5	XX	SCREW&WASHER, #6-32X.250, PAN, PH/SL (-50 OPT)	STEEL	ZN, CLEAR CHROMATE
4	XX	SCREW, #6-32X.250, BHD, PH/SL (STD.)	STEEL	ZN, CLEAR CHROMATE
3	XX	TERM WIRE WRAP 6C	BRASS	TIN PLATE
2	1	COVER, HINGE	POLYESTER (PBT)	BLACK
1	1	INSULATOR, SR, PC, CS, H W/MTG.	POLYESTER (PBT)	BLACK
ITEM	QTY.	DESCRIPTION	MATERIAL	FINISH

RELEASED
 EC NO: WNA2009-0832
 DRAWN: ENC INAS 2009/07/13
 CHKD: C'YORK 2009/07/17
 APPR: JMACNE IL 2009/07/17

QUALITY SYMBOLS
 ▽=0
 ▽=0

GENERAL TOLERANCES (UNLESS SPECIFIED)	
4 PLACES	± .005
3 PLACES	± .01
2 PLACES	± 0.13
1 PLACE	± 0.3
ANGULAR ± 2 °	
DRAFT WHERE APPLICABLE MUST REMAIN WITHIN DIMENSIONS	

DIMENSION STYLE	
MM/IN	
DRAWN BY	DATE
J. ENCINAS	2009/07/10
CHECKED BY	DATE
C. YORK	2009/07/10
APPROVED BY	DATE
J. MACNEIL	2009/07/10
MATERIAL NO.	
SEE CHART	

SCALE	DESIGN UNITS	THIRD ANGLE PROJECTION
2:1	INCH	
TITLE		
.375" PCB BTS CLOSED SIDE W/HINGED COVER		
MOLEX INCORPORATED		SHEET NO.
DOCUMENT NO. SD-38729-053		1 OF 2
THIS DRAWING CONTAINS INFORMATION THAT IS PROPRIETARY TO MOLEX INCORPORATED AND SHOULD NOT BE USED WITHOUT WRITTEN PERMISSION		

NO. OF CIRCUITS	DIM. "A"		DIM. "B"		DIM. "C"		DIM. "D"		ASSEMBLY MATERIAL NO. (STANDARD)	ASSEMBLY MATERIAL NO. (-50 OPT)	INSULATOR MATERIAL NO.	COVER MATERIAL NO.
	mm	in	mm	in	mm	in	mm	in				
02	40.1	1.58	9.53	0.375	28.58	1.125	21.1	0.83			397280102	397282135
03	49.7	1.96	19.05	0.750	38.10	1.500	30.7	1.21			397280103	397282136
04	59.2	2.33	28.58	1.125	47.63	1.875	40.2	1.58		387291500	397280104	397282137
05	68.7	2.71	38.10	1.500	57.15	2.250	49.7	1.96			397280105	397282138
06	78.2	3.08	47.63	1.875	66.68	2.625	59.2	2.33	387291361	387291081	397280106	397282139
07	87.8	3.46	57.15	2.250	76.20	3.000	68.8	2.71	387291648		397280107	397282140
08	97.3	3.83	66.68	2.625	85.73	3.375	78.3	3.08			397280108	397282141
09	106.8	4.21	76.20	3.000	95.25	3.750	87.8	3.46			397280109	397282142
10	116.3	4.58	85.73	3.375	104.78	4.125	97.3	3.83			397280110	397282143
11	125.9	4.96	95.25	3.750	114.30	4.500	106.9	4.21			397280111	397282144
12	135.4	5.33	104.78	4.125	123.83	4.875	116.4	4.58			397280112	397282145
13	144.9	5.71	114.30	4.500	133.35	5.250	125.9	4.96			397280113	397282146
14	154.4	6.08	123.83	4.875	142.88	5.625	135.4	5.33			397280114	397282147
15	164.0	6.46	133.35	5.250	152.40	6.000	145.0	5.71			397280115	397282148

SEE SHEET ONE EC NO: WNA2009-0832 DRAWN: JENCINAS 2009/07/13 CHKD: CYORK 2009/07/17 APPR: JMACNEIL 2009/07/17	QUALITY SYMBOLS	GENERAL TOLERANCES (UNLESS SPECIFIED)	DIMENSION STYLE	SCALE	DESIGN UNITS	THIRD ANGLE PROJECTION	
	▽=0 ▽=0	mm	MM/IN	2:1	INCH	.375" PCB BTS CLOSED SIDE W/HINGED COVER	
		INCH					
		4 PLACES ± --- ± ---	DRAWN BY DATE	TITLE MOLEX INCORPORATED			
		3 PLACES ± --- ± .005	J. ENCINAS 2009/07/10				
	2 PLACES ± 0.13 ± .01	CHECKED BY DATE	DOCUMENT NO. SD-38729-053 SHEET NO. 2 OF 2				
	1 PLACE ± 0.3 ± ---	C. YORK 2009/07/10					
	ANGULAR ± 2 °	APPROVED BY DATE	THIS DRAWING CONTAINS INFORMATION THAT IS PROPRIETARY TO MOLEX INCORPORATED AND SHOULD NOT BE USED WITHOUT WRITTEN PERMISSION				
		J. MACNEIL 2009/07/10					
	DRAFT WHERE APPLICABLE MUST REMAIN WITHIN DIMENSIONS	MATERIAL NO.					
		SIZE B					