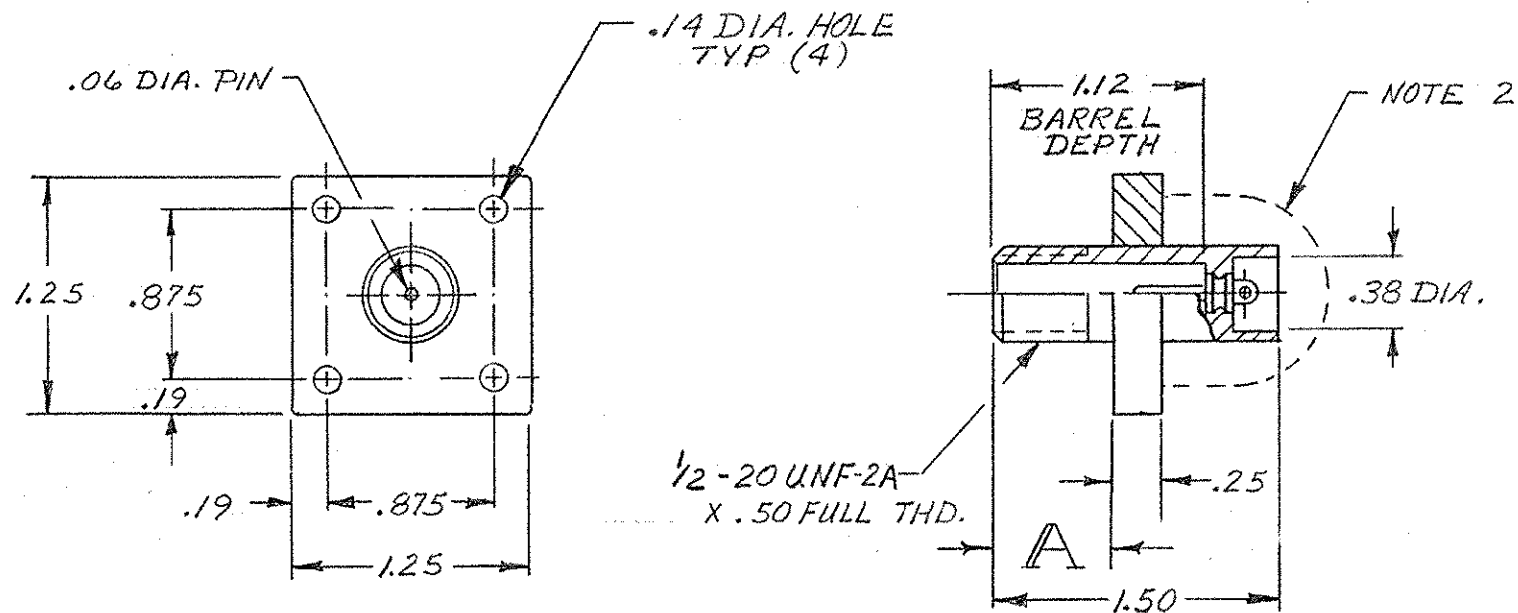


©1969 BY AMP INCORPORATED. ALL RIGHTS RESERVED. AMP PRODUCTS COVERED BY PATENTS AND/OR PATENTS PENDING.

THIS PRODUCT DESIGNED AND BUILT BY AMP INCORPORATED. NO LICENSE TO USE THAT DESIGN IN MANUFACTURE, OR TO USE ANY ISSUED OR PENDING PATENTS WHICH ARE INVOLVED, IS IMPLIED.

REVISIONS				
ZONE	LTR	DESCRIPTION	DATE	APPROVED
	A	REV. POSITION OF Δ DIM (ECN 416A)	12/18/73	RE JMY
	B	REV. PER E.C.N 8678	AG 3-1-79	M. J.
	C	OBS-RECND F 6376	2/2-89	T.W.
	D	REV PER OH4-0192-05	1-06	PY



NOTE:

1. RECEPTACLE TO MATE WITH AMP LGH-1 LEAD ASSEMBLY, AVAILABLE SEPARATELY.

2. CUSTOMER MUST PROTECT THE RECEPTACLES BACK END AGAINST ARC OVER & BREAKDOWN.

PART NO.	"A"	TERMINAL PLATING			OBSOLETE
		TIN-LEAD	GOLD	TIN	
849611-1	.63	X			
849611-2	.63		X		
5-849611-1	.63			X	

ITEM NO.	DWG SIZE	PART OR IDENTIFYING NO.	NOMENCLATURE OR DESCRIPTION	SYMBOL
----------	----------	-------------------------	-----------------------------	--------

UNLESS OTHERWISE SPECIFIED: DIMENSIONS ARE IN INCHES TOLERANCES .00 ± .04 ANGLES = .000 ± .015				CONTRACT NO. DR <i>L. Hill</i> 4-17-69		AMP INCORPORATED CAPITRON DIVISION ELIZABETHTOWN, PENNSYLVANIA	
MATERIAL: GLASS EPOXY MOLDED				CHK			
FINISH: BLACK				APPD <i>E. Johnson</i> 4/18/69		SIZE B	
NEXT ASSY				OTHER APPD		CODE IDENT NO.	
FINAL ASSY				QTY REQD		NUMBER 849611	
NEXT ASSY				APPLICATION		SCALE <i>1:1</i>	
USED ON						SHEET 1 OF 1	

PRINT DIST 50 DF