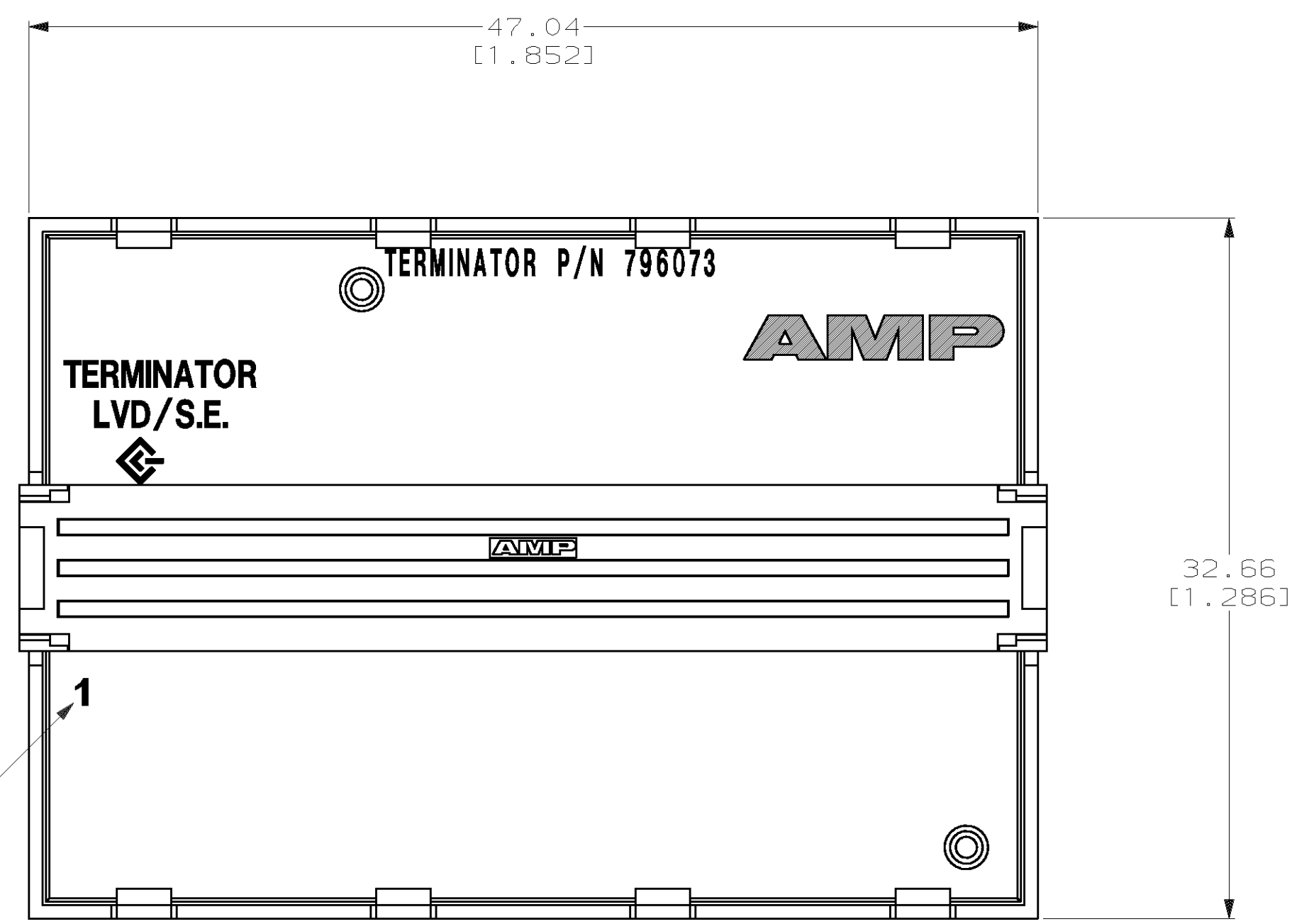
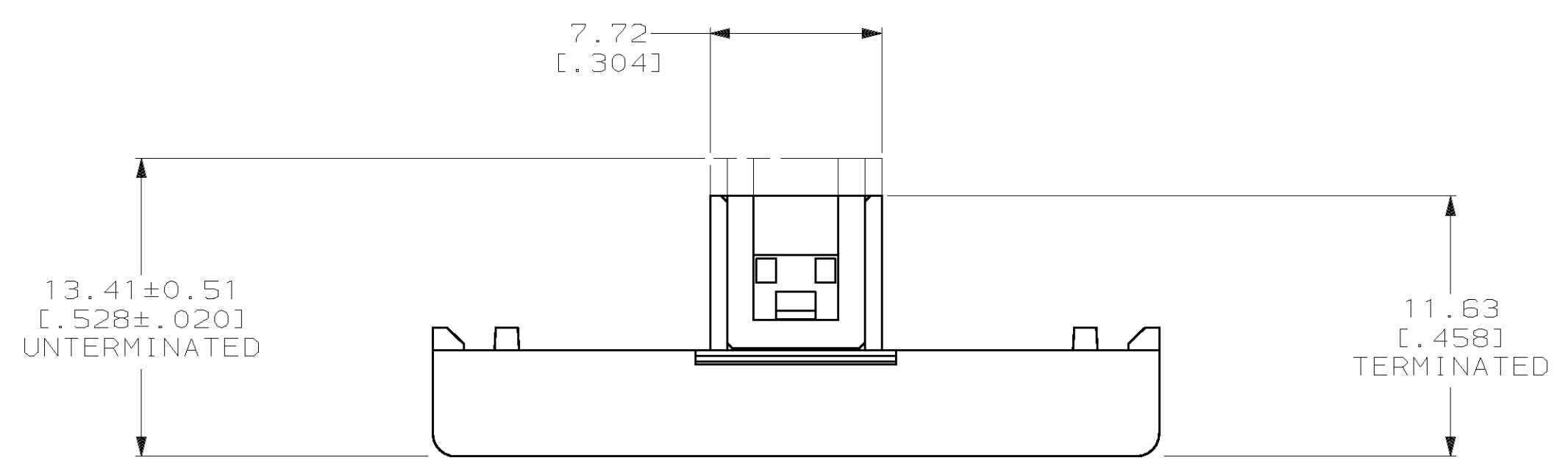
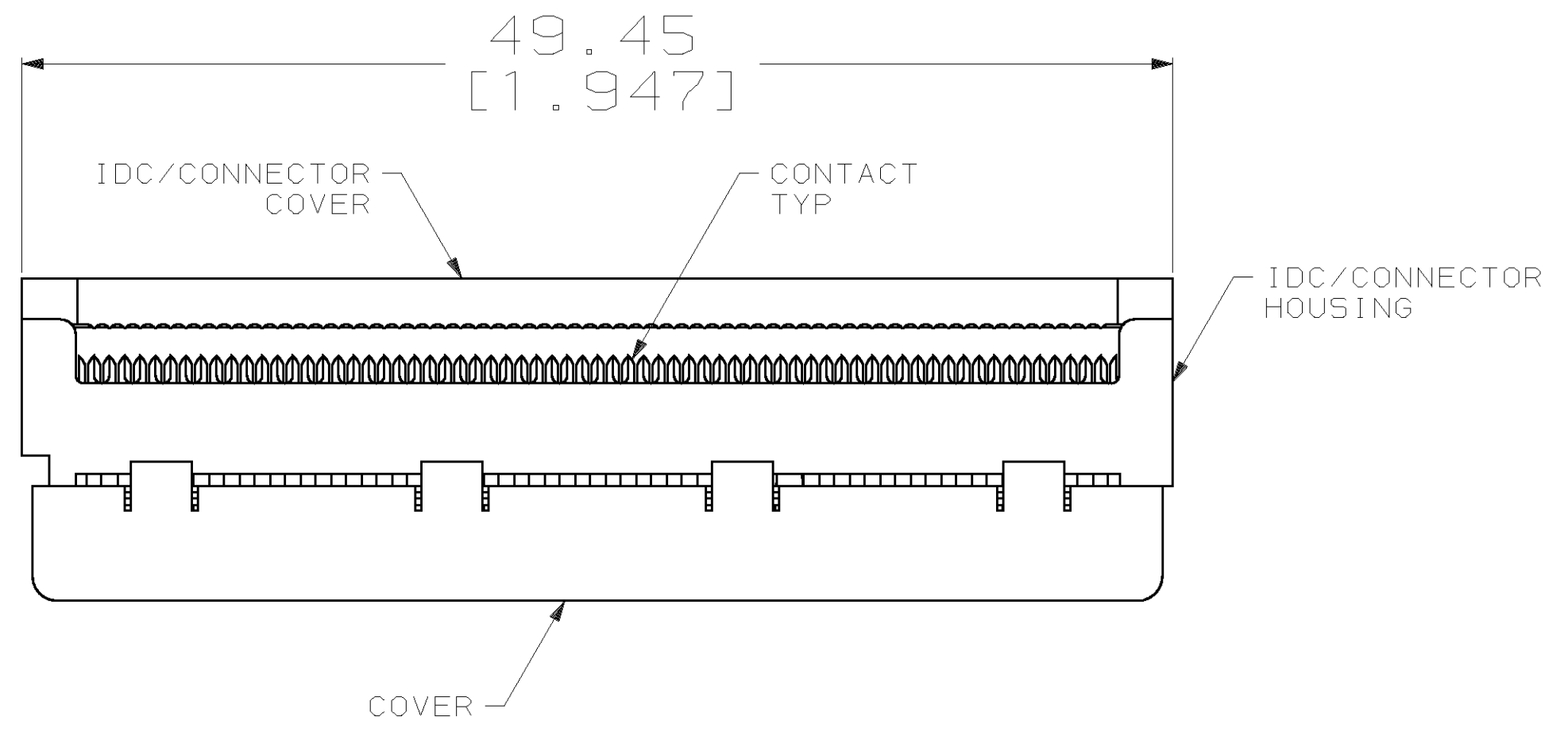


REV	BY	DATE	DESCRIPTION	DATE	BY	REASON
0	RLSE	-1 PER NPR 5690, WAS 97-4163-76		04 FEB 98		-
A	REV PER EC	0640-147-98		23 MAY 98	PB	PR
B	REV PER EC	0640-504-98		11 DEC 98	BC	PR
C	REV PER	0520-0306-02		03 JUN 02	TS	RF
D	REVISE PER	0520-0934-03		24 DEC 03	EC	RF

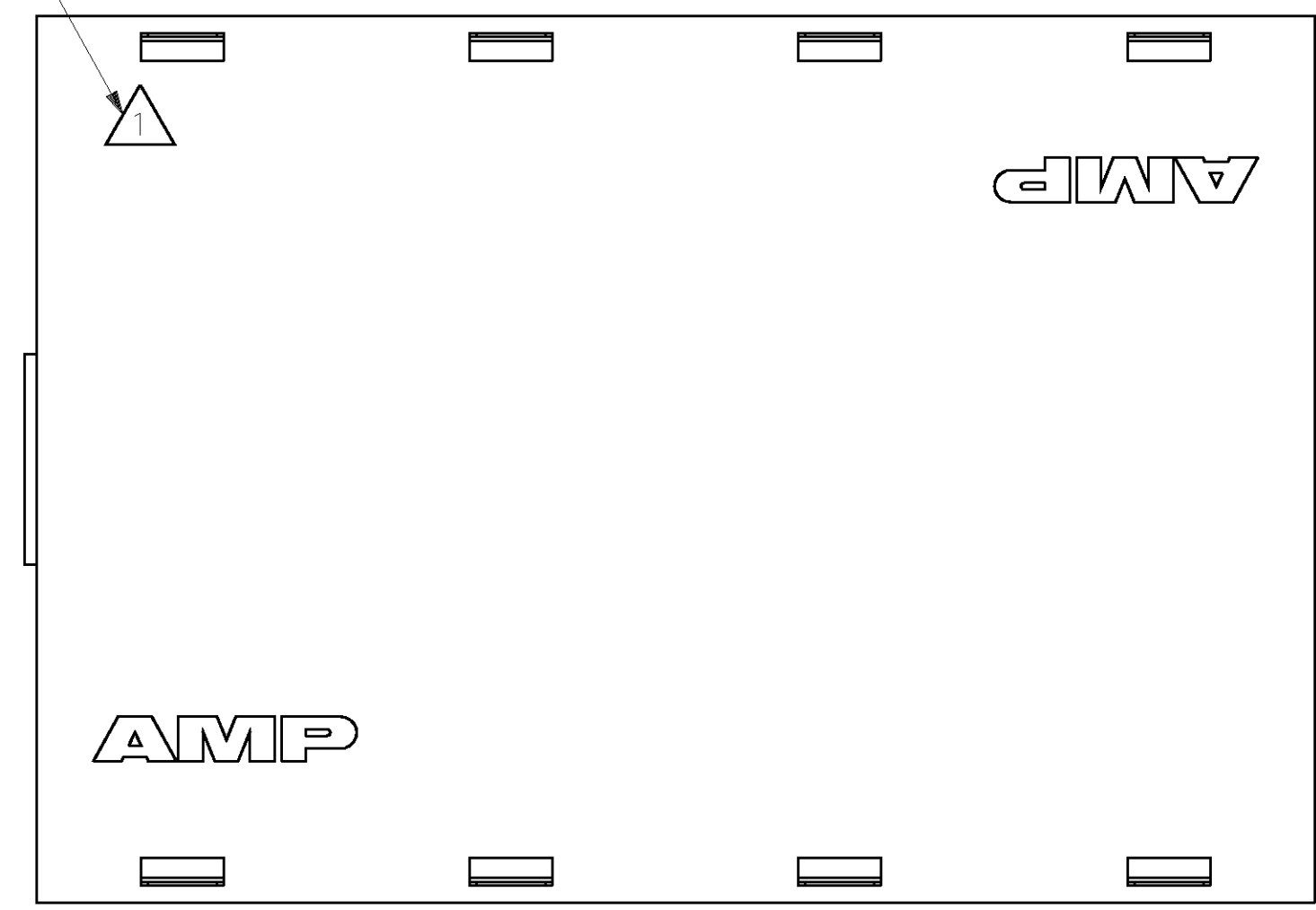


SIGNAL NAME (SINGLE-ENDED MODE)	SIGNAL NAME (LVD MODE)	CABLE CONDUCTOR NUMBER	SIGNAL NAME (LVD MODE)	SIGNAL NAME (SINGLE-ENDED MODE)
GROUND	+DB (12)	1	2	-DB (12)
GROUND	+DB (13)	3	4	-DB (13)
GROUND	+DB (14)	5	6	-DB (14)
GROUND	+DB (15)	7	8	-DB (15)
GROUND	+DB (P1)	9	10	-DB (P1)
GROUND	+DB (0)	11	12	-DB (0)
GROUND	+DB (1)	13	14	-DB (1)
GROUND	+DB (2)	15	16	-DB (2)
GROUND	+DB (3)	17	18	-DB (3)
GROUND	+DB (4)	19	20	-DB (4)
GROUND	+DB (5)	21	22	-DB (5)
GROUND	+DB (6)	23	24	-DB (6)
GROUND	+DB (7)	25	26	-DB (7)
GROUND	+DB (P)	27	28	-DB (P)
GROUND	GROUND	29	30	GROUND
GROUND	DIFFSENS	31	32	GROUND
TERMPWR	TERMPWR	33	34	TERMPWR
TERMPWR	TERMPWR	35	36	TERMPWR
OPEN	OPEN	37	38	OPEN
GROUND	GROUND	39	40	GROUND
GROUND	+ATN	41	42	-ATN
GROUND	GROUND	43	44	GROUND
GROUND	+BSY	45	46	-BSY
GROUND	+ACK	47	48	-ACK
GROUND	+RST	49	50	-RST
GROUND	+MSG	51	52	-MSG
GROUND	+SEL	53	54	-SEL
GROUND	+C/D	55	56	-C/D
GROUND	+REQ	57	58	-REQ
GROUND	+I/O	59	60	-I/O
GROUND	+DB (8)	61	62	-DB (8)
GROUND	+DB (9)	63	64	-DB (9)
GROUND	+DB (10)	65	66	-DB (10)
GROUND	+DB (11)	67	68	-DB (11)

CONTACT ASSIGNMENT TABLE



- ⚠️ IDC/CONNECTOR HOUSING: LCP, BLACK, UL 94V-0 RATED.
IDC/CONNECTOR COVER: POLYESTER, BLACK OR GREY, UL 94V-0 RATED.
COVER: ABS, BLACK, UL 94V-0 RATED.
CONTACTS: BERYLLIUM COPPER.
PRINTED CIRCUIT BOARD: LAMINATED COPPER CLAD PLASTIC.
- ⚠️ CONTACTS: 2.54µm[.000100] MIN TIN-LEAD OVER 1.27µm[.000050] MIN NICKEL.
- 3. LOW VOLTAGE DIFFERENTIAL (LVD) TERMINATION CIRCUIT PER SP1-2 ELECTRICAL INTERFACE STANDARD (REV 09).



OBSOLETE	796073-2
	796073-1
PART NUMBER	

THIS DRAWING IS A CONTROLLED DOCUMENT.

DIMENSIONS: mm (INCHES)	TOLERANCES UNLESS OTHERWISE SPECIFIED:	DWN: D. HARDY 04 FEB 98	AMP Incorporated
0 PLC ±-	0.13 (1.005)	CHK: R. STONE 05 FEB 98	Harrisburg, PA 17105-3608
1 PLC ±-		APVD: J. VANDYKE 05 FEB 98	
2 PLC ±-		NAME: J. VANDYKE	
3 PLC ±-		PRODUCT SPEC: -	
4 PLC ±-		APPLICATION SPEC: -	
ANGLES: ±-		SIZE: A1	
MATERIAL: ⚠️	FINISH: ⚠️	SCALE: 4:1	
		WEIGHT: -	
		CUSTOMER DRAWING	

RESTRICTED TO: 1 OF 1 REV D