



Ultra-Fast | Ultra-Fast 110

TE Internal #: 9-520272-2

Quick Disconnects, Receptacle, 22 – 18 AWG Wire Size, .32 – .82 mm<sup>2</sup> Wire Size, Mating Tab Width 3.18 mm / 2.8 mm [.11 in / .125 in], Ultra-Fast 110

[View on TE.com >](#)

Terminals & Splices > Quick Disconnects



Quick Disconnect Terminal Type: **Receptacle**

Wire Size: .32 – .82 mm<sup>2</sup>

Mating Tab Width: 2.8 mm, 3.18 mm [.11 in, .125 in]

Mating Tab Thickness: .81 mm [.032 in]

### Features

#### Product Type Features

Terminal Features	Wire Stop
Insertion Force	Normal

#### Configuration Features

Connection Capacity	Single
Compatible With Wire & Cable Type	Discrete Wire

#### Electrical Characteristics

Voltage Rating	600 V
----------------	-------

#### Body Features

Insulation Material	Nylon
---------------------	-------

#### Contact Features

Quick Disconnect Terminal Type	Receptacle
Mating Tab Width	2.8 mm, 3.18 mm [.11 in] [.125 in]
Mating Tab Thickness	.81 mm [.032 in]
Terminal Orientation	Straight



Contact Base Material	Brass
Terminal Plating Material	Tin
Crimp Type	F-Crimp
Barrel Type	Closed

### Termination Features

Product Terminates To	Wire & Cable
-----------------------	--------------

### Mechanical Attachment

Wire Insulation Support	With
Mating Retention Type	Dimple

### Dimensions

Terminal Material Thickness	.41 mm[.016 in]
Product Length	18.7 mm[.735 in]
Compatible Insulation Diameter Range	3.05 mm[.12 in]
Wire Size	.32 – .82 mm <sup>2</sup>

### Usage Conditions

Insulation Option	Fully Insulated
Operating Temperature Range	-40 – 110 °C[-40 – 230 °F]

### Industry Standards

Agency/Standard	UL
UL Flammability Rating	UL 94V-2

### Packaging Features

Packaging Quantity	3000
Packaging Method	Strip/Reel

### Other

Barrel Color	Black
--------------	-------

### Product Compliance

[For compliance documentation, visit the product page on TE.com>](#)

EU RoHS Directive 2011/65/EU	Compliant
EU ELV Directive 2000/53/EC	Compliant
China RoHS 2 Directive MIIT Order No 32, 2016	No Restricted Materials Above Threshold
EU REACH Regulation (EC) No. 1907/2006	



Current ECHA Candidate List: JUNE 2023 (235)  
 Candidate List Declared Against: JUNE 2023 (235)  
 Does not contain REACH SVHC

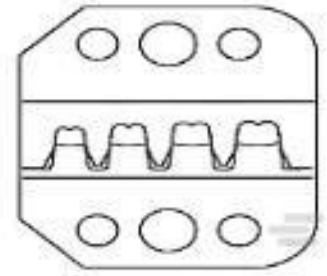
Halogen Content Low Halogen - Br, Cl, F, I < 900 ppm per homogenous material. Also BFR/CFR/PVC Free

Solder Process Capability Not applicable for solder process capability

Product Compliance Disclaimer

This information is provided based on reasonable inquiry of our suppliers and represents our current actual knowledge based on the information they provided. This information is subject to change. The part numbers that TE has identified as EU RoHS compliant have a maximum concentration of 0.1% by weight in homogenous materials for lead, hexavalent chromium, mercury, PBB, PBDE, DBP, BBP, DEHP, DIBP, and 0.01% for cadmium, or qualify for an exemption to these limits as defined in the Annexes of Directive 2011/65/EU (RoHS2). Finished electrical and electronic equipment products will be CE marked as required by Directive 2011/65/EU. Components may not be CE marked. Additionally, the part numbers that TE has identified as EU ELV compliant have a maximum concentration of 0.1% by weight in homogenous materials for lead, hexavalent chromium, and mercury, and 0.01% for cadmium, or qualify for an exemption to these limits as defined in the Annexes of Directive 2000/53/EC (ELV). Regarding the REACH Regulation, the information TE provides on SVHC in articles for this part number is based on the latest European Chemicals Agency (ECHA) 'Guidance on requirements for substances in articles' posted at this URL: <https://echa.europa.eu/guidance-documents/guidance-on-reach>

### Compatible Parts



TE Part # 58628-2  
PROCIMP DIESET 26-14 ULTRAFAST



TE Part # 58628-1  
PROCIMP T&D 26-14 ULTRAFAST



TE Part # 90390-3  
DIES ULTRA-FAST FASTON 22-18 DIE SET



TE Part # 2-2151698-2  
OCEAN\_2.0\_APPLICATOR-S-FA-1760



TE Part # 2151698-2  
OCEAN\_2.0\_APPLICATOR-S-FA-1760



TE Part # 7-2151698-2  
OCEAN\_2.0\_APPLICATOR-S-FA-1760



TE Part # 7-2151698-7  
OCEAN\_2.0\_SPARE\_PART\_KIT-1760

Also in the Series | **Ultra-Fast 110**



Quick Disconnects(14)

## Customers Also Bought



TE Part #9-965382-2  
8POS MQS REC COD Z



TE Part #928884-2  
110 FASTON FLAG REC 22-18 AWG BR



TE Part #925015  
FF 110 REC HSG 3P NYLON NAT



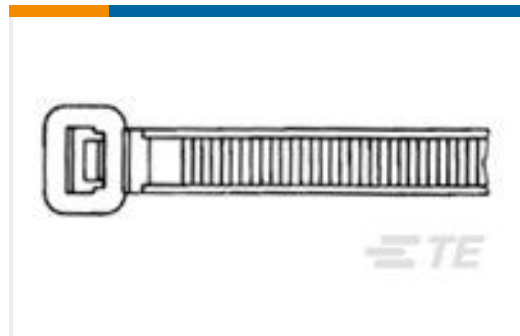
TE Part #6-1419167-1  
2X8 MALE INLINE ASSY KEY A



TE Part #2822344-1  
MINI MLC CAP HSG ASSY 7P



TE Part #917309-1  
MINI MLC CONN. TAB CONT.



TE Part #2-160967-2  
CABLE TY 98X2.5 BLA



TE Part #965383-1  
MQS SICHERGSCHIEBER 8POS



TE Part #2-2208018-1  
22POS,0.64 MALE GEN. Y,PIN HSG, ASSY



TE Part #2236139-1  
BLIND CONNECTOR,TE,MCON 0,5

## Documents

### Product Drawings

[ULTRA-FAST .110/.125 ASY REC 22-18 TPBR](#)

English

### CAD Files

[3D PDF](#)

3D

### Customer View Model

[ENG\\_CVM\\_CVM\\_9-520272-2\\_J.2d\\_dxf.zip](#)



English

**Customer View Model**

[ENG\\_CVM\\_CVM\\_9-520272-2\\_J.3d\\_igs.zip](#)

English

**Customer View Model**

[ENG\\_CVM\\_CVM\\_9-520272-2\\_J.3d\\_stp.zip](#)

English

By downloading the CAD file I accept and agree to the [Terms and Conditions](#) of use.

---

**Datasheets & Catalog Pages**

**Ultra-Fast and Ultra Fast Plus**

English

---

**Product Specifications**

**Application Specification**

English

---

**Product Environmental Compliance**

[MD\\_9-520272-2\\_100220182330\\_dmtec](#)

English

[MD\\_9-520272-2\\_100220182330\\_dmtec](#)

English

---

**Agency Approvals**

**Agency Approval Document**

English