

6

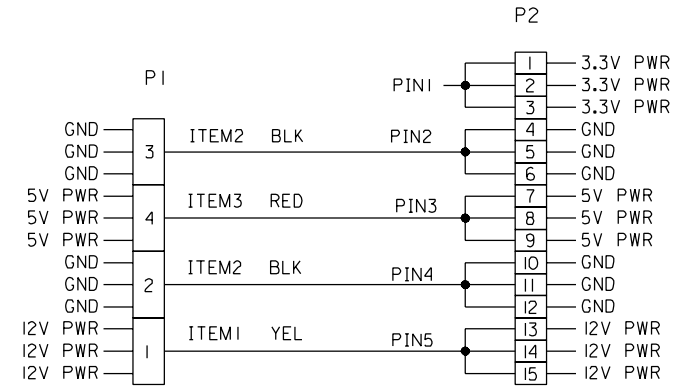
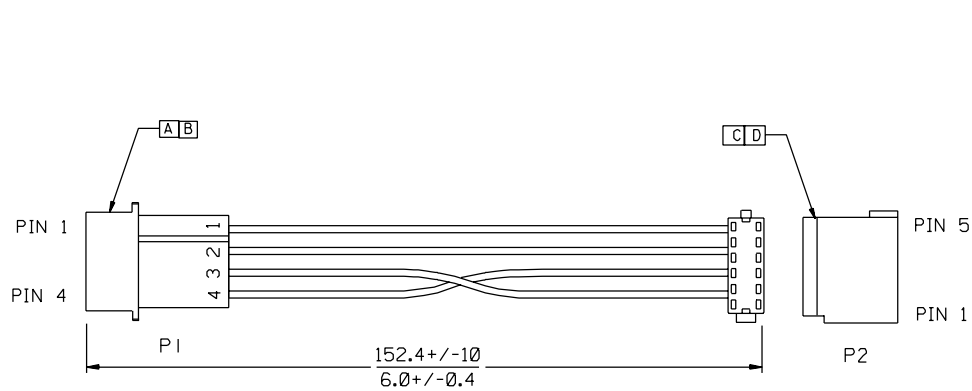
5

4

3

2

1



## NOTE: I. ELECTRIC PERFORMANCE:

DIELECTRONIC STRENGTH: 500 V DC/0.01Sec.

INSULATION RESISTANCE: 100M OHMS Min.

CONDUCTIVE RESISTANCE: 2 OHMS Max.

887614510	679260012	30u" Gold-plated
887614500	679260011	Gold Flash
MATERIAL NO	S-ATA CONN.	DESCRIPTION

D	COVER 679260040	1	
C	S-ATA CONN.: SEE TABLE	1	
B	4P CONTACT 887899491	4	
A	4P PWR HOUSING 887899490	1	
3	UL1007 #18 RED 887711351	1	144
2	UL1007 #18 BLK 887711350	2	288
1	UL1007 #18 YEL 887711353	1	144
ITEM	DESCRIPTION	QTY	L(mm)

EC NO.	DRWN: Louis 03/09/08	CHK:	APPR:	DESCRIPTION	QUALITY SYMBOLS	GENERAL TOLERANCES: (UNLESS SPECIFIED)		SCALE N.T.S	DESIGN UNITS <input checked="" type="checkbox"/> mm <input type="checkbox"/> INCH	THIRD ANGLE PROJECTION <input checked="" type="checkbox"/> <input type="checkbox"/>	DIMENSIONS:			SHT	REV
						mm	INCH				mm	INCH	mm		
A	REV	MAJOR		▼ = 0	4 PLACES	±0.	±.	DRAWN BY & DATE		TITLE:					
		CRITICAL		▽ = 0	3 PLACES	±0.	±.	Louis Chen 03/09/08		S-ATA IDT POWER ADAPTER CABLE (5V+12V), 6 INCH					
					2 PLACES	±0.	±.	CHECKED BY & DATE		MOLEX INCORPORATED					
					1 PLACE	±0.	±.	David Wang 03/09/08							
					ANGULAR: ± °		APPROVED BY & DATE		Ricky Leung 03/09/08		MATERIAL NO.		DRAWING NO.		SHEET NO.
					CAD FILENAME		J6145-XX .DGN		887-6145-XX		SD-88755-006		1 OF 1		
THIS DRAWING CONTAINS INFORMATION THAT IS PROPRIETARY TO MOLEX INCORPORATED AND SHOULD NOT BE USED WITHOUT WRITTEN PERMISSION.														SIZE A4	