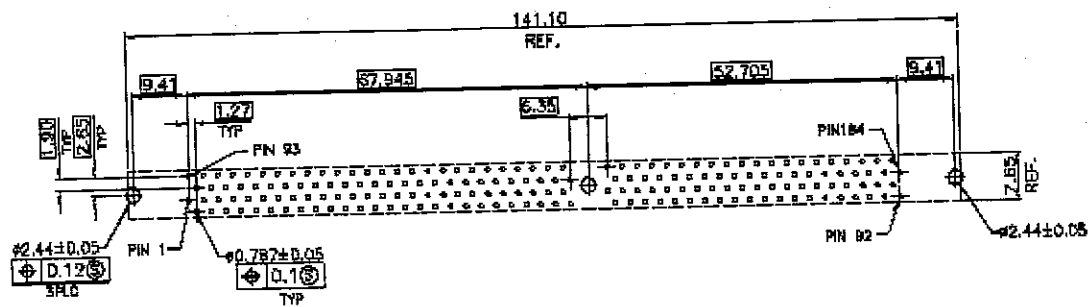
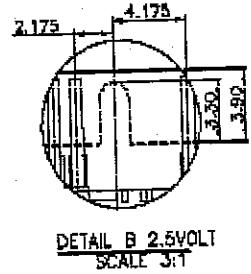
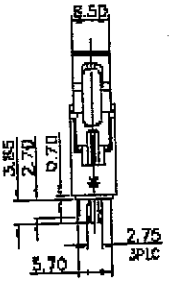
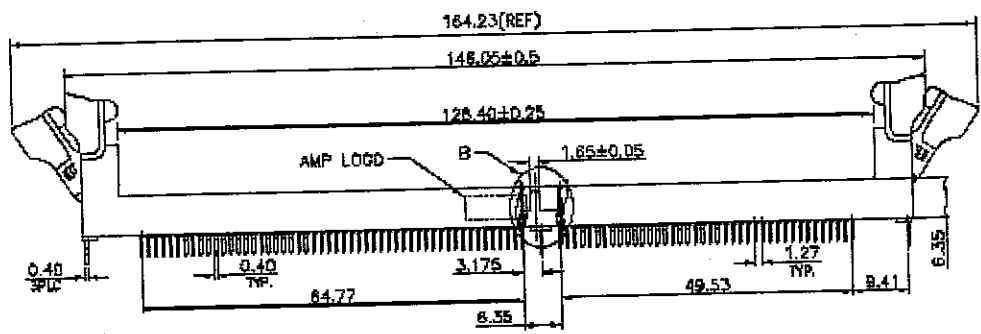
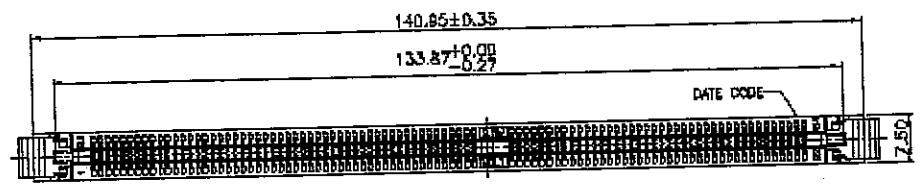


C-1734003

METRIC

THIS DIMENSION IS CONTINGENT UPON THE RECOMMENDED PCB LAYOUT. DIMENSIONS IN MILLIMETERS. DO NOT SCALE PRINT.



RECOMMENDED PCB LAYOUT

- NOTES:
 1. MATERIAL
 HOUSING: THERMOPLASTIC, UL94V-0, COLOR: SEE TABLE
 EXTRACTOR: THERMOPLASTIC, UL94V-0, COLOR: WHITE
 CONTACT: BRASS
 BOARD LOCK: BRASS
 2. FINISH:
 CONTACT: GOLD PLATING ON CONTACT AREA,
 100µ MIN MATTE TIN PLATING ON SOLDER TAILS,
 50µ MIN NICKEL UNDER PLATING OVER ALL.
 BOARD LOCK: 100µ MIN BRIGHT TIN PLATING ON SOLDER TAILS,
 50µ MIN NICKEL UNDER PLATING OVER ALL.
 3. SPECIFICATION:
 3.1 CURRENT RATING: 1A MAX.
 3.2 VOLTAGE: 100VAC PER CONTACT
 3.3 TEMPERATURE RANGE: -55°C to +85°C
 3.4 CONTACT RESISTANCE: 30 MILLIOHM MAX.
 3.5 DIELECTRIC WITHSTANDING VOLTAGE: 250VAC r.m.s.
 3.6 INSULATION RESISTANCE: 1000 MEGOHMS MIN.
 4. WAVE SOLDER CAPABLE TO 285°C
 PER TICC SPEC. 109-202. CONDITION B

BLUE-GREEN 338U	15µ MIN.	3-1734003-2
	GOLD FLASH	3-1734003-1
PURPLE 272BU	15µ MIN.	2-1734003-2
	GOLD FLASH	2-1734003-1
BLUE 3D1C	15µ MIN.	1-1734003-2
	GOLD FLASH	1-1734003-1
BLACK	15µ MIN.	1734003-2
	GOLD FLASH	1734003-1
HSC COLOR	GOLD PLATING	PART NUMBER

TOLERANCES UNLESS OTHERWISE SPECIFIED: 0.125 ± .01 0.150 ± .01 0.188 ± .01 ANGLES ± 3°	DWG 06-JUL-2008 R. J. KE 06-JUL-2008	REV 06-JUL-2008 R. J. KE 06-JUL-2008	BY MK 06-JUL-2008	CHK MK 06-JUL-2008	DATE 06-JUL-2008	TRACO TYSO HOLDINGS (BERMUDA) VS LTD. TOWN BRANCH HONG KONG SOCKET ASSEMBLY, DIMM 2P LOW INSERTION FORCE, 15+ POSITION
MATERIAL SEE NOTE	PRODUCT SPEC 108-57515	QUAIFICATION TEST REPORT Q01-57522	LOG SCALE A3	DWG NO C-1734003	REV A	WEIGHT 0.7 GRAM SHEET 1 OF 2

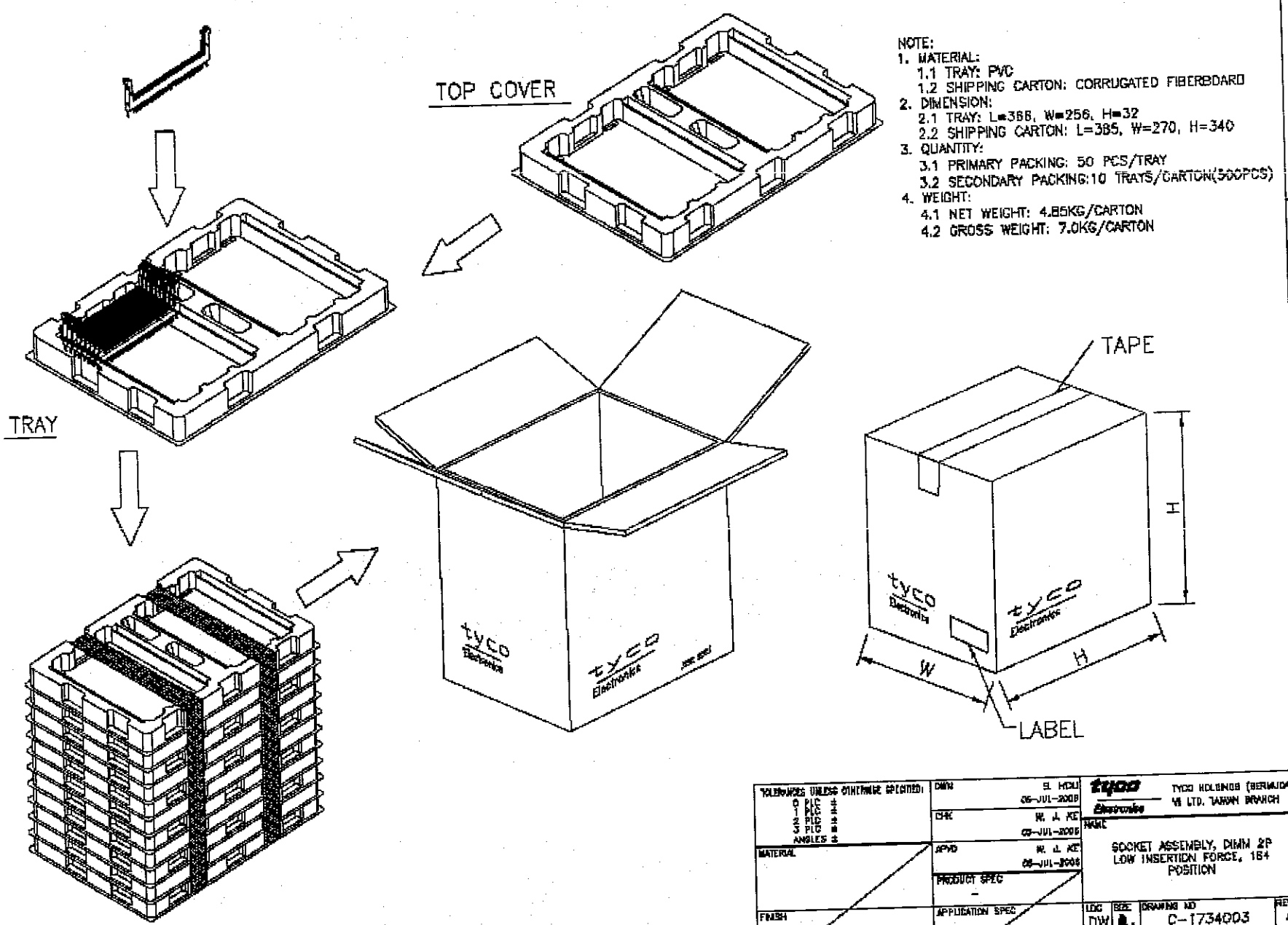
A	ADDED P/N: 2-X; 3-X	EGR-08-010677	BY MK	DATE 06-JUL-2008
01	ADDED P/N: 1-X	EGR-08-010387	BY MK	DATE 06-JUL-2008
0	FIRST RELEASED	F200-0248-D4	BY MK	DATE 06-JUL-2008
LTR	REVISION RECORD	EGR	BY MK	DATE 06-JUL-2008

C-1734003

METRIC

THIS DIMENSION IS CONSIDERED TO BE THAT OF COMPONENT THAT
 HAS SMALLEST DIMENSION IN CASE OF TWO OR MORE THAT MAY BE REQUIRED. WITHOUT
 DIMENSIONS IN MILLIMETERS. DO NOT SCALE PRINT.

PRINT DW



- NOTE:
1. MATERIAL:
 - 1.1 TRAY: PVC
 - 1.2 SHIPPING CARTON: CORRUGATED FIBERBOARD
 2. DIMENSION:
 - 2.1 TRAY: L=388, W=256, H=32
 - 2.2 SHIPPING CARTON: L=385, W=270, H=340
 3. QUANTITY:
 - 3.1 PRIMARY PACKING: 50 PCS/TRAY
 - 3.2 SECONDARY PACKING: 10 TRAYS/CARTON(500PCS)
 4. WEIGHT:
 - 4.1 NET WEIGHT: 4.85KG/CARTON
 - 4.2 GROSS WEIGHT: 7.0KG/CARTON

TOLERANCES UNLESS OTHERWISE SPECIFIED:		DWG	S. HOU	tyco	TYCO HOLDINGS (BERMUDA)
0 P/C ±		06-JUL-2008		Electronics	VI LTD. TAIWAN BRANCH
1 P/C ±			W. J. KE		
2 P/C ±			06-JUL-2008		
3 P/C ±					
ANGLES ±					
MATERIAL		APVD	W. J. KE	SOCKET ASSEMBLY, DIMM 2P LOW INSERTION FORCE, 184 POSITION	
		PRODUCT SPEC	06-JUL-2008		
FRESH		APPLICATION SPEC		LOG DW	REV
		WEIGHT		SCALE	2 OF 2

SEE SHEET 1	ECN	DATE
REVISION RECORD		

8 7 6 5 4 3 2 1 CUSTOMER DRAWING