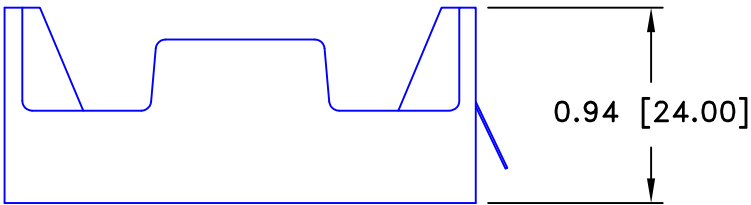
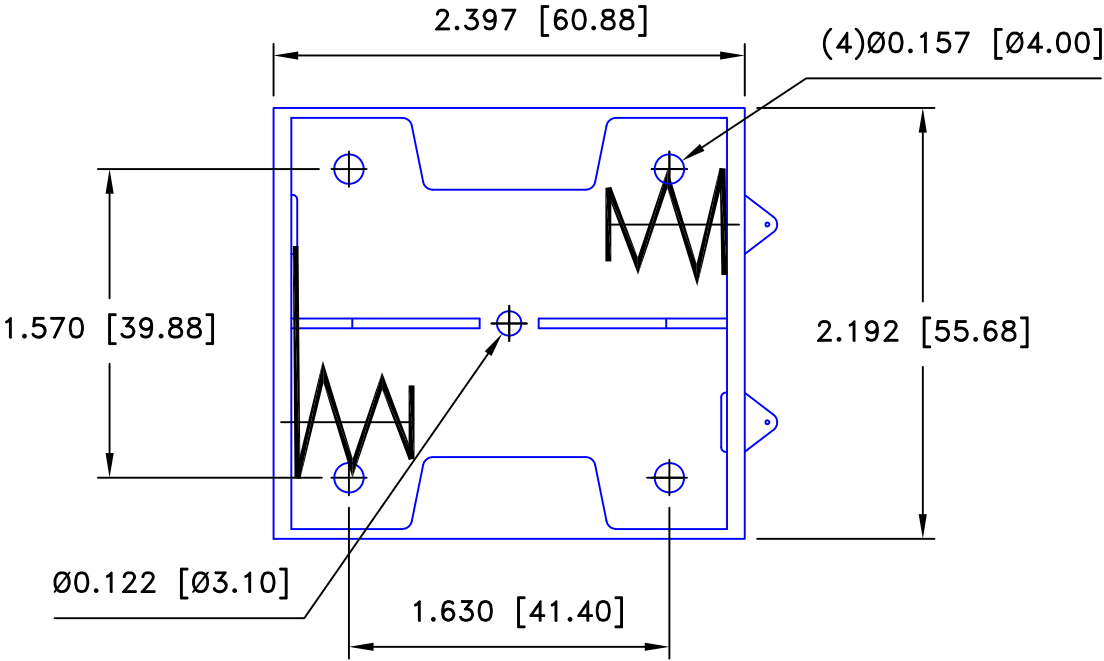
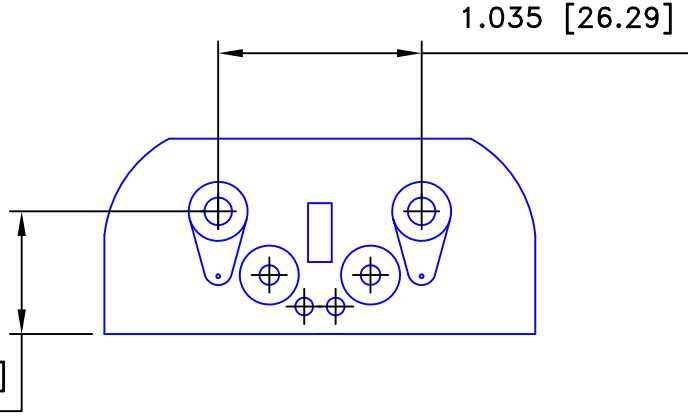


Date	SYM	REVISION RECORD	AUTH	DR.	CK.
5/06/06	C	ADDED CONTACT RESI. INFO.	T.B.	B.S.	
8/06/14	D	UPDATED TO ROHS 2 COMPLIANT	T.B.	B.S.	
6/02/17	E	DIM. 0.590 WAS 0.624 DIM. 0.157 WAS 0.150	T.B.	B.S.	




Solder Lugs shown



**SPECIFICATIONS**

Plastic material - Polypropylene  
 Flammability Rating -UL94-HB, UL File NO. E216959  
 Temperature Range: -10°C to +100°C  
 Springs - Nickel Plated Spring Steel  
 Rivets - Brass, Nickel Plated  
 Lugs: Brass, Nickel Plated  
 CONTACT RESISTANCE: UNDER 50mΩ FOR +/- CONTACTS PER  
 EIA-540J000

ROHS 2 COMPLIANT

Tolerance (Except as noted)	 <b>Memory Protection Devices, Inc</b> 200 Broad Hollow Road, Farmingdale, New York 11735	Scale 1=1	Drawn By T.S.
			Approved By T.B.
decimal ±.5 (.020)	Title TWO "C" CELL HOLDER WITH SOLDER LUGS		
Fractional ± .8 (.030)	Date 6/02/17	Drawing Number BH2CL	
Angular ± 3°			