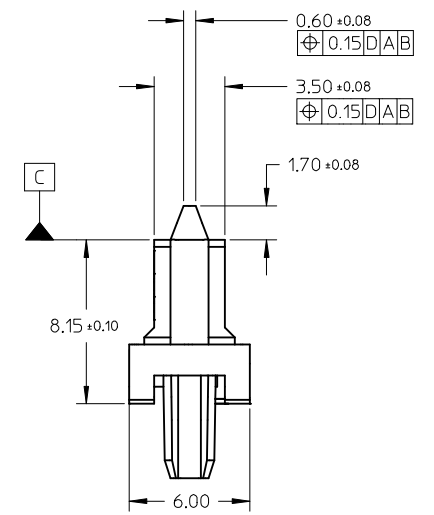


NOTES:

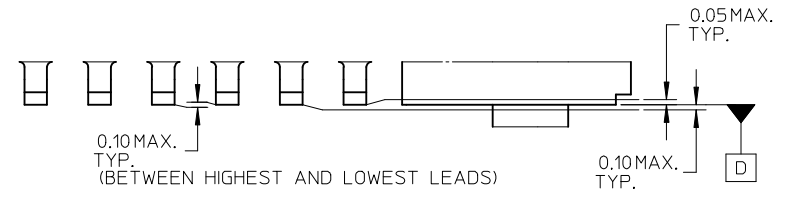
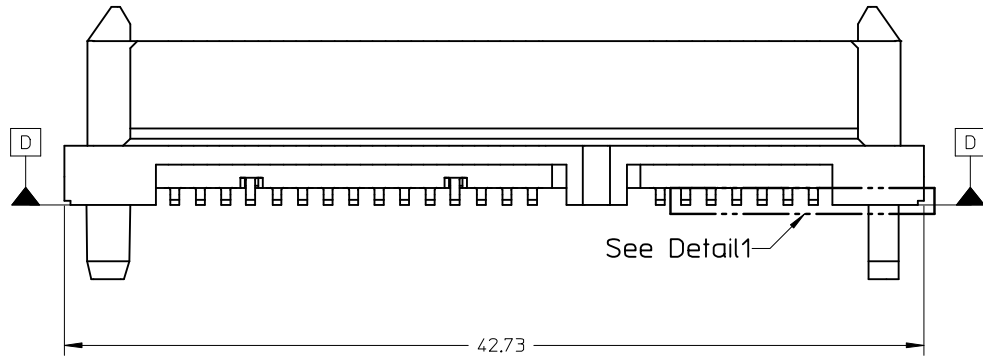
- MATERIAL: LCP, GLASS FILLED, UL 94V-0, COLOR: BLACK
TERMINAL: COPPER ALLOY
- PLATING:
CONTACT: 0.76µm MIN. SELECTIVE GOLD OVER 1.27µm MIN. NICKEL UNDERPLATE
SOLDERTAIL: 2.54µ MIN. TIN OVER 1.27 µm MIN. NICKEL UNDERPLATE
- MOLEX LOGO LOCATED APPROXIMATELY AS SHOWN
- MAXIMUM WARPAGE OF 0.13 mm OVER THE LENGTH OF THE CONNECTOR IN ANY DIRECTION BEFORE AND AFTER EXPOSURE TO MAX. 260°C FOR 10 SECONDS
- PRODUCT SPECIFICATION: PS-87713-016 APPLIES
- PACKAGING
30 CONNECTORS PER TRAY



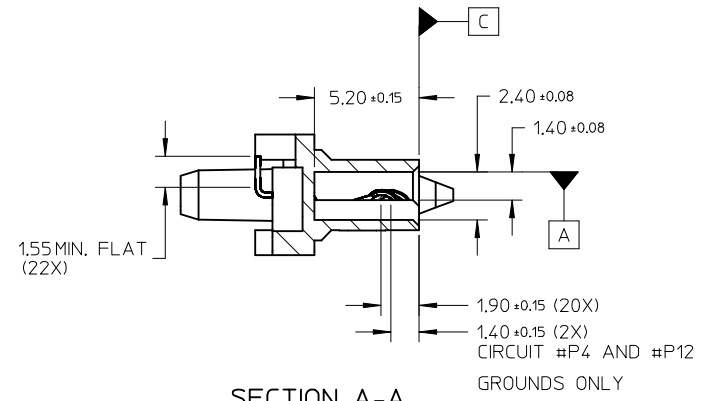
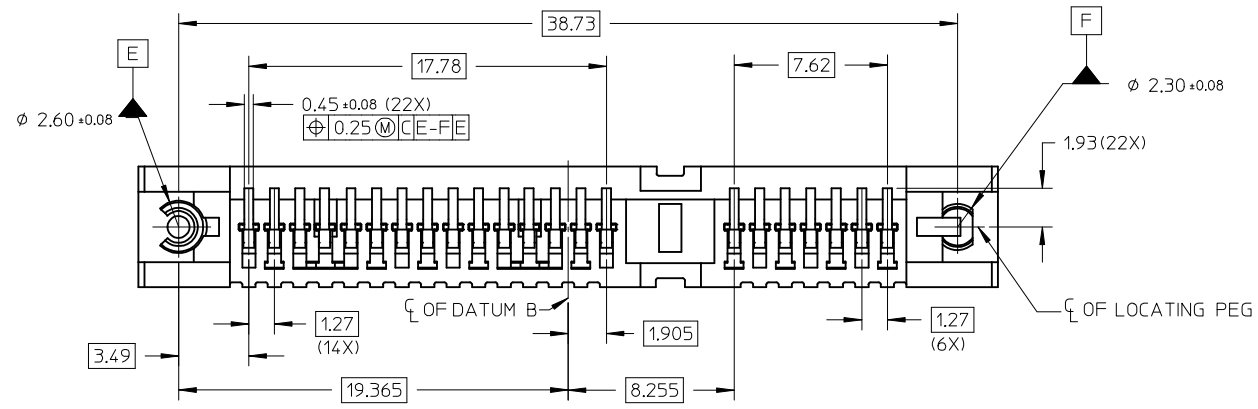
molex

OBS TIN/LEAD P/N EC NO: S2006-0984 DRWN:MLONG CHKD:CGTAN APPR: REV C	DESCRIPTION 2006/04/04 2006/04/04 2006/04/04	QUALITY SYMBOLS ▽=0 ◻=0	GENERAL TOLERANCES (UNLESS SPECIFIED)		DIMENSION STYLE MM ONLY		SCALE NTS	DESIGN UNITS METRIC	THIRD ANGLE PROJECTION		
			mm	INCH	DRAWN BY DKOH	DATE 2002/07/05	TITLE SERIAL ATA BACKPLANE STD HEIGHT, RECEPT., SMT				
			4 PLACES	± ---	± ---	CHECKED BY KCLING	DATE 2002/07/05	MATERIAL NO. 87713-1001			
			3 PLACES	± ---	± ---	APPROVED BY SKTOH	DATE 2002/07/05	MOLEX INCORPORATED		DOCUMENT NO. SD-87713-001	SHEET NO. 1 OF 4
DRAFT WHERE APPLICABLE MUST REMAIN WITHIN DIMENSIONS			ANGULAR ± 3 °		THIS DRAWING CONTAINS INFORMATION THAT IS PROPRIETARY TO MOLEX INCORPORATED AND SHOULD NOT BE USED WITHOUT WRITTEN PERMISSION						

10 9 8 7 6 5 4 3 2 1



DETAIL 1



SECTION A-A

9 8 7 6 5 4 3 2 1

OBS TIN/LEAD P/N EC NO: S2006-0984 DRWN:MLONG CHKD:CGTAN APPR:KCLING	2006/04/04 2006/04/04 2006/04/04	DESCRIPTION REV	QUALITY SYMBOLS	GENERAL TOLERANCES (UNLESS SPECIFIED) mm INCH 4 PLACES \pm --- \pm --- 3 PLACES \pm --- \pm --- 2 PLACES ± 0.20 \pm --- 1 PLACE \pm --- \pm --- ANGULAR $\pm 3^\circ$	DIMENSION STYLE	SCALE	DESIGN UNITS	THIRD ANGLE PROJECTION
					MM ONLY	NTS	METRIC	
					DRAWN BY	DATE	TITLE	
					CHECKED BY	DATE	SERIAL ATA BACKPLANE STD HEIGHT, RECEPT., SMT	
		APPROVED BY	DATE	MOLEX INCORPORATED				
		MATERIAL NO.	DATE	DOCUMENT NO.	SHEET NO.			
		87713-1001	2002/07/05	SD-87713-001	2 OF 4			
		THIS DRAWING CONTAINS INFORMATION THAT IS PROPRIETARY TO MOLEX INCORPORATED AND SHOULD NOT BE USED WITHOUT WRITTEN PERMISSION						

10 9 8 7 6 5 4 3 2 1

F

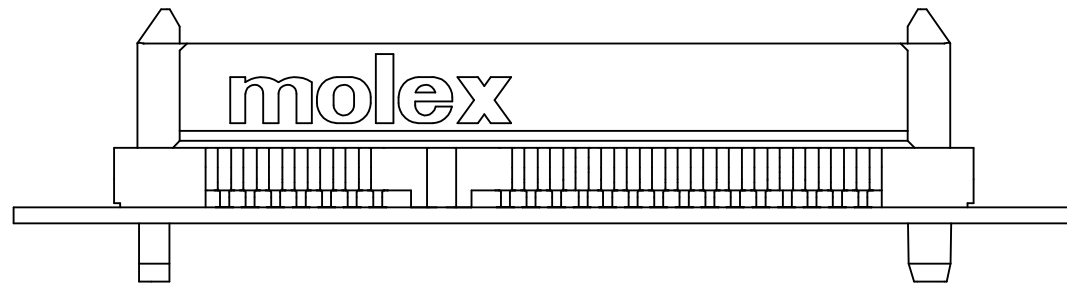
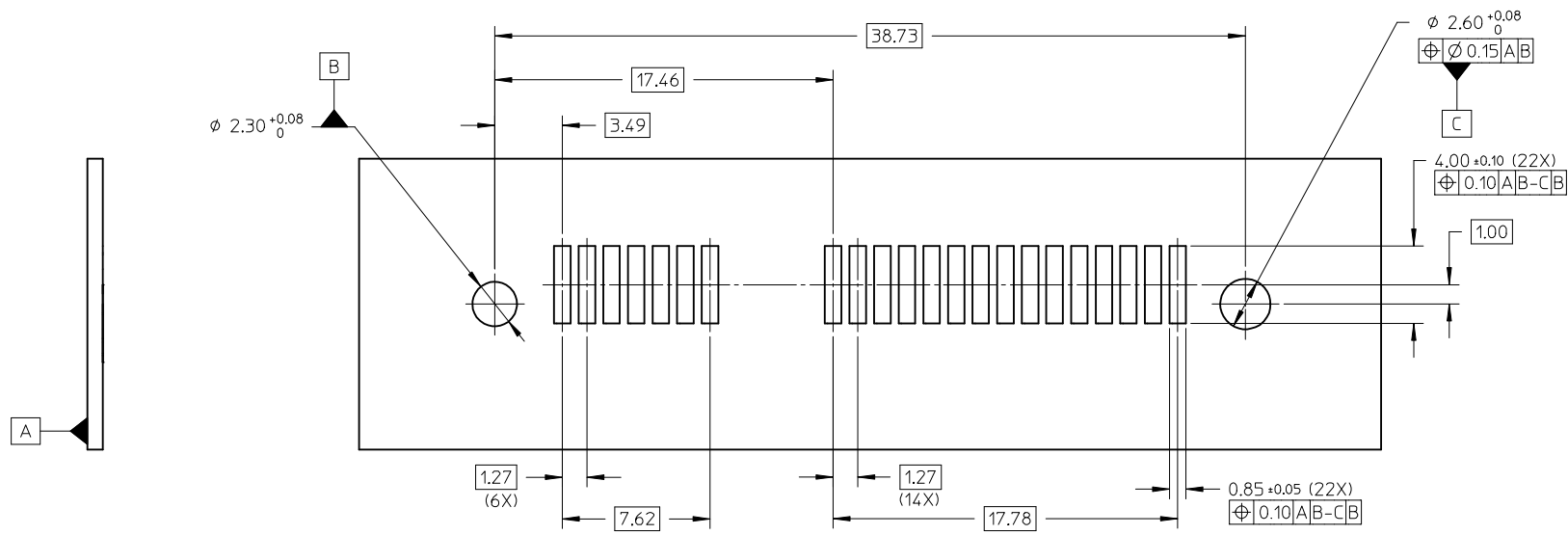
E

D

C

B

A

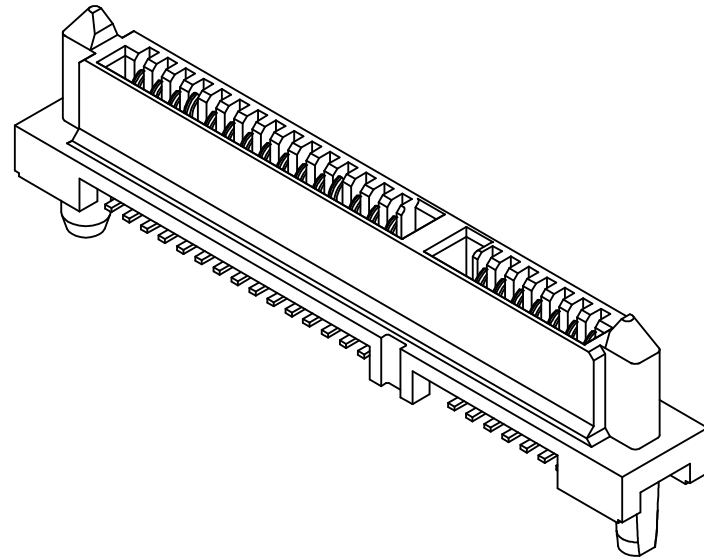
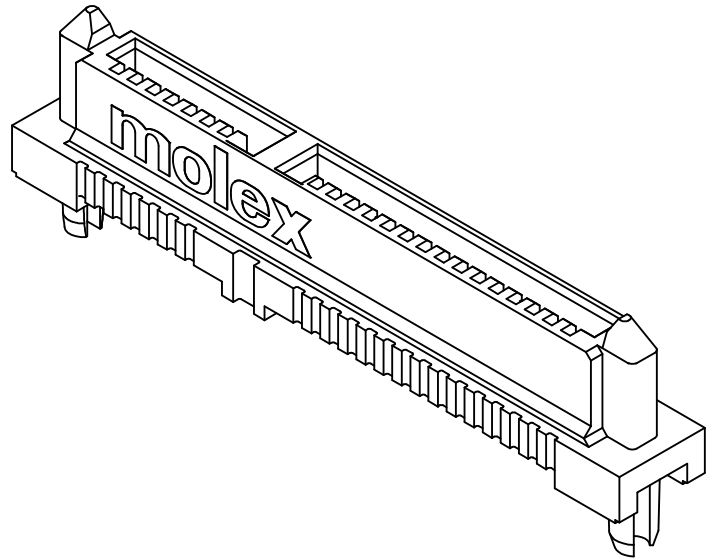


PCB THICKNESS: TBA mm
RECOMMENDED PCB LAYOUT

OBS TIN/LEAD P/N EC NO: S2006-0984 DRWN:MLONG CHKD:CGTAN APPR:KCLING	2006/04/04 2006/04/04 2006/04/04	DESCRIPTION REV	QUALITY SYMBOLS	GENERAL TOLERANCES (UNLESS SPECIFIED)	DIMENSION STYLE	SCALE	DESIGN UNITS	THIRD ANGLE PROJECTION	
			$\nabla = 0$ $\square = 0$	mm INCH 4 PLACES ± --- ± --- 3 PLACES ± --- ± --- 2 PLACES ± 0.20 ± --- 1 PLACE ± --- ± --- ANGULAR ± 3 °	MM ONLY	NTS	METRIC		
				DRAFT WHERE APPLICABLE MUST REMAIN WITHIN DIMENSIONS	DRAWN BY: DKOH DATE: 2002/07/05 CHECKED BY: KCLING DATE: 2002/07/05 APPROVED BY: SKTOH DATE: 2002/07/05	TITLE	SERIAL ATA BACKPLANE STD HEIGHT, RECEPT., SMT		
					MATERIAL NO. 87713-1001 DOCUMENT NO. SD-87713-001	MOLEX MOLEX INCORPORATED SHEET NO. 3 OF 4			

9 8 7 6 5 4 3 2 1

10 9 8 7 6 5 4 3 2 1



OBS TIN/LEAD P/N EC NO: S2006-0984 DRWN:MLONG CHKD:CGTAN APPR:KCLING	2006/04/04 2006/04/04 2006/04/04	REV DESCRIPTION	QUALITY SYMBOLS ▽=0 □=0	GENERAL TOLERANCES (UNLESS SPECIFIED)		DIMENSION STYLE MM ONLY		SCALE NTS	DESIGN UNITS METRIC	THIRD ANGLE PROJECTION		
				4 PLACES ± --- ± --- 3 PLACES ± --- ± --- 2 PLACES ± 0.20 ± --- 1 PLACE ± --- ± ---	mm INCH	DRAWN BY DKOH	DATE 2002/07/05	TITLE SERIAL ATA BACKPLANE STD HEIGHT, RECEPT., SMT				
				ANGULAR ± 3 °	CHECKED BY KCLING	DATE 2002/07/05	APPROVED BY SKTOH					
			DRAFT WHERE APPLICABLE MUST REMAIN WITHIN DIMENSIONS	MATERIAL NO. 87713-1001	DOCUMENT NO. SD-87713-001	SHEET NO. 4 OF 4	MOLEX INCORPORATED					

9 8 7 6 5 4 3 2 1