



PB-02 Specifications

Version V1.0

Copyright ©2020

Disclaimer and copyright notice

The information in this article, including the URL address for reference, is subject to change without notice. The Documentation is provided "as is" without any warranty, including any warranties of merchantability, fitness for a particular purpose, or non-infringement, and any warranties mentioned in the proposal, specification or sample. This document is not responsible for any infringement of any patent rights arising out of the use of the information in this document. No license, express or implied, by estoppel or otherwise, is hereby granted.

The test data obtained in this paper are all obtained by Ai-Thinker laboratory, and the actual results may be slightly different. The Wi-Fi alliance membership mark is owned by the WiFi alliance.

All trade mark names, trademarks and registered trademarks mentioned herein are the property of their respective owners and are hereby declared.

The final interpretation right is owned by Shenzhen Ai-Thinker Technology Co., Ltd.

Note

The contents of this manual may be changed due to the version upgrade of the product or other reasons. Shenzhen Ai-Thinker Technology Co., Ltd. reserves the right to modify the contents of this manual without any notice. This manual is only used as a guide, and Shenzhen Ai-Thinker Technology Co., Ltd. makes every effort to provide accurate information in this manual, but Shenzhen Ai-Thinker Technology Co., Ltd. does not ensure that the contents of the manual are completely true. All statements and information in this manual, and the recommendations do not constitute for any warranty, express or implied.

Contents

一. Product Overview.....	5
二. Electrical parameters.....	7
三. Appearance dimensions.....	9
四. Definition of pins.....	10
五. Schematic diagrams.....	12
六. Design guidance.....	12
七. Reflow soldering.....	16
八. Packaging information.....	17
九. Contact us.....	17

一、 Product Overview

PB-02 is a BLE 5.0 low-power Bluetooth module based on PHY6212 chip; supports SIGMesh. . PHY6212 is equipped with ARM® Cortex™-M0 32-bit processor, 138KB SRAM, ultra-low power consumption, high performance and wireless multi-mode characteristics, , supports BLE functions of security, applications and wireless updates.

PB-02 module has the function of Bluetooth mesh networking; the communication between devices through peer-to-peer network, using Bluetooth broadcast for communication, can ensure timely response in the case of multiple devices. It is mainly used in intelligent lamp control, wearable smart device, retail payment and other Internet of things fields; it can meet the requirements of low power consumption, low delay, low cost wireless data communication.

Characteristics

- 1.1 mm spacing SMD-20 package
- 6 channels PWM output
- The antenna adopts PCB onboard antenna; at the same time, half hole pad and antenna hole are reserved. The half-hole pad can guide the antenna to the motherboard, and the antenna hole can be directly welded to the spring antenna.
- Brightness (duty cycle) adjustment range 5%-100%
- Factory default cool and warm color 50%
- PWM output frequency 1KHz
- Features with Nightlight
- Switching Color Temperature with Wall Switching

Main parameters

Table 1 main parameter descriptions

Model	PB-02
Dimensions	12.2*18.6*2.3(±0.2) MM
Package	SMD-20
Wireless Standards	Bluetooth 5.0
Frequency range	2400~2483.5 MHz
Maximum transmit power	Maximum dBm 10
Receiving sensitivity	-93±2 dBm
Interface	GPIO/PWM/SPI/ADC
Operating temperature	-40℃ ~ 85 ℃
Storage environment	-40℃~125℃, <90%
Power supply range	Supply voltage 2.7 V ~3.6 V, supply current ≥50 mA
Power consumption	Deep sleep mode :0.7 uA (IO wake-up)
	Dormancy mode :2 uA (RTC wake-up)
	RX mode :7 mA
	TX (10dBm) :25mA

二、Electrical parameters

Electrical characteristics

PB-02 module is electrostatic sensitive equipment, when handling need to take special precautions



Absolute maximum rating

Any more than the following absolute maximum values can cause module damage

Name	Minimum value	Typical values	Maximum value	Units
Supply voltage	2.7	3.3	3.6	V
I/O supply voltage (VCCIO)	-0.3	-	3.6	V
Operating temperature	-40	-	+85	°C
Storage temperature	-40	-	+125	°C

Power consumption

Name	Typical values	Units
Emission power consumption (10 dBm)	25	mA
Receiving Power	7	mA
Light Sleep	2	uA
Deep Sleep	0.7	uA

RF parameters

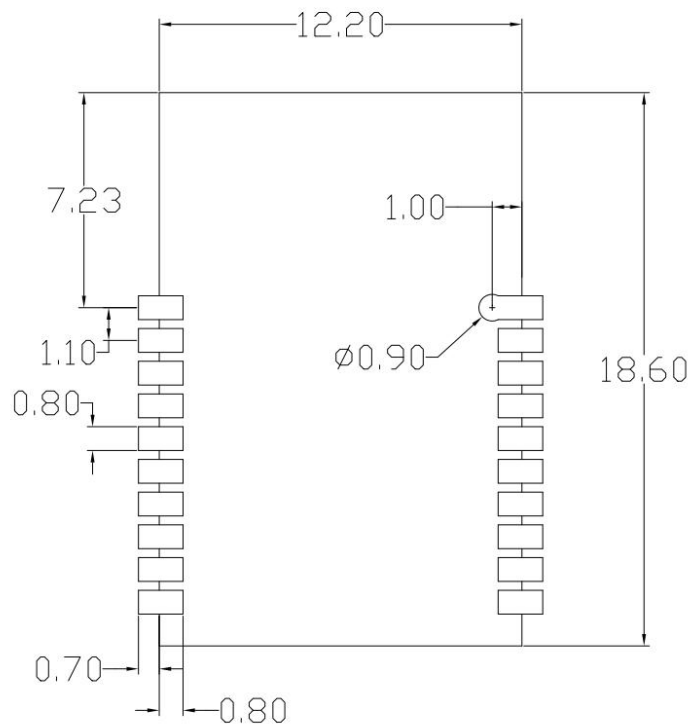
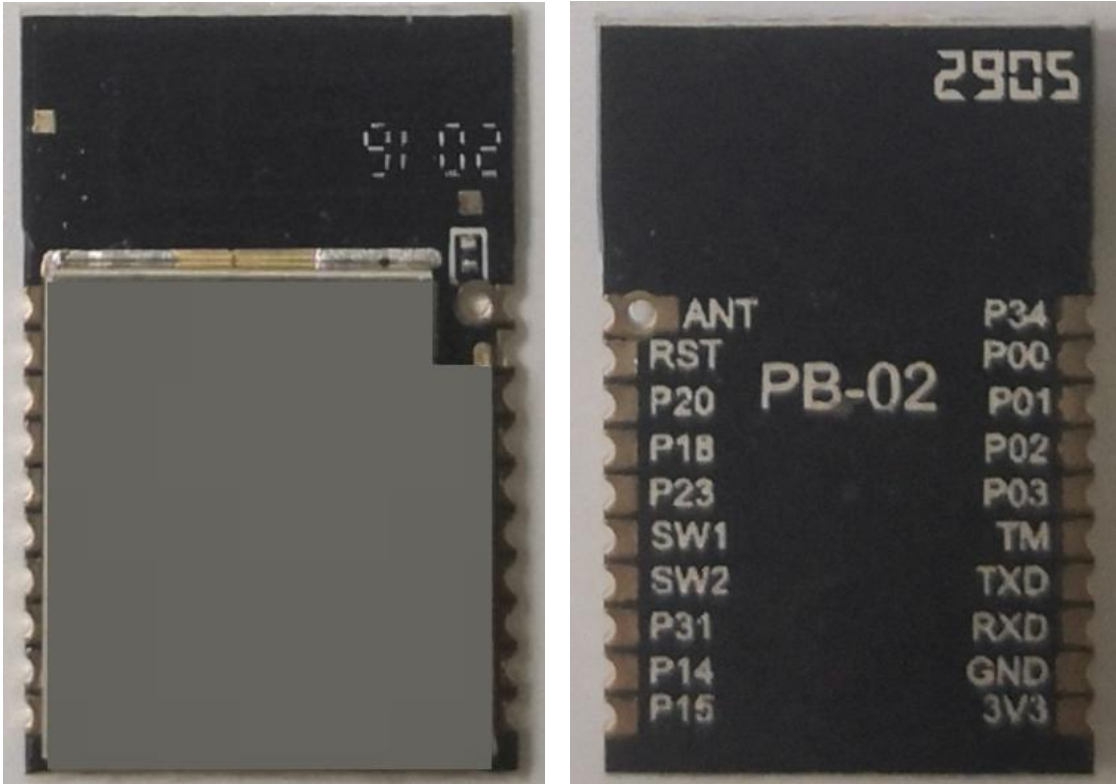
Transmission power

Name	Minimum value	Typical values	Maximum value	Units
Average power	–	8.5	10	dBm

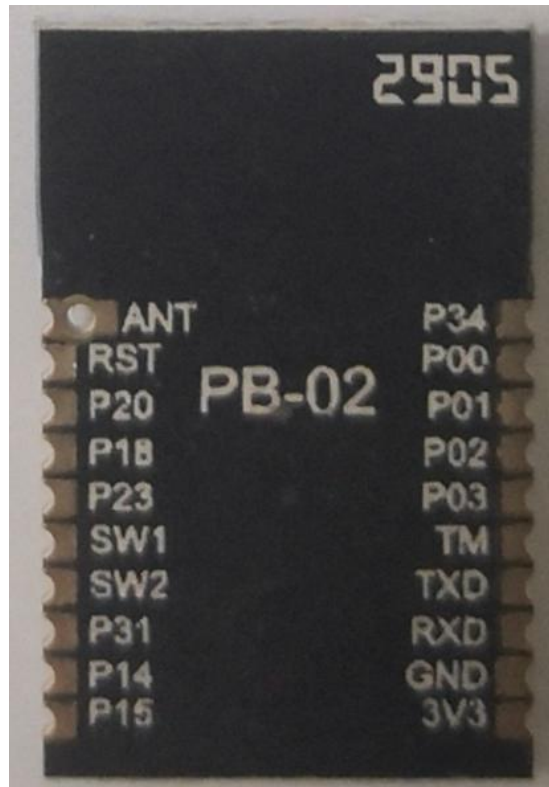
Receiving sensitivity

Name	Minimum value	Typical values	Maximum value	Units
Receiving sensitivity	–95	–93	–	dBm

三、 Appearance dimensions



四. Definition of pins



PB-02 Foot Schemes

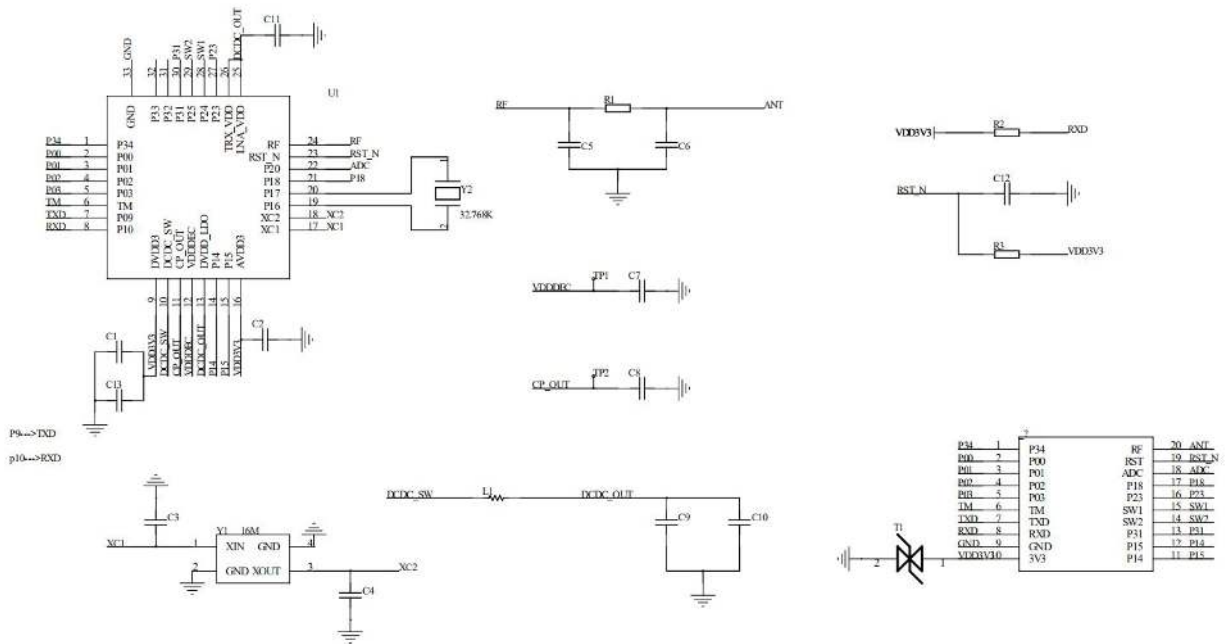
The PB-02 module has a total of 20 interfaces. As shown in the pin diagram, the pin function definition table is the interface definition.

Foot function definition table

No.	Name	Functional Description
1	P34	GPI034, all features are configurable *Note: Interrupt and ADC functions are not supported
2	P00	GPI000, all functions are configurable/ JTAG_TDO *Note: ADC functionality not supported
3	P01	GPI001, all functions are configurable/ JTAG_TDI *Note: ADC functionality not supported
4	P02	GPI002, all functions are configurable/ JTAG_TMS *Note: ADC functionality not supported
5	P03	GPI003, all functions are configurable/ JTAG_TCK *Note: ADC functionality not supported
6	TM	Flash mode selection, this pin pull-up to high level , boot start into flash mode

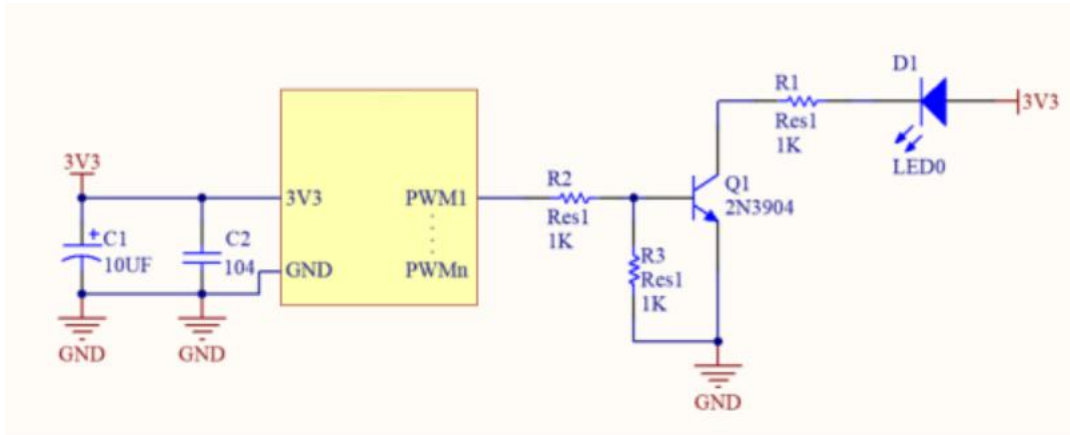
7	TXD	Serial URAT_TXD
8	RXD	Serial URAT_RXD
9	GND	Ground
10	3V3	Power supply, typical value 3.3 V
11	P15	GPI015, all features configurable/ AIO <4>
12	P14	GPI014, all features are configurable/ AIO <3>
13	P31	GPI031, all features are configurable *Note: Interrupt and ADC functions are not supported
14	SW2	GPI025, all functions configurable/test mode start configuration [1], this pin pull-up to high level , boot start into test mode
15	SW1	GPI024, all features configurable/test mode start configuration [0]
16	P23	GPI023, all features are configurable *Note: Interrupt and ADC functions are not supported
17	P18	GPI018, all functions are configurable/ AIO <7>/ PGA differential positive input *Note: Interrupt functionality not supported
18	P20	GPI020, all functions are configurable/ AIO <9>/ microphone bias output *Note: Interrupt functionality not supported
19	RST	Reset pin
20	ANT	Antenna interface

五. Schematic diagrams

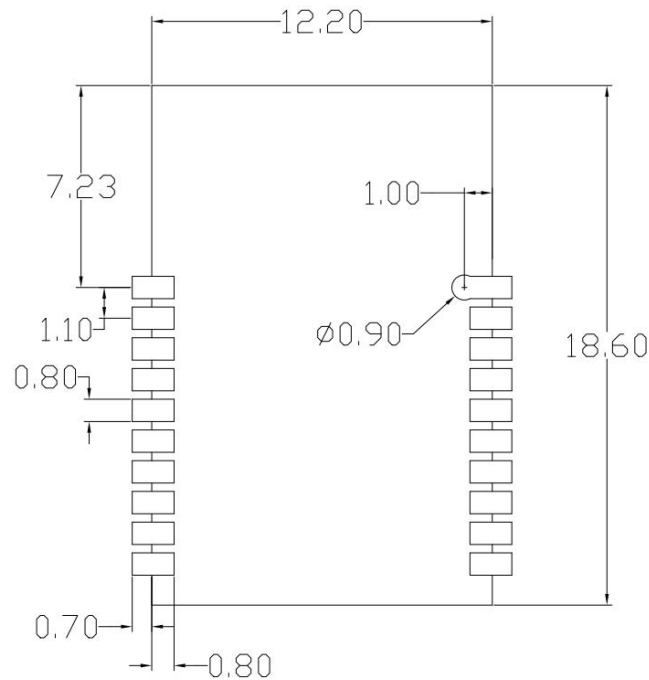


六. Design guidance

1、Application circuit



2. recommended module package design dimensions



Note: This is the PB-02 module package diagram, It is recommended to design the PCB board according to this diagram, so that the module can work normally on the PCB board; and when designing the pads, please pay attention to the design of the pads on the PCB. The pad is retracted and offset, and the PCB pad is expanded from the module pad do not affect the use of the module.

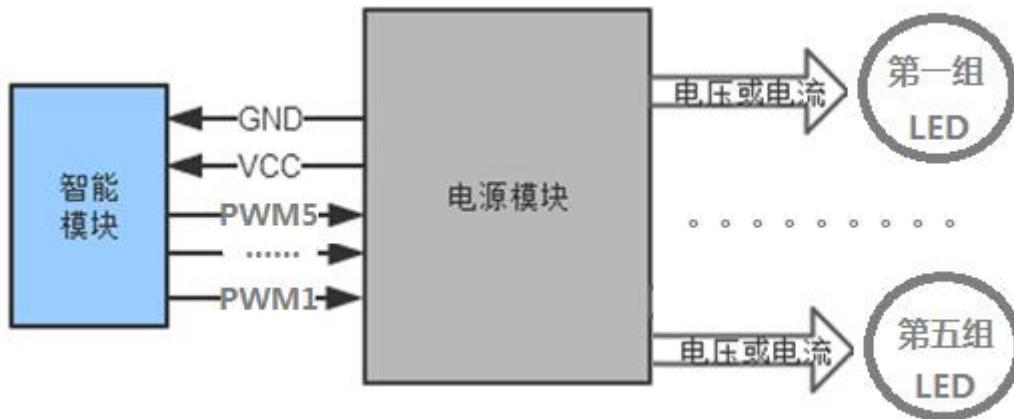
3. antenna layout requirements

(1)、For the installation position on the motherboard, the following two methods are recommended:

(2) Solution 1: Put the module on the edge of the motherboard, and the antenna area extends out of the edge of the motherboard.

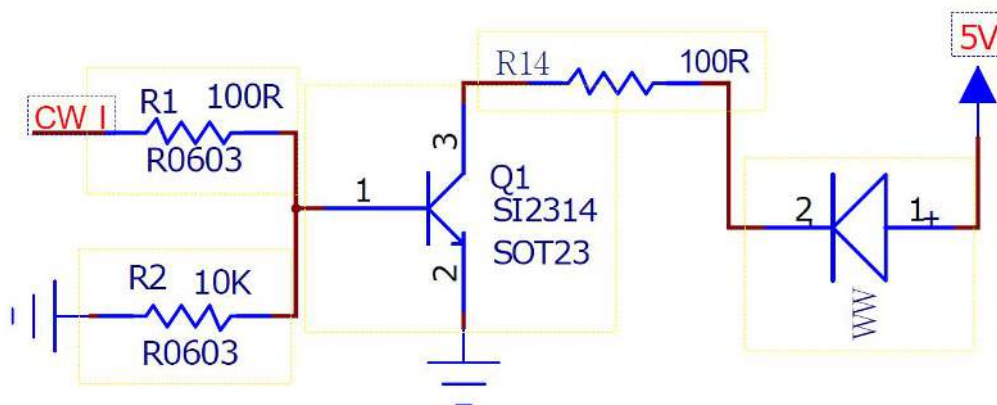
(3) Solution 2: Put the module on the edge of the motherboard, and hollow out an area at the antenna position on the edge of the motherboard.

(4) In order to meet the performance of the onboard antenna, it is forbidden to place metal parts around the antenna, away from high-frequency components.



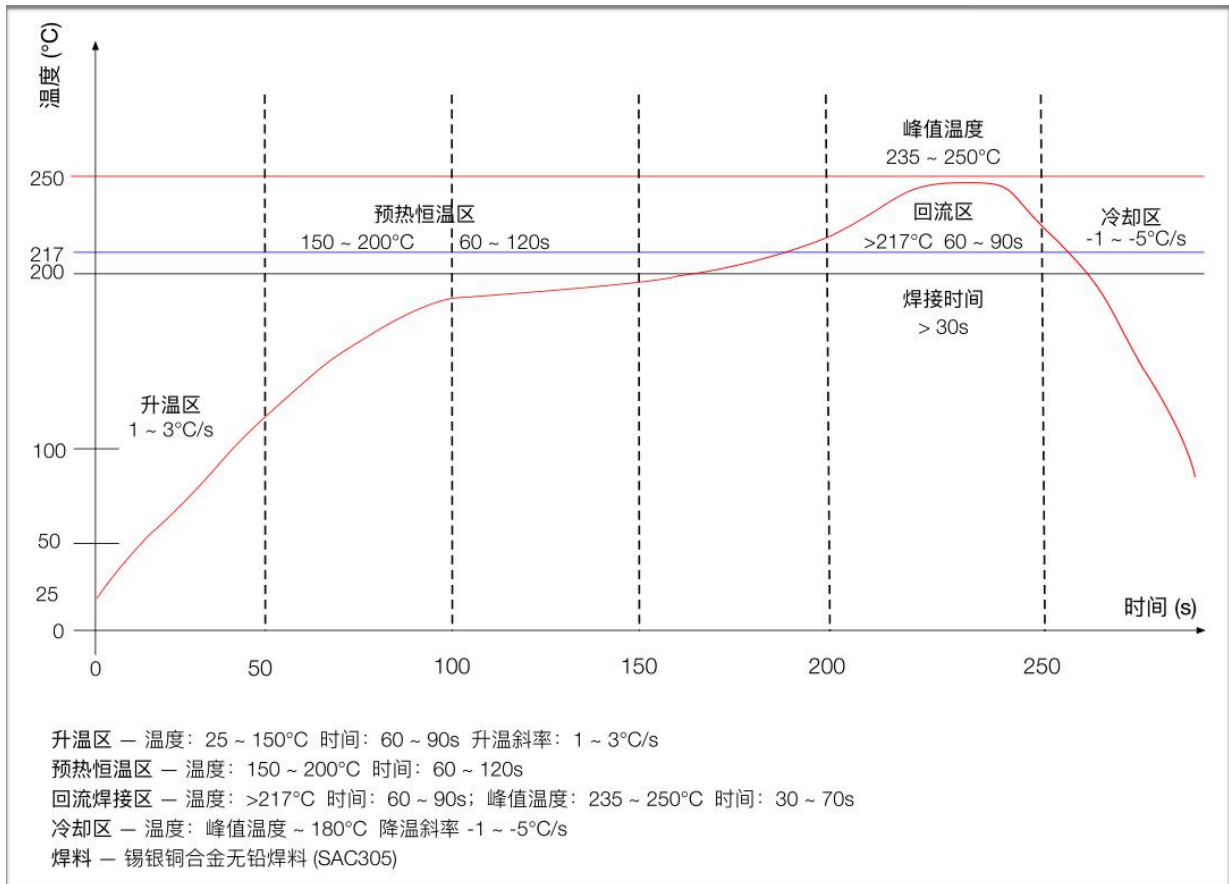
6. LED Drive Reference Design

The PB-02 module application only requires 3.3V power supply and a simple drive circuit to realize smart light control. Take the MOS tube driving a positive white light as an example. The design refers to the following figure; CW_I is the PWM output pin of the positive white light of the module, Q1 is a MOS tube, WW is an LED lamp bead, and the design method of the other 4-way lamp driving circuit is the same as this



way.

七. Reflow soldering



八. Packaging information

as shown below, the PB-02 packing is tape packing.



九. Contact us

Official website: <https://www.ai-thinker.com>

Development DOCS : <http s : //d ocs.ai-thinker.com>

Official Forum: <http://bbs.ai-thinker.com>

Sample purchase: <https://anxinke.taobao.com>

Business cooperation: sales@aithinker.com

Technical support: support@aithinker.com



Company Address: Building C, Huafeng Intelligent Innovation Port, Xixiang, Baoan District,
Shenzhen

Tel : 0755-29162996