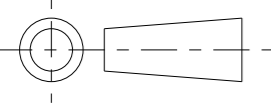


# CUSTOMER DRAWING

©2011 CTP-COIL  
ALL DIMENSIONS IN mm

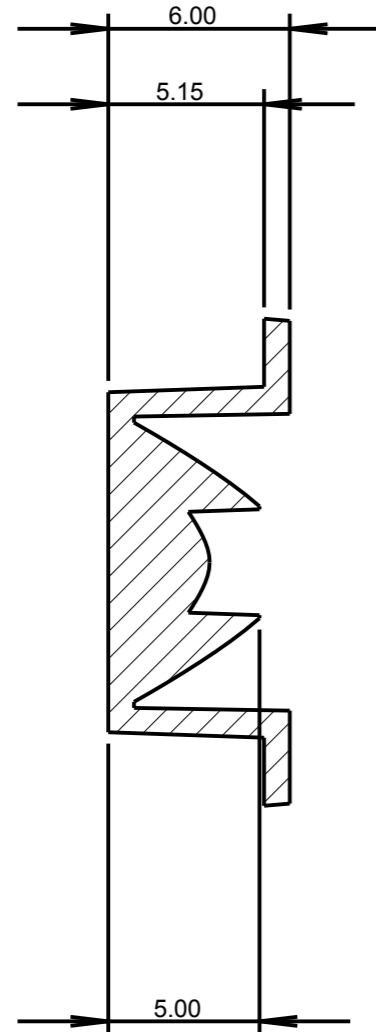
ISS.	DATE	E.C.N.	DESCRIPTION
1	12-Nov-10		FIRST ISSUE
2	23-Mar-11	03/11/1293	ADD RECESS DIMENSION & GENERAL INFO
3	17-Nov-11	11/11/1314	CHANGE 2.0MM PEGS HEIGHT TO 0.8mm



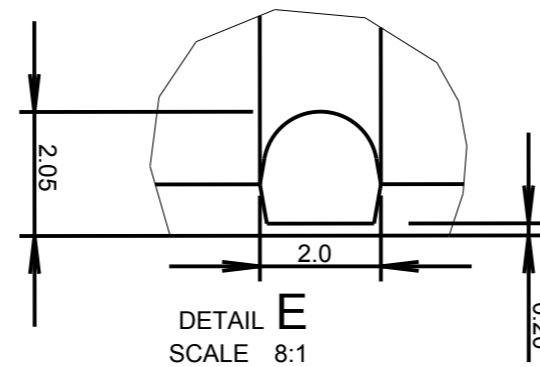
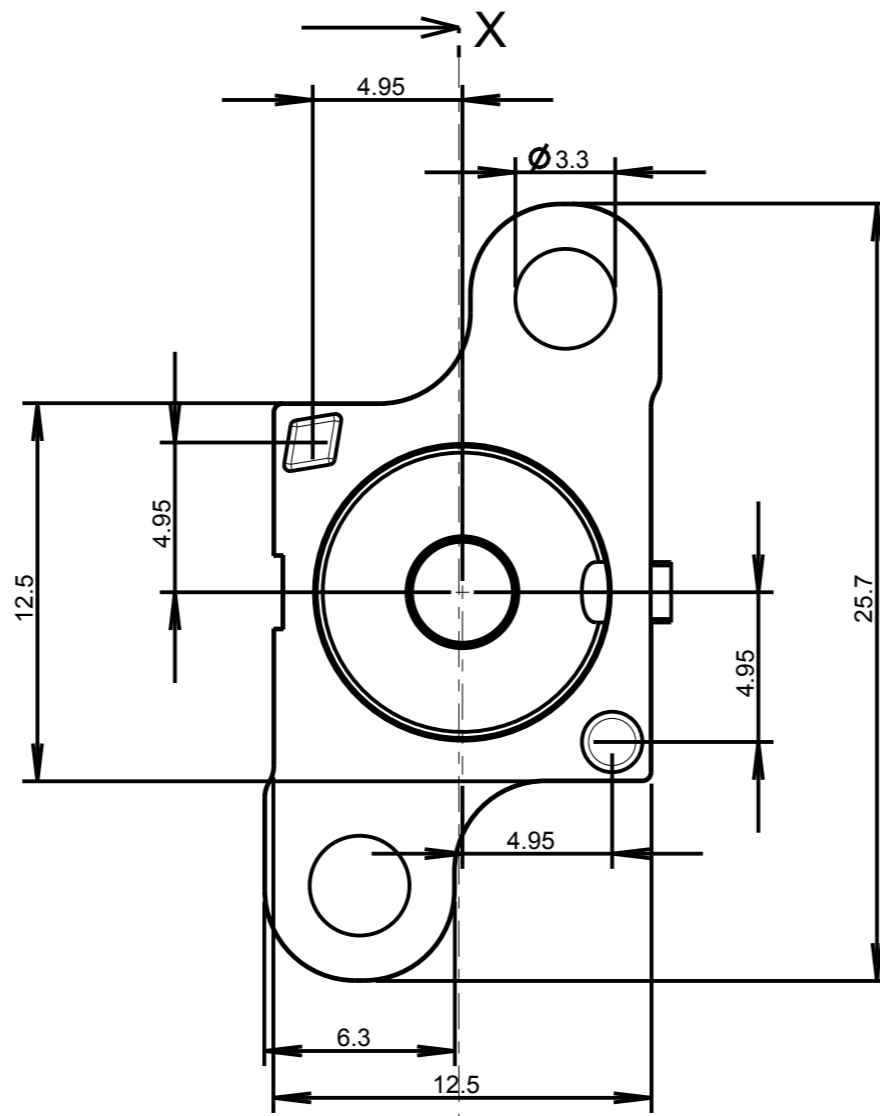
GENERAL VIEW



SCALE 1:1



SECTION X-X



DETAIL E  
SCALE 8:1

SEE DETAIL E

Optics Type	Part No.
Narrow Frosted	12083
Medium Frosted	12084

NOTES:

1. MATERIAL - UV STABILISED CLEAR POLYCARBONATE
2. INCLUSIONS SPECIFIED TO BS ISO 10110.



CARCLO TECHNICAL PLASTICS (SLOUGH)  
103 BUCKINGHAM AVE, SLOUGH  
SL1 4PF, ENGLAND  
TEL: +44 1753 575011 FAX: +44 1753 811359  
email: design@carclo-optics.com

GENERAL TOLERANCES (UNLESS STATED)

LINEAR	ANGULAR
X +/- 0.25	X +/- 1°
X.X +/- 0.1	X.X +/- 0.5°
X.XX +/- 0.05	X.XX +/- 0.1°

CUSTOMER

CARCLO

TITLE

10mm IP66 narrow & medium frosted  
- with Location Pins & Flange

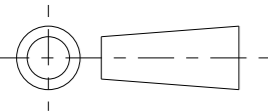
DRAWN BB DATE 12-Nov-10

CHK'D MH DATE 29-Nov-11

APP'D PW DATE 29-Nov-11

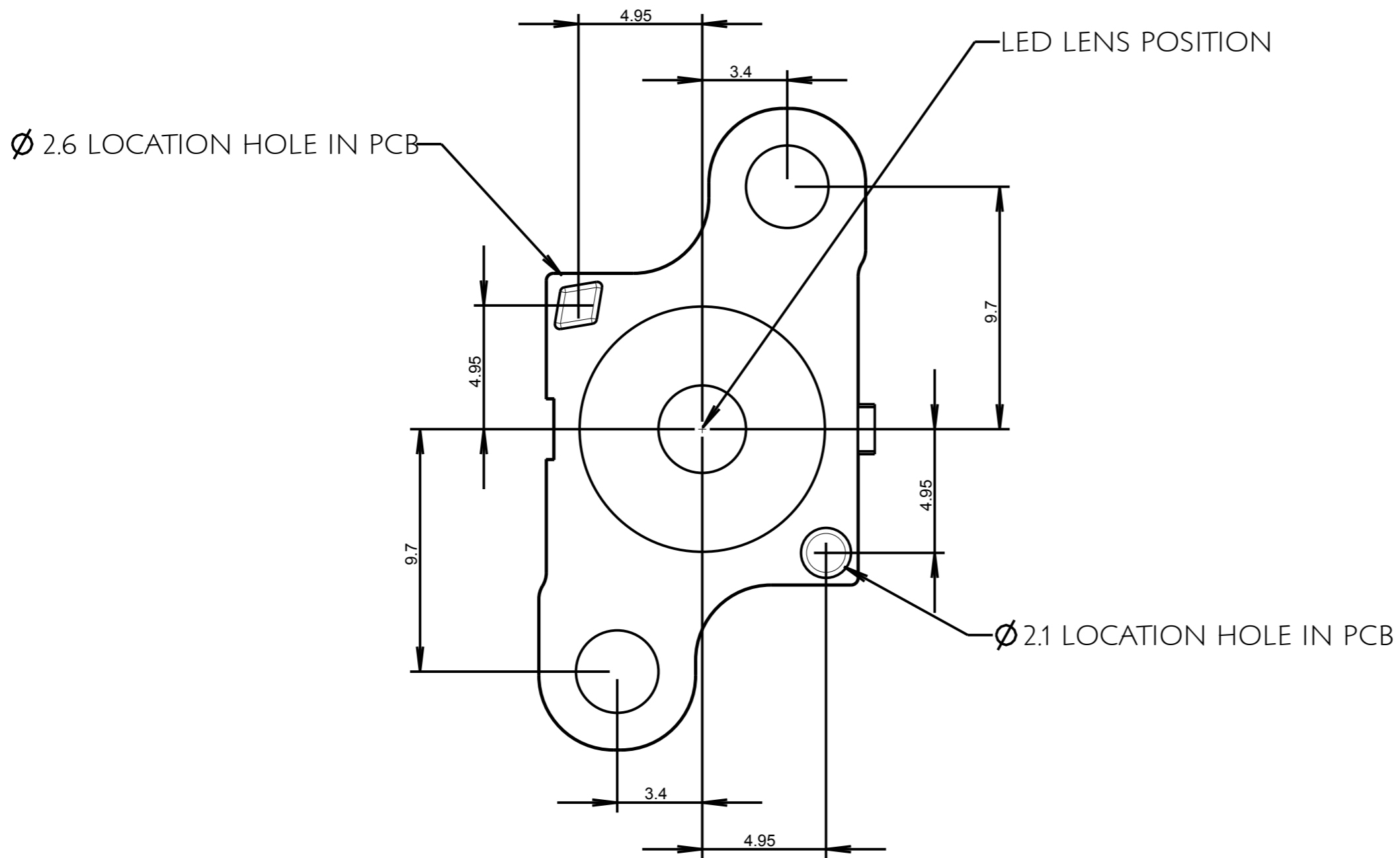
SCALE 4:1 CARCLO PART No. see table

SIZE A3 CARCLO DRG. No. 60657 SHEET 2 OF 3



©2011 CTP-COIL  
ALL DIMENSIONS IN mm

# PCB GLUE PAD AND ALIGNMENT HOLE LAYOUT DIMENSIONS



Optics Type	Part No.
Narrow Frosted	12083
Medium Frosted	12084

ISS.	DATE	E.C.N.	DESCRIPTION
1	12-Nov-10		FIRST ISSUE
2	23-Mar-11	03/11/1293	ADD RECESS DIMENSIONS & GENERAL INFO
3	17-Nov-11	11/11/1314	CHANGE 2.0MM PEGS HEIGHT TO 0.8mm



CARCLO TECHNICAL PLASTICS (SLOUGH)  
103 BUCKINGHAM AVE, SLOUGH  
SL1 4PF, ENGLAND  
TEL: +44 1753 575011 FAX: +44 1753 811359  
email: design@carclo-optics.com

GENERAL TOLERANCES (UNLESS STATED)

LINEAR	ANGULAR
X +/- 0.25	X +/- 1°
X.X +/- 0.1	X.X +/- 0.5°
X.XX +/- 0.05	X.XX +/- 0.1°

CUSTOMER  
CARCLO

TITLE  
10mm IP66 narrow & medium frosted  
- with Location Pins & Flange

DRAWN BB DATE 12-Nov-10

CHK'D MH DATE 29-Nov-11

APP'D PW DATE 29-Nov-11

SCALE 5:1 CARCLO PART No. see table

SIZE A3 CARCLO DRG. No. 60657 SHEET 3 OF 3