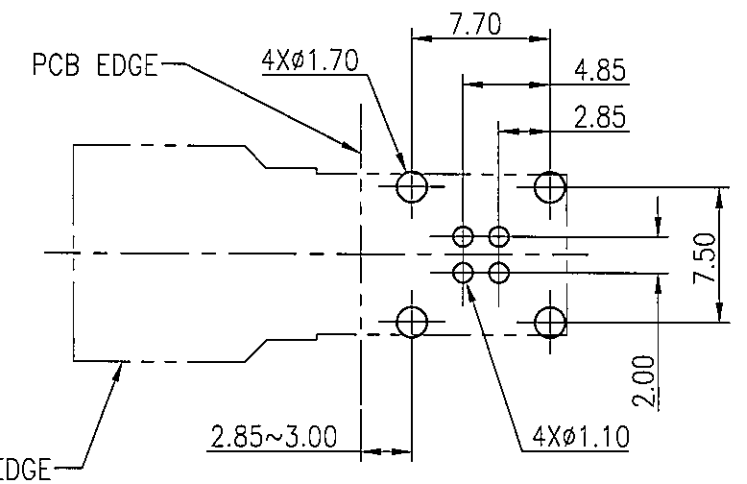
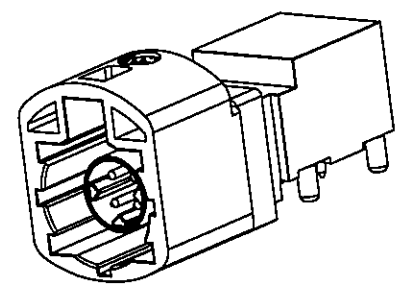
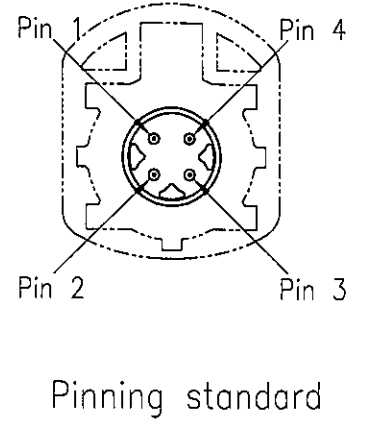
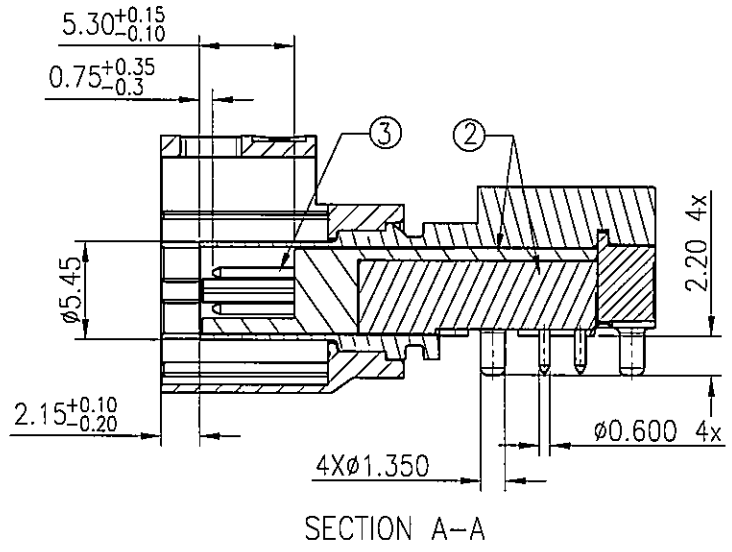
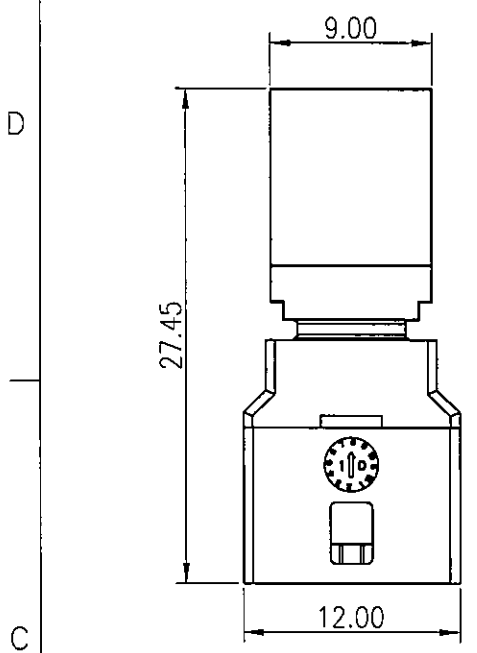


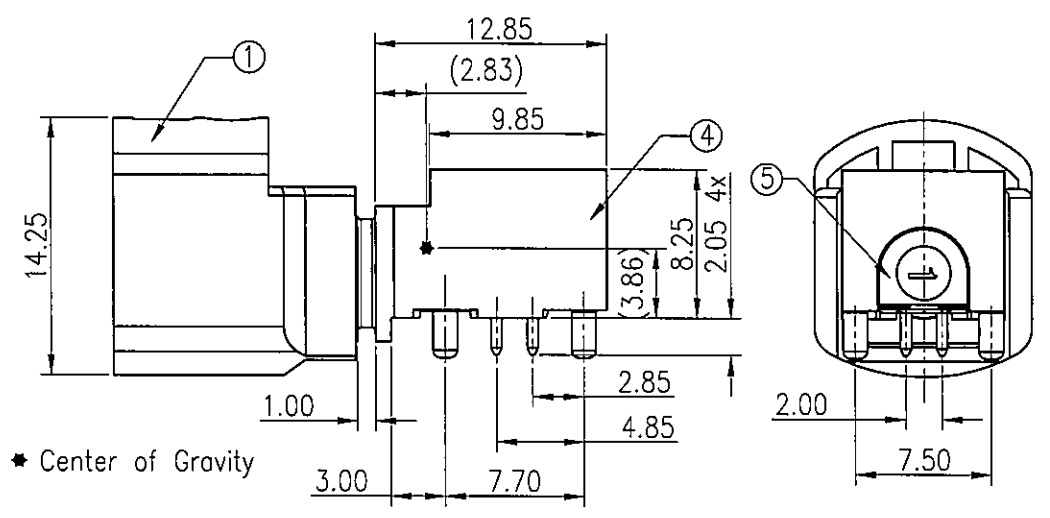
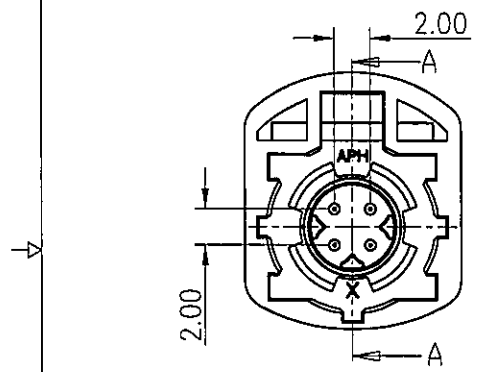
This document is the property of Amphenol Corporation and is delivered on the express condition that it is not to be disclosed, reproduced or used, in whole or in part, for manufacture or sale by anyone other than Amphenol Corporation without its prior consent, & that no right is granted to disclose or to use any information in this document.

# CUSTOMER DRAWING

REVISIONS				
SYM	ECN	DESCRIPTION	DATE	APPROVED
1	HK7311	RELEASE TO CUSTOMER	1/27'16	IP



RECOMMENDED PCB LAYOUT TOP VIEW  
TOLERANCE: ±0.05 (PCB THICKNESS=1.6±0.15mm)



★ Center of Gravity

- Notes:
- Material:
    - ① Housing: High temperature thermoplastic, color see table 1.
    - ② Dielectrics: High temperature thermoplastic, color black.
    - ③ Center contact: Copper alloy.
    - ④ Outer contact: Zinc alloy.
    - ⑤ Cover: Zinc alloy.
  - Finish:
    - ③ Center contact: 0.15um min. gold plated on contact area;
    - ④ Outer contact: 1.27um min. matte tin plated.
    - ⑤ Cover: 2um min. nickel plated.
  - RoHS compliant.
  - Order P/N system:

Table 1

Plug	Coding	Color	Ral
	A	Black	9005
	B	White	9001
	C	Blue	5005
	D	Claret	4004
	E	Green	6002
	F	Brown	8011
	Z	Waterblue	5021

Plug	Coding	Color	Ral
	G	Grey	7031
	H	Violet	4003
	J	Beige	1001
	K	Curry	1027
	L	Yellow green	6018
	M	Pastel orange	2003
	O	Light green	6027

HSD NXR P PCB 19X

Coding:  See table 1

Packing method:  
A- Packing by tape & reel  
B- Packing by tray  
C- In bulk



UNLESS OTHERWISE SPECIFIED TOLERANCES U.S. METRIC .X +/- 0.50 .XX +/- 0.25 .XXX +/- 0.20 FRACTIONS +/- ANGLES +/- 5°	APPROVAL	DATE	Amphenol
	DRAWN KAKA.Yang 1/27'16	1/27'16	
FOR MATERIALS AND FINISHES SEE NOTES	CHECKED <i>Walter</i>	CHECKED <i>Walter</i>	TITLE
REMOVE SHARP EDGES	DRAWING FILE: S:\PE Master\DRAWING\HSD\HSDNXRPPCB19X-1.DWG		HSD R/A PLUG, PIP TYPE NORTH LOCATION
DIMENSIONS	ANGLE OF PROJECTION		SIZE DRAWING NO.
U.S. INCHES			A3 HSDNXRPPCB19X
METRIC MM			SCALE 1:1
			REV. 1
			SHEET 1 OF 1