



## Main

|                              |   |
|------------------------------|---|
| Range of Product             | Altivar Machine ATV320  |
| Product or Component Type    | Variable speed drive  |
| Product Specific Application | Complex machines  |
| Variant                      | Standard version  |
| Format of the drive          | Compact   |
| Mounting Mode                | Wall mount  |
| Communication Port Protocol  | Modbus serial<br>CANopen  |
| Option card                  | Communication module, CANopen<br>Communication module, EtherCAT<br>Communication module, Profibus DP V1<br>Communication module, Profinet<br>Communication module, Ethernet Powerlink<br>Communication module, EtherNet/IP<br>Communication module, DeviceNet |
| [Us] rated supply voltage    | 200...240 V - 15...10 %   |
| Nominal output current       | 11.0 A  |
| Motor power kW               | 2.2 kW heavy duty   |
| EMC filter                   | Without EMC filter  |
| IP degree of protection      | IP20  |

## Complementary

|                           |   |
|---------------------------|---|
| Discrete input number     | 7   |
| Discrete input type       | STO safe torque off, 24 V DC 1.5 kOhm<br>DI1...DI6 logic inputs, 24 V DC 30 V)<br>DI5 programmable as pulse input 0...30 kHz, 24 V DC 30 V)   |
| Discrete input logic      | Positive logic (source)<br>Negative logic (sink)  |
| Discrete output number    | 3   |
| Discrete output type      | Open collector DQ+ 0...1 kHz 30 V DC 100 mA<br>Open collector DQ- 0...1 kHz 30 V DC 100 mA  |
| Analogue input number     | 3   |
| Analogue input type       | AI1 voltage 0...10 V DC 30 kOhm 10 bits<br>AI2 bipolar differential voltage +/- 10 V DC 30 kOhm 10 bits<br>AI3 current 0...20 mA (or 4-20 mA, x-20 mA, 20-x mA or other patterns by configuration) 250 Ohm 10 bits  |
| Analogue output number    | 1   |
| Analogue output type      | Software-configurable current AQ1 0...20 mA 800 Ohm 10 bits<br>Software-configurable voltage AQ1 0...10 V DC 470 Ohm 10 bits  |
| Relay output type         | Configurable relay logic R1A 1 NO 100000 cycles<br>Configurable relay logic R1B 1 NC 100000 cycles<br>Configurable relay logic R1C<br>Configurable relay logic R2A 1 NO 100000 cycles<br>Configurable relay logic R2C   |
| Maximum switching current | Relay output R1A, R1B, R1C resistive, cos phi = 1 3 A 250 V AC<br>Relay output R1A, R1B, R1C resistive, cos phi = 1 3 A 30 V DC<br>Relay output R1A, R1B, R1C, R2A, R2C inductive, cos phi = 0.4 7 ms 2 A 250 V AC<br>Relay output R1A, R1B, R1C, R2A, R2C inductive, cos phi = 0.4 7 ms 2 A 30 V DC<br>Relay output R2A, R2C resistive, cos phi = 1 5 A 250 V AC<br>Relay output R2A, R2C resistive, cos phi = 1 5 A 30 V DC |

The information provided in this documentation contains general descriptions and/or technical characteristics of the performance of the products contained herein. This documentation is not intended as a substitute for and is not to be used for determining suitability or reliability of these products for specific user applications. It is the duty of any such user or integrator to perform the appropriate and complete risk analysis, evaluation and testing of the products with respect to the relevant specific application or use thereof. Neither Schneider Electric Industries SAS nor any of its affiliates or subsidiaries shall be responsible or liable for misuse of the information contained herein.

|  |  |
|--|--|
| Minimum switching current                                | Relay output R1A, R1B, R1C, R2A, R2C 5 mA 24 V DC  |
| Method of access   | Slave CANopen  |
| 4 quadrant operation possible                            | True   |
| Asynchronous motor control profile                       | Voltage/Frequency ratio, 5 points<br>Flux vector control without sensor, standard<br>Voltage/Frequency ratio - Energy Saving, quadratic U/f<br>Flux vector control without sensor - Energy Saving<br>Voltage/frequency ratio, 2 points |
| Synchronous motor control profile                        | Vector control without sensor  |
| Maximum output frequency                                 | 0.599 kHz  |
| Transient overtorque                                     | 170...200 % of nominal motor torque  |
| Acceleration and deceleration ramps                      | Linear<br>U<br>S<br>CUS<br>Ramp switching<br>Acceleration/Deceleration ramp adaptation<br>Acceleration/deceleration automatic stop with DC injection   |
| Motor slip compensation                                  | Automatic whatever the load<br>Adjustable 0...300 %<br>Not available in voltage/frequency ratio (2 or 5 points)  |
| Switching frequency                                      | 2...16 kHz adjustable<br>4...16 kHz with derating factor   |
| Nominal switching frequency                              | 4 kHz  |
| Braking to standstill                                    | By DC injection  |
| Brake chopper integrated                                 | True   |
| Line current   | 14.9 A 200 V heavy duty)<br>12.5 A 240 V heavy duty)   |
| Maximum Input Current per Phase                          | 14.9 A   |
| Maximum output voltage                                   | 240 V  |
| Apparent power   | 5.2 kVA 240 V heavy duty)  |
| Network Frequency  | 50-60 Hz   |
| Relative symmetric network frequency tolerance           | 5 %  |
| Prospective line Isc                                     | 5 kA   |
| Base load current at high overload                       | 3.7 A  |
| Power dissipation in W                                   | Fan 91 W 200 V 4 kHz   |
| With safety function Safely Limited Speed (SLS)          | True   |
| With safety function Safe brake management (SBC/<br>SBT) | False  |
| With safety function Safe Operating Stop (SOS)           | False  |
| With safety function Safe Position (SP)                  | False  |
| With safety function Safe programmable logic             | False  |
| With safety function Safe Speed Monitor (SSM)            | False  |
| With safety function Safe Stop 1 (SS1)                   | True   |
| With sft fct Safe Stop 2 (SS2)                           | False  |
| With safety function Safe torque off (STO)               | True   |
| With safety function Safely Limited Position (SLP)       | False  |
| With safety function Safe Direction (SDI)                | False  |
| Protection type  | Input phase breaks drive<br>Overcurrent between output phases and earth drive<br>Overheating protection drive<br>Short-circuit between motor phases drive<br>Thermal protection drive  |
| Width  | 4.13 in (105.0 mm)   |
| Height   | 5.63 in (143.0 mm)   |
| Depth  | 5.43 in (138.0 mm)   |
| Net Weight   | 3.09 lb(US) (1.4 kg)   |

## Environment

|  |   |
|--|---|
| Operating position   | Vertical +/- 10 degree  |
| Product Certifications   | CE<br>ATEX<br>NOM<br>GOST<br>EAC<br>RCM<br>KC   |
| Marking  | CE<br>ATEX<br>UL<br>CSA<br>EAC<br>RCM   |
| Standards  | EN/IEC 61800-5-1  |
| Electromagnetic compatibility                                    | Electrostatic discharge immunity test level 3 IEC 61000-4-2<br>Radiated radio-frequency electromagnetic field immunity test level 3 IEC 61000-4-3<br>Electrical fast transient/burst immunity test level 4 IEC 61000-4-4<br>1.2/50 $\mu$ s - 8/20 $\mu$ s surge immunity test level 3 IEC 61000-4-5<br>Conducted radio-frequency immunity test level 3 IEC 61000-4-6<br>Voltage dips and interruptions immunity test IEC 61000-4-11 |
| Environmental class (during operation)                           | Class 3C3 according to IEC 60721-3-3<br>Class 3S2 according to IEC 60721-3-3  |
| Maximum acceleration under shock impact (during operation)       | 150 m/s <sup>2</sup> at 11 ms   |
| Maximum acceleration under vibrational stress (during operation) | 10 m/s <sup>2</sup> at 13...200 Hz  |
| Maximum deflection under vibratory load (during operation)       | 1.5 mm at 2...13 Hz   |
| Permitted relative humidity (during operation)                   | Class 3K5 according to EN 60721-3   |
| Volume of cooling air  | 3909.82 Gal/hr(US) (14.8 m <sup>3</sup> /h)   |
| Overvoltage category   | III   |
| Regulation loop  | Adjustable PID regulator  |
| Speed accuracy   | +/- 10 % of nominal slip 0.2 Tn to Tn   |
| Pollution degree   | 2   |
| Ambient air transport temperature                                | -13...158 °F (-25...70 °C)  |
| Ambient air temperature for operation                            | 14...122 °F (-10...50 °C) without derating<br>122...140 °F (50...60 °C) with derating factor  |
| Ambient Air Temperature for Storage                              | -13...158 °F (-25...70 °C)  |

## Ordering and shipping details

|                       |  |
|-----------------------|--|
| Category              | 22152 - ATV320/ATV312/ATV32 (.25 THRU 7.5HP) |
| Discount Schedule     | CP4B   |
| GTIN                  | 3606480966644                                |
| Nbr. of units in pkg. | 1  |
| Package weight(Lbs)   | 3.63 lb(US) (1.645 kg)                       |
| Returnability         | Yes  |
| Country of origin     | ID   |

## Packing Units

|                              |                          |
|------------------------------|--------------------------|
| Unit Type of Package 1       | PCE                      |
| Package 1 Height             | 7.09 in (18 cm)          |
| Package 1 width              | 7.28 in (18.5 cm)        |
| Package 1 Length             | 7.28 in (18.5 cm)        |
| Unit Type of Package 2       | P06                      |
| Number of Units in Package 2 | 30                       |
| Package 2 Weight             | 137.46 lb(US) (62.35 kg) |
| Package 2 Height             | 28.94 in (73.5 cm)       |

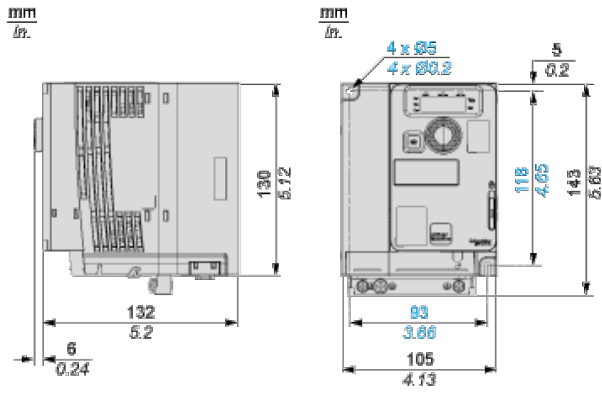
|                  |                  |
|------------------|------------------|
| Package 2 width  | 23.62 in (60 cm) |
| Package 2 Length | 31.50 in (80 cm) |

## Offer Sustainability

|                            |   |
|----------------------------|---|
| Sustainable offer status   | Green Premium product   |
| California proposition 65  | WARNING: This product can expose you to chemicals including: Lead and lead compounds, which is known to the State of California to cause cancer and birth defects or other reproductive harm. For more information go to <a href="http://www.P65Warnings.ca.gov">www.P65Warnings.ca.gov</a> |
| REACH Regulation           | <a href="#">REACH Declaration</a>   |
| EU RoHS Directive          | Pro-active compliance (Product out of EU RoHS legal scope) <a href="#">EU RoHS Declaration</a>  |
| Mercury free               | Yes   |
| RoHS exemption information | <a href="#">Yes</a>   |
| China RoHS Regulation      | <a href="#">China RoHS Declaration</a>  |
| Environmental Disclosure   | <a href="#">Product Environmental Profile</a>   |
| Circularity Profile        | <a href="#">End Of Life Information</a>   |
| WEEE                       | The product must be disposed on European Union markets following specific waste collection and never end up in rubbish bins.  |
| Upgradeability             | <a href="#">Upgraded Components Available</a>   |

Dimensions

Right and Front View

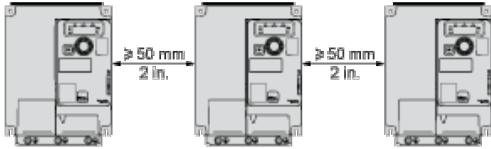


---

Mounting Types

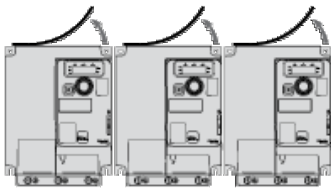
---

Mounting Type A: Individual with Ventilation Cover

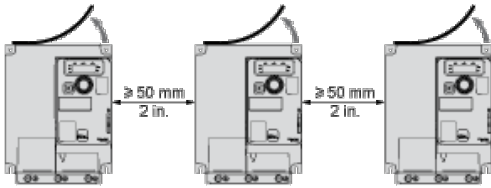


Only Possible at Ambient Temperature Less or Equal to 50 °C (122 °F)

Mounting Type B: Side by Side, Ventilation Cover Removed



Mounting Type C: Individual, Ventilation Cover Removed

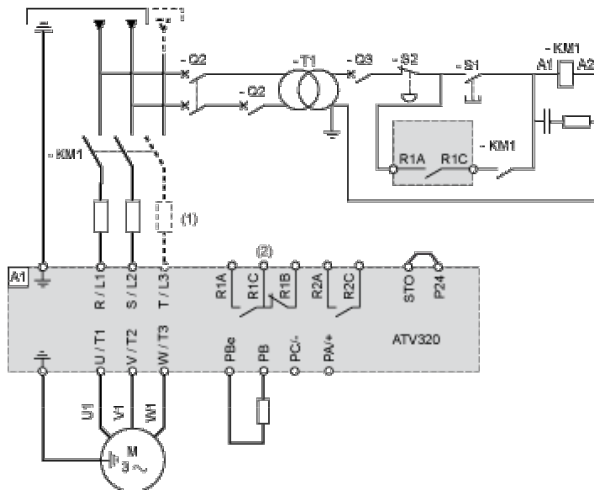


For Operation at Ambient Temperature Above 50 °C (122 °F)

Connection Diagrams

Diagram with Line Contactor

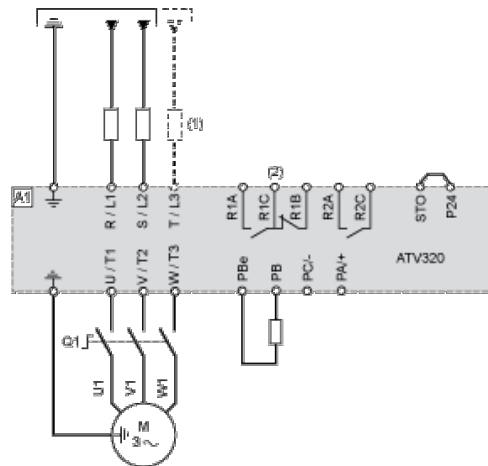
Connection diagrams conforming to standards ISO13849 category 1 and IEC/EN 61508 capacity SIL1, stopping category 0 in accordance with standard IEC/EN 60204-1.



- (1) Line choke (if used)
- (2) Fault relay contacts, for remote signaling of drive status

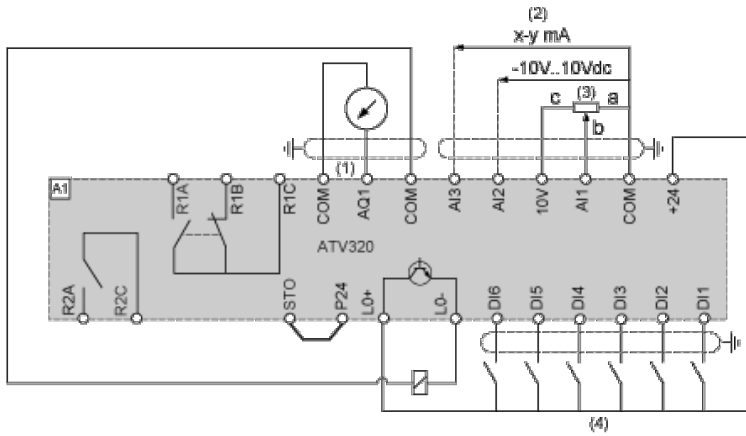
Diagram with Switch Disconnect

Connection diagrams conforming to standards EN 954-1 category 1 and IEC/EN 61508 capacity SIL1, stopping category 0 in accordance with standard IEC/EN 60204-1.



- (1) Line choke (if used)
- (2) Fault relay contacts, for remote signaling of drive status

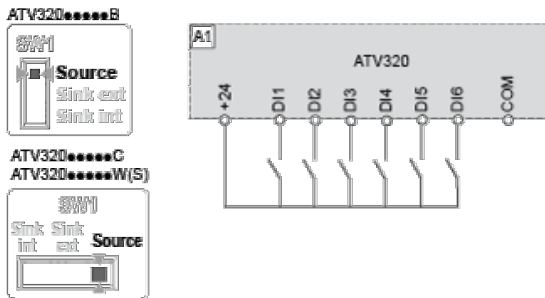
Control Connection Diagram in Source Mode



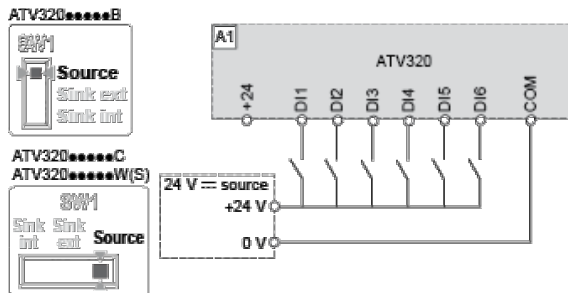
- (1) Analog output
- (2) Analog inputs
- (3) Reference potentiometer (10 kOhm maxi)
- (4) Digital inputs

## Digital Inputs Wiring

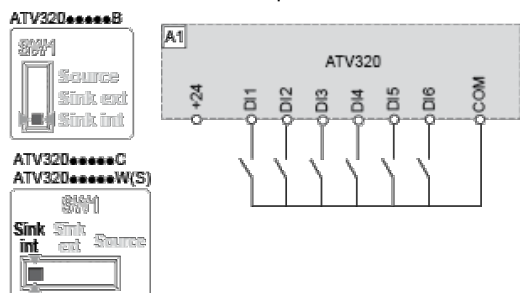
The logic input switch (SW1) is used to adapt the operation of the logic inputs to the technology of the programmable controller outputs. Switch SW1 set to “Source” position and use of the output power supply for the DIs.



Switch SW1 set to “Source” position and use of an external power supply for the DIs.

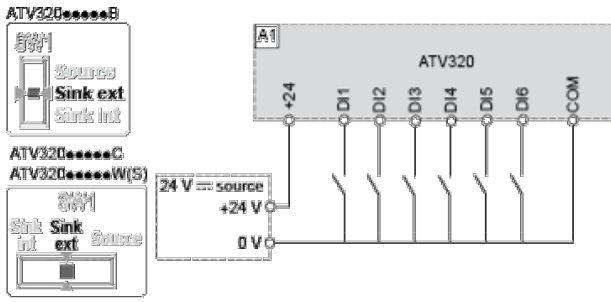


Switch SW1 set to “Sink Int” position and use of the output power supply for the DIs.





Switch SW1 set to "Sink Ext" position and use of an external power supply for the DIs.



Derating Curves

