

HC-ADV-B10-HLWH-BLANK-ELC-AL - Housing



1420051

<https://www.phoenixcontact.com/us/products/1420051>

Please be informed that the data shown in this PDF document is generated from our online catalog. Please find the complete data in the user documentation. Our general terms of use for downloads are valid.



Sleeve housing B10, with screw locking, material: Die-cast aluminum, salt water resistant, variable, height: 74 mm, cable gland: none, Offshore/EMC, Without thread opening for screw connection, conductive seal (EMC properties)

Commercial data

Item number	1420051
Packing unit	1 pc
Minimum order quantity	1 pc
Sales key	BF58
Product key	BF7APH
Catalog page	Page 603 (C-2-2019)
GTIN	4055626201467
Weight per piece (including packing)	237.6 g
Weight per piece (excluding packing)	237 g
Customs tariff number	85389099
Country of origin	CN

HC-ADV-B10-HLWH-BLANK-ELC-AL - Housing



1420051

<https://www.phoenixcontact.com/us/products/1420051>

Technical data

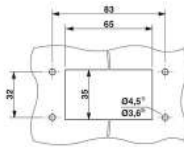
Notes

General	For contact inserts HC-B10, BB18, DD42, M, K8/24
---------	--

Product properties

Type	B10
Product type	Housing with screw locking
Application	Offshore/EMC
Fixing screws	M6 (screw head: 5 mm Allen screw)
Housing type	Sleeve housing
Shielded	yes
Cable outlet	variable
Pg screw connection	none

Dimensions

Dimensional drawing	
Width	57 mm
Height	74 mm
Length	105 mm

Installation dimensions

Width of the assembly cutout	35 mm
Length of the assembly cutout	65 mm

Material specifications

Seal material	NBR, conductive
Housing surface material	uncoated
Locking latch material	Stainless steel
Impact strength	IK09
Housing material	Die-cast aluminum, salt water resistant

Environmental and real-life conditions

Ambient conditions

Degree of protection	IP66
	IP68 (0.2 bar/24 h)
	IP69 (ISO 20653:2013-02)
Degree of protection (NEMA)	4 (UL 50e)
	4X (UL 50e)

HC-ADV-B10-HLWH-BLANK-ELC-AL - Housing



1420051

<https://www.phoenixcontact.com/us/products/1420051>

	12 (UL 50e)
Impact strength	IK09
Ambient temperature (operation)	-40 °C ... 125 °C

Mechanical properties

Mechanical data

Locking type	Screw
--------------	-------

Mounting

Assembly instructions	In order to guarantee that the protective conductor contact functions even when plugged in at an angle, the two panel-mount flanges must have sufficient electrical contact with the metal mounting panel.
	To ensure optimum shielding, any insulating power coating must be removed from the profile gasket area on the control cabinet panel. Tightening torque of locking screw: 3 Nm.
Fixing screws	M6 (screw head: 5 mm Allen screw)

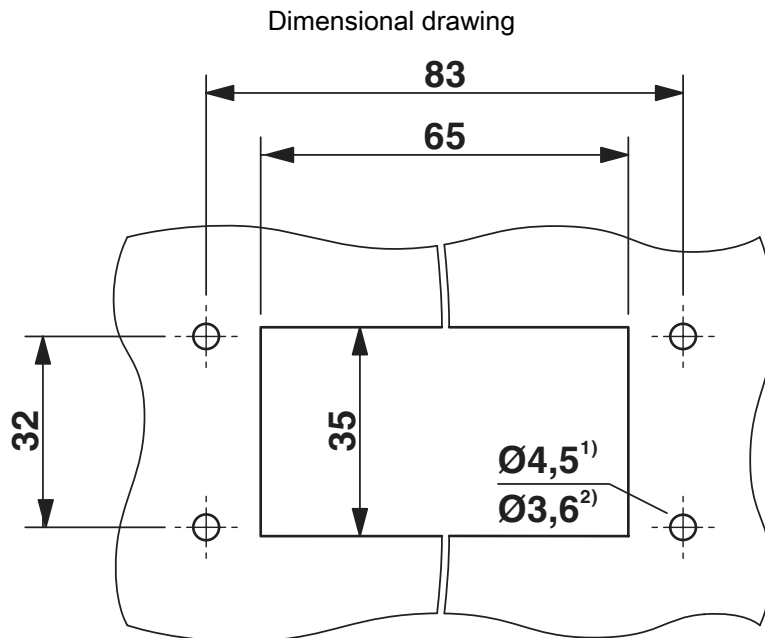
HC-ADV-B10-HLWH-BLANK-ELC-AL - Housing



1420051

<https://www.phoenixcontact.com/us/products/1420051>

Drawings

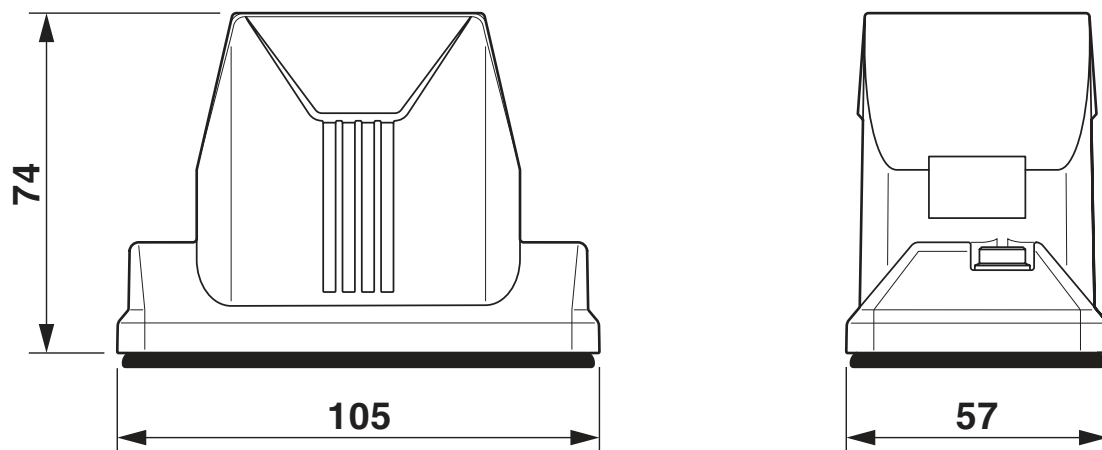


Mounting cutout

1) when M4 screws are used

2) when self-tapping Torx® screws are used (Torx® 20, M4)

Dimensional drawing



Dimensional drawing

1420051

<https://www.phoenixcontact.com/us/products/1420051>

Approvals

To download certificates, visit the product detail page: <https://www.phoenixcontact.com/us/products/1420051>

DNV

Approval ID: TAE000037S



cUL Recognized

Approval ID: E255026



UL Recognized

Approval ID: E255026



EAC

Approval ID: RU C-DE.AI30.B.01102



EAC

Approval ID: RU C-DE.BL08.B.00511

cULus Recognized

HC-ADV-B10-HLWH-BLANK-ELC-AL - Housing



1420051

<https://www.phoenixcontact.com/us/products/1420051>

Classifications

ECLASS

ECLASS-11.0	27440202
ECLASS-12.0	27440202
ECLASS-13.0	27440202

ETIM

ETIM 8.0	EC000437
----------	----------

UNSPSC

UNSPSC 21.0	31261500
-------------	----------

HC-ADV-B10-HLWH-BLANK-ELC-AL - Housing



1420051

<https://www.phoenixcontact.com/us/products/1420051>

Environmental product compliance

China RoHS	Environmentally friendly use period: unlimited = EFUP-e
	No hazardous substances above threshold values

HC-ADV-B10-HLWH-BLANK-ELC-AL - Housing

1420051

<https://www.phoenixcontact.com/us/products/1420051>

Accessories

HC-B-AF - Panel-mount flange

1686533

<https://www.phoenixcontact.com/us/products/1686533>



Panel-mount flange for HEAVYCON ADVANCE housing

HC-B-AF-SET - Panel-mount flange

1604638

<https://www.phoenixcontact.com/us/products/1604638>



Panel-mount flange for HEAVYCON ADVANCE housing, set consisting of: 2 panel-mount flanges with 4 self-tapping screws (M4, Torx[®]) and 4 fan-type washers

HC-ADV-B10-HLWH-BLANK-ELC-AL - Housing



1420051

<https://www.phoenixcontact.com/us/products/1420051>

HC-B 10-TMS-SD-IP50 - Protective cover

1690749

<https://www.phoenixcontact.com/us/products/1690749>



Protective cover B10, Clip locking, protective cover material: PA, height: 31.2 mm, seal: no, with lanyard

HC-B 10-TMS-SD-IP66 - Protective cover

1411504

<https://www.phoenixcontact.com/us/products/1411504>



HEAVYCON ADVANCE, IP66, B10 protective cover for panel mounting side, with screw locking, with retaining cord, diameter of retaining cord eyelet: 3 mm

HC-ADV-B10-HLWH-BLANK-ELC-AL - Housing



1420051

<https://www.phoenixcontact.com/us/products/1420051>

US-EMLP-HA (20X9) - Plastic label

0830989

<https://www.phoenixcontact.com/us/products/0830989>



Plastic label, Card, white, unlabeled, can be labeled with: BLUEMARK ID COLOR, BLUEMARK ID, THERMOMARK PRIME, THERMOMARK CARD 2.0, THERMOMARK CARD, mounting type: adhesive, lettering field size: 20 x 9 mm, Number of individual labels: 70

US-EMLP-HA (20X9) CUS - Plastic label

0830995

<https://www.phoenixcontact.com/us/products/0830995>



Plastic label, Card, white, labeled, can be labeled with: THERMOMARK CARD, mounting type: adhesive, lettering field size: 20 x 9 mm, Number of individual labels: 70

HC-ADV-B10-HLWH-BLANK-ELC-AL - Housing



1420051

<https://www.phoenixcontact.com/us/products/1420051>

SF-BIT-HEXB 5-89 - Screw insert

1208911

<https://www.phoenixcontact.com/us/products/1208911>



Screw bit, hexagonal with ball head, E6.3-1/4" drive, size: Hex 5 x 89 mm, hardened, suitable for holder according to DIN 3126-F 6.3/ISO 1173

SF-M BH - Screwdriver

1212070

<https://www.phoenixcontact.com/us/products/1212070>



Bit screwdriver, with 1/4" quick-action chuck, handle length 119 mm, 2-component handle, with non-slip grip, suitable for bits according to DIN 3126-C 6.3 and E 6.3/ISO 1173, magnetic

Phoenix Contact 2023 © - all rights reserved
<https://www.phoenixcontact.com>

Phoenix Contact USA
586 Fulling Mill Road
Middletown, PA 17057, United States
(+717) 944-1300
info@phoenixcon.com