

PRODUCT NUMBER
20020108-XXXXXXLF

20020108 - □ □ □ □ A 0 □ LF

PITCH

C : 3.50 mm
D : 3.81 mm
G : 5.00 mm
H : 5.08 mm

POLES



02: 2 POLES
03: 3 POLES
04: 4 POLES

LF : DENOTED ROHS COMPATIBLE

1 : STANDARD PRODUCT
W/ BOX PACKING

24: 24 POLES

HOUSING CODE

PROPERTY TABLE					
FCI SERIES NAME	06-350	06-381	06-500	06-508	
PITCH (mm)	3.50	3.81	5.00	5.08	
VOLTAGE RATING (VAC)	300	300	300	300	
CURRENT RATING (A)	cULus	10	10	12	12
	VDE	10.5	10.5	NA	NA
WITHSTANDING VOLTAGE (kV)	cULus	1.6	1.6	1.6	1.6
	VDE	2.5	2.5	NA	NA
OPERATING TEMP. (°C)	-40~+115	-40~+115	-40~+115	-40~+115	
SOLDERING TEMP. (°C)	250±10	250±10	250±10	250±10	
	(5 sec.)	(5 sec.)	(5 sec.)	(5 sec.)	
POLES AVAILABLE	02~24	02~24	02~24	02~24	
SAFETY CERTIFICATE					

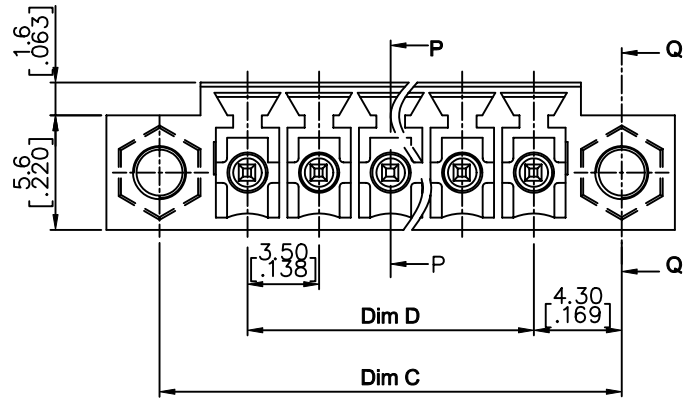
CODE	COLOR	AVAILABILITY
1	GREEN(RAL 6018/T)	STANDARD
2	BLACK	ON REQUEST ONLY
3	GREY(RAL 7004/P)	ON REQUEST ONLY
4	BLUE(RAL 5015/A)	ON REQUEST ONLY

NOTES:

- MATERIALS
1-1 HOUSING: THERMALPLASTIC RESIN, UL 94V-0 RATED.
1-2 TERMINAL: COPPER ALLOY, TIN PLATED.
- PRODUCT SPECIFICATION REFER TO FCI GS-12-625.
- BOXED PACKAGING,
DETAILED PRODUCT PACKING SPECIFICATION REFER TO FCI GS-14-1394.
- FCI, SAFETY CERTIFICATE LOGO AND SERIES NAME TO BE SHOWN ON PRODUCT SURFACE.
- THE PRODUCTS WHERE THE PART NUMBER END IN "LF" MEET THE EUROPEAN UNION DIRECTIVE AND OTHER COUNTRY REGULATIONS AS DESCRIBED IN GS-22-008.
- RECOMENDED SOLDERING PROCESS BY WAVE SOLDER.

mat'l. code		surface ASME Y14.5 ✓		tolerance ASME Y14.5		projection		product family	
litr		ecn no	dr	date		tolerances unless otherwise specified		TERMINAL BLOCK	
A	T10-0062	WL		050710		X.±0.5[.020]		title	
B	T10-0155	WL		093010		X.X±0.3[.012]		TERMINAL BLOCK	
C	T10-0187	WL		121410		X'±1"		PLUGGABLE, SOCKET, SIGNAL, STRAIGHT	
D	T11-0019	WL		040611		dr WENDY CHEN 042310		W/FLANGE	
E	T-004860	WL		080411		enr JASON HSU 042310		dwg no	
						chr GARY HSIEH 042310		sheet 1 of 5	
						appd JOSEPH HSIA 042310		20020108	
sheet index		revision sheet		E E E E E		3 4 5		A4	
				1 2 3 4 5				type CUSTOMER Drawing	

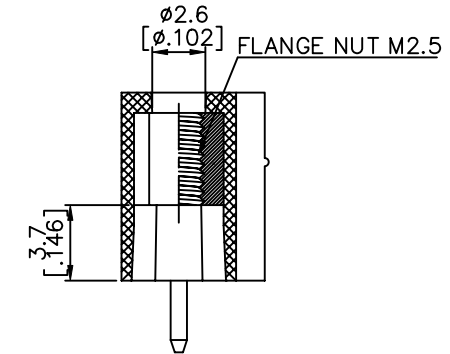
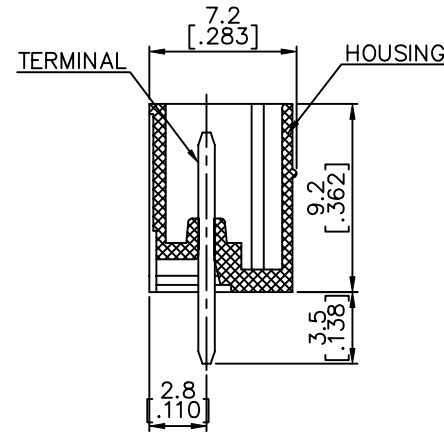
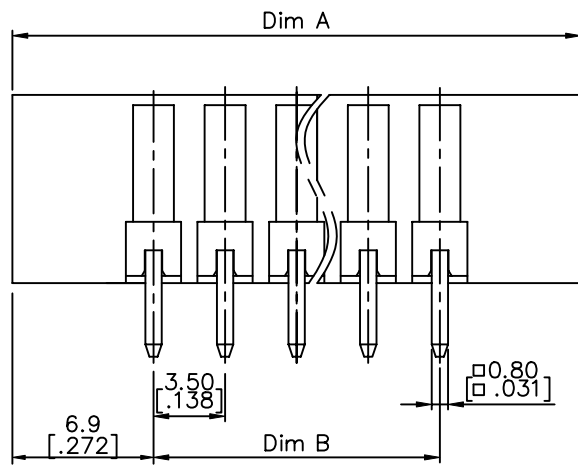
PRODUCT NUMBER	SERIES NAME	PITCH
20020108-CXXXXXXLF	06-350	3.50 mm



N= Number of poles

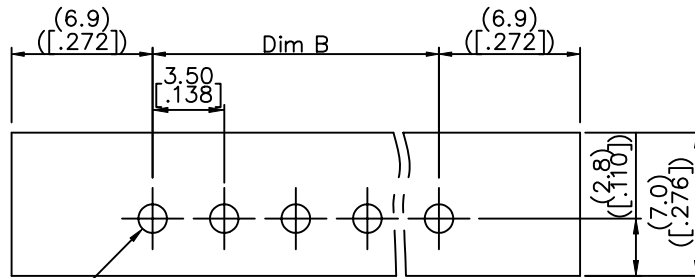
Dim A	$(N-1)*3.5[.138]+13.8[.543]$
Dim B	$(N-1)*3.5[.138]$
Dim C	$(N-1)*3.5[.138]+8.6[.339]$
Dim D	$(N-1)*3.5[.138]$

Poles	Tolerance
2p-6p	$\pm 0.15[.006]$
7p-12p	$\pm 0.20[.008]$
13p-16p	$\pm 0.25[.010]$
17p-24p	$\pm 0.30[.012]$



SECTION P-P

SECTION Q-Q



$\phi 1.40$ Typ.
 $\phi .055$

RECOMMENDED P.C.B LAYOUT

mat'l. code	surface ASME Y14.5	tolerance ASME Y14.5	projection 	product family TERMINAL BLOCK
ltr	ecn no	dr	date	title TERMINAL BLOCK PLUGGABLE, SOCKET, SIGNAL, STRAIGHT W/FLANGE
E				MM INCH
	angles X \pm 1°	int X.X \pm 0.5[.020] X.X \pm 0.3[.012] X.XX \pm 0.1[.004]	scale	sheet 2 of 5 size
	dr	WENDY CHEN	042310	20020108
	enr	JASON HSU	042310	A4
	chr	GARY HSIEH	042310	
	appd	JOSEPH HSIA	042310	type CUSTOMER Drawing
sheet index	revision sheet			

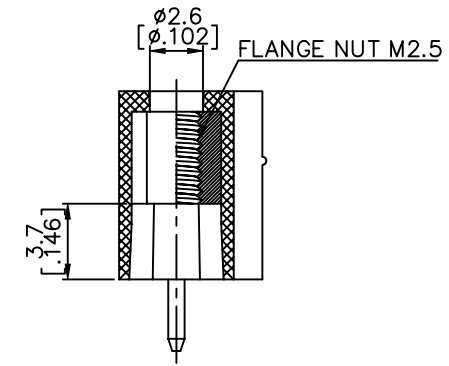
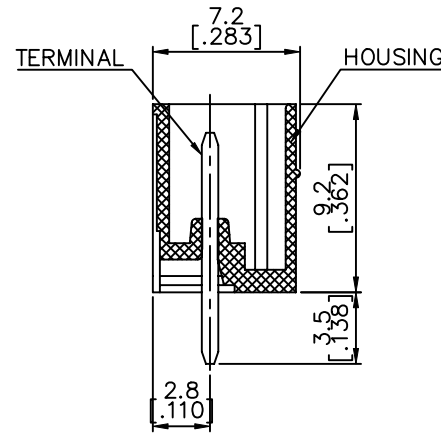
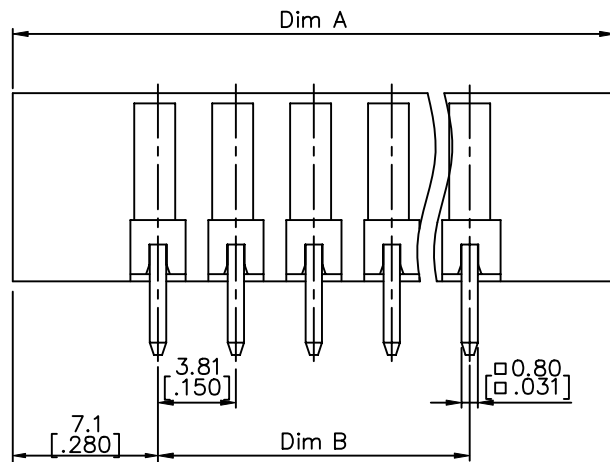
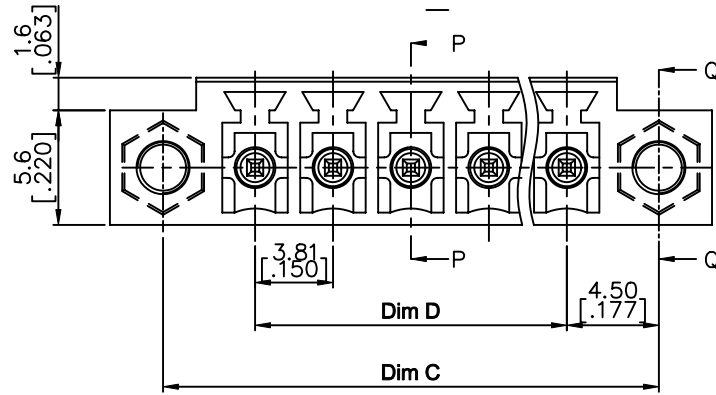


PRODUCT NUMBER	SERIES NAME	PITCH
20020108-DXXXXXXLF	06-381	3.81 mm

N= Number of poles

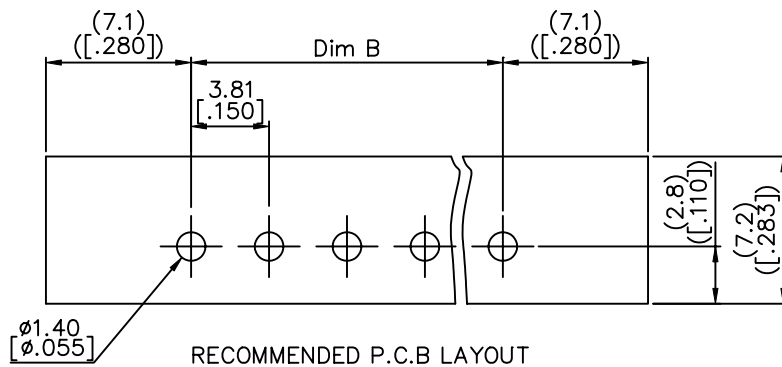
Dim A	$(N-1)*3.81[.150]+14.2[.559]$
Dim B	$(N-1)*3.81[.150]$
Dim C	$(N-1)*3.81[.150]+9.0[.354]$
Dim D	$(N-1)*3.81[.150]$

Poles	Tolerance
2p-6p	$\pm 0.15[.006]$
7p-12p	$\pm 0.20[.008]$
13p-16p	$\pm 0.25[.010]$
17p-24p	$\pm 0.30[.012]$



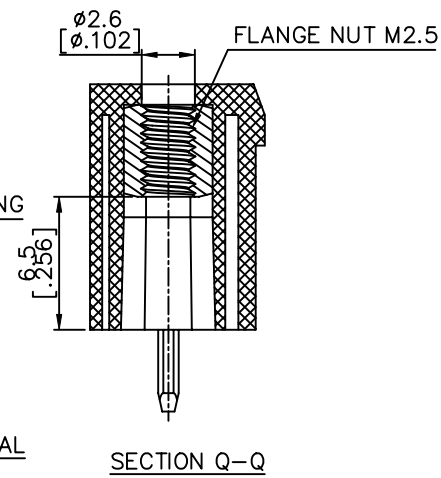
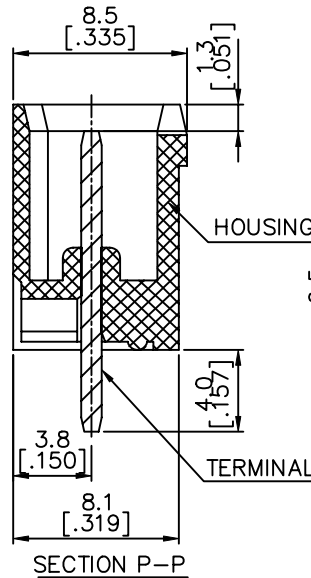
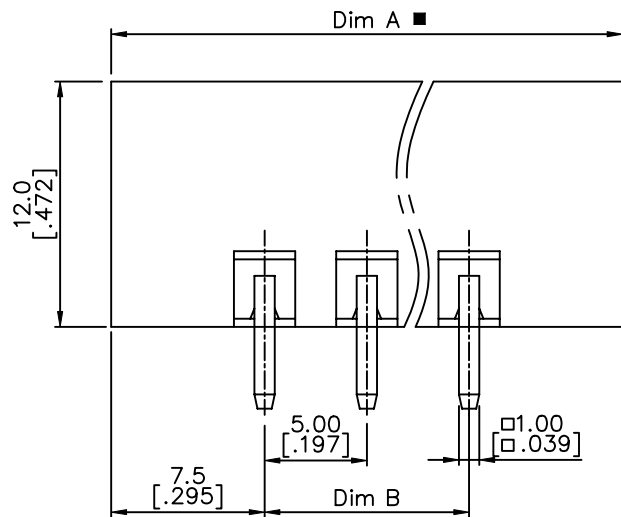
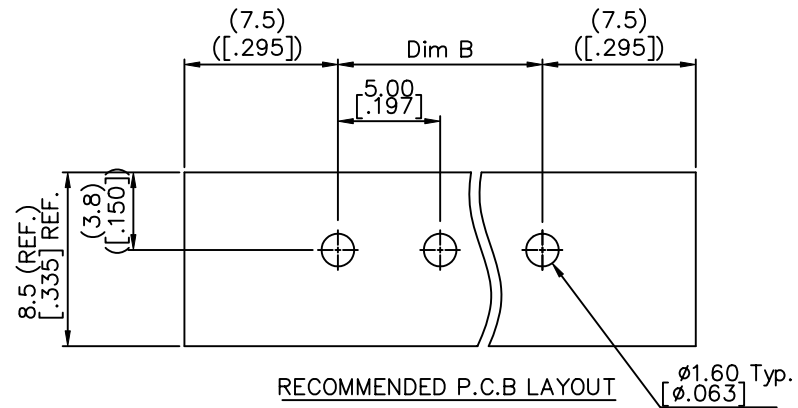
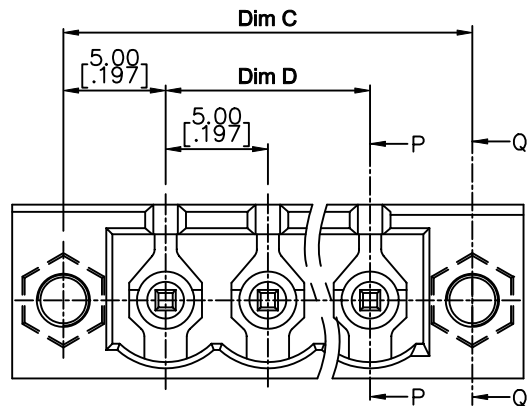
SECTION P-P

SECTION Q-Q



mat'l. code		surface ASME Y14.5	tolerance ASME Y14.5	projection MM INCH	product family TERMINAL BLOCK
ltr	ecn no	dr	date	title TERMINAL BLOCK PLUGGABLE, SOCKET, SIGNAL, STRAIGHT W/FLANGE	
E				scale	sheet 3 of 5 size
					20020108
					A4
					type CUSTOMER Drawing
sheet index	revision sheet				

PRODUCT NUMBER	SERIES NAME	PITCH
20020108-GXXXXXXLF	06-500	5.00 mm



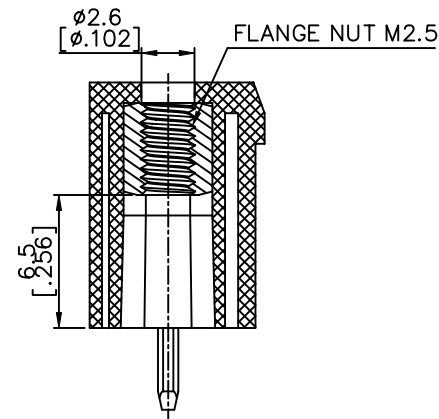
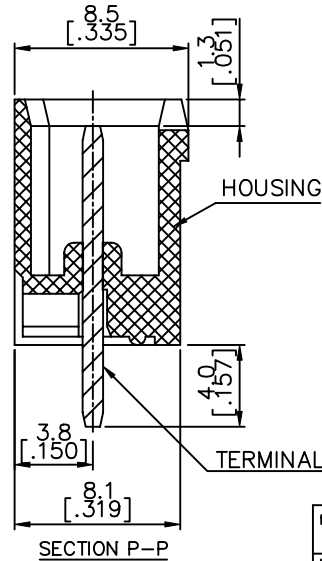
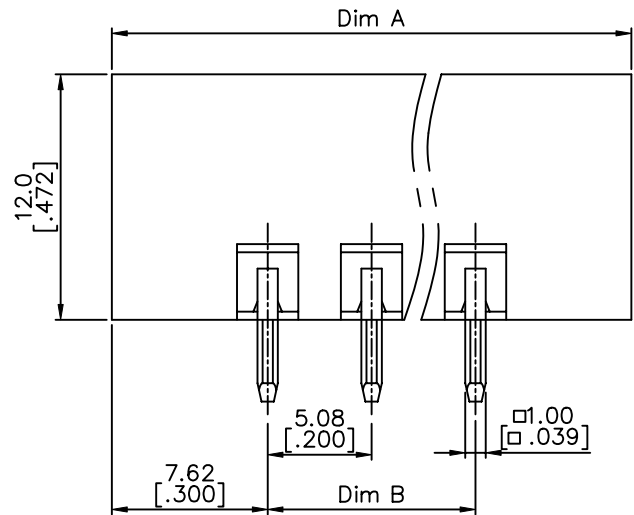
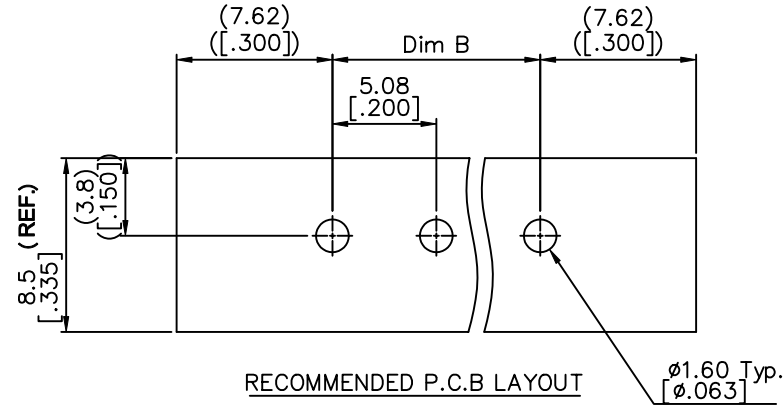
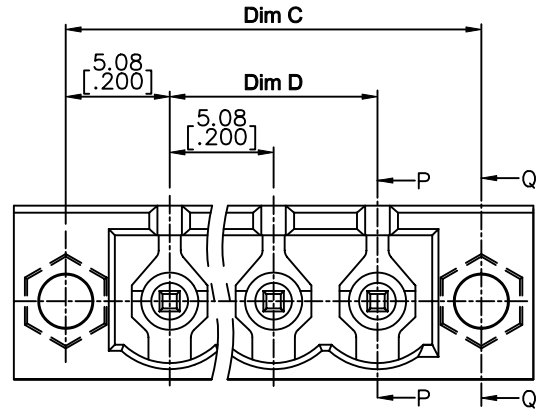
N= Number of poles

Dim A	(N+2)*5.0
Dim B	(N-1)*5.0
Dim C	(N+1)*5.0
Dim D	(N-1)*5.0

Poles	Tolerance
2P-6P	±0.15
7P-12P	±0.20
13P-18P	±0.30
19P-24P	±0.40

mat'l. code		surface ASME Y14.5 ✓	tolerance ASME Y14.5	projection 	product family TERMINAL BLOCK
ltr	ecn no	dr	date	title TERMINAL BLOCK PLUGGABLE, SOCKET, SIGNAL, STRAIGHT W/FLANGE	
E				MM [INCH]	scale
				angles X±1°	dr WENDY CHEN 042310
				tolerances unless otherwise specified	enr JASON HSU 042310
					chr GARY HSIEH 042310
					appd JOSEPH HSIA 042310
sheet index	revision sheet				FCI type CUSTOMER Drawing

PRODUCT NUMBER	SERIES NAME	PITCH
20020108-HXXXXXXLF	06-508	5.08 mm



N= NUMBER OF POLES

Dim A	$(N+2)*5.08$
Dim B	$(N-1)*5.08$
Dim C	$(N+1)*5.08$
Dim D	$(N-1)*5.08$

Poles	Tolerance
2P-6P	± 0.15
7P-12P	± 0.20
13P-18P	± 0.30
19P-24P	± 0.40

mat'l. code	surface ASME Y14.5	tolerance ASME Y14.5	projection 	product family TERMINAL BLOCK
ltr	ecn no	dr	date	title TERMINAL BLOCK PLUGGABLE, SOCKET, SIGNAL, STRAIGHT W/FLANGE
E				dwg no 20020108
	angles	int		sheet 5 of 5 size A4
	$X \pm 1^\circ$	$X.X \pm 0.3$ [$.012$]	MM INCH	type CUSTOMER Drawing
		$X.XX \pm 0.1$ [$.004$]	scale	
	dr	WENDY CHEN	042310	
	enr	JASON HSU	042310	
	chr	GARY HSIEH	042310	
	appd	JOSEPH HSIA	042310	
sheet index	revision sheet			