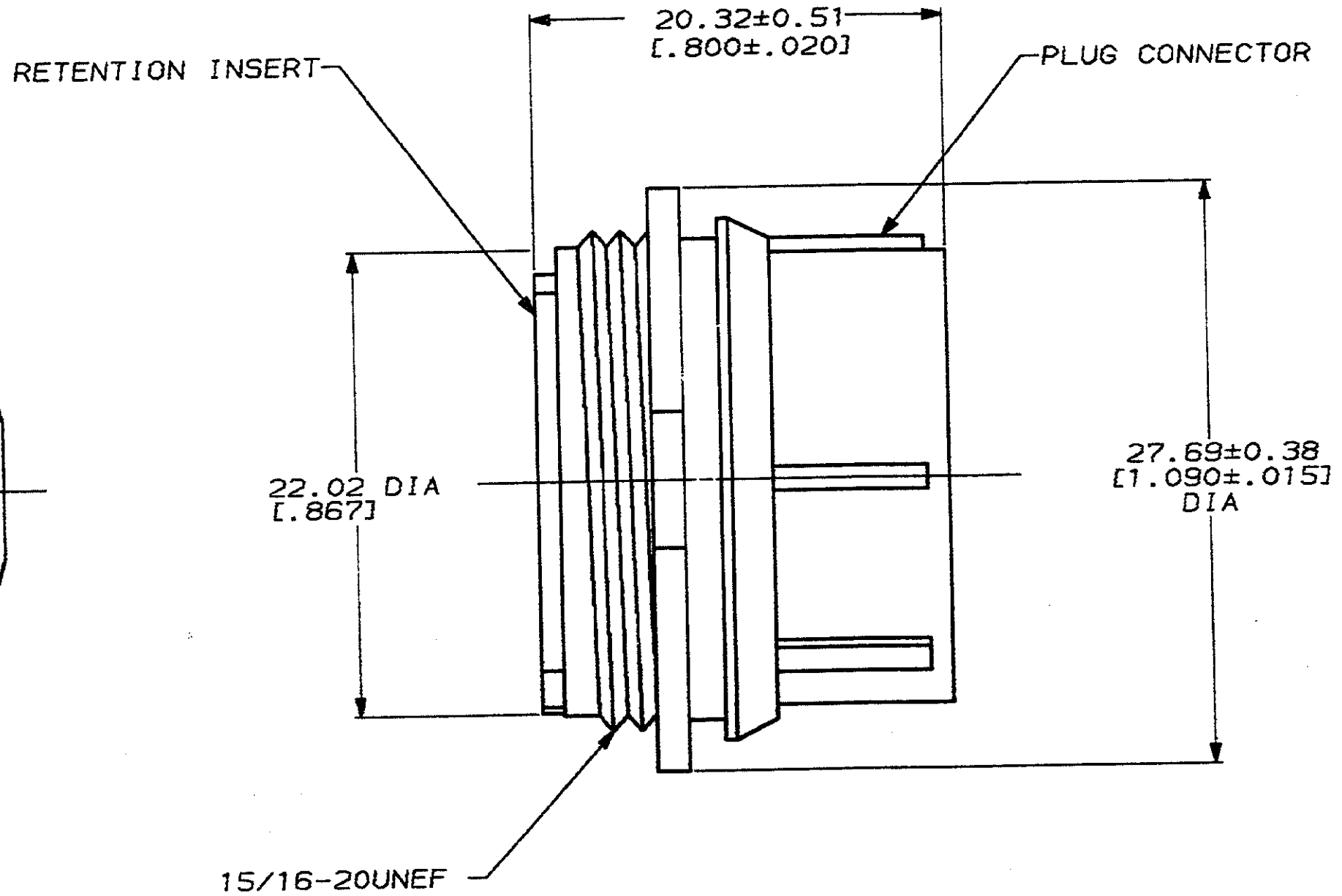
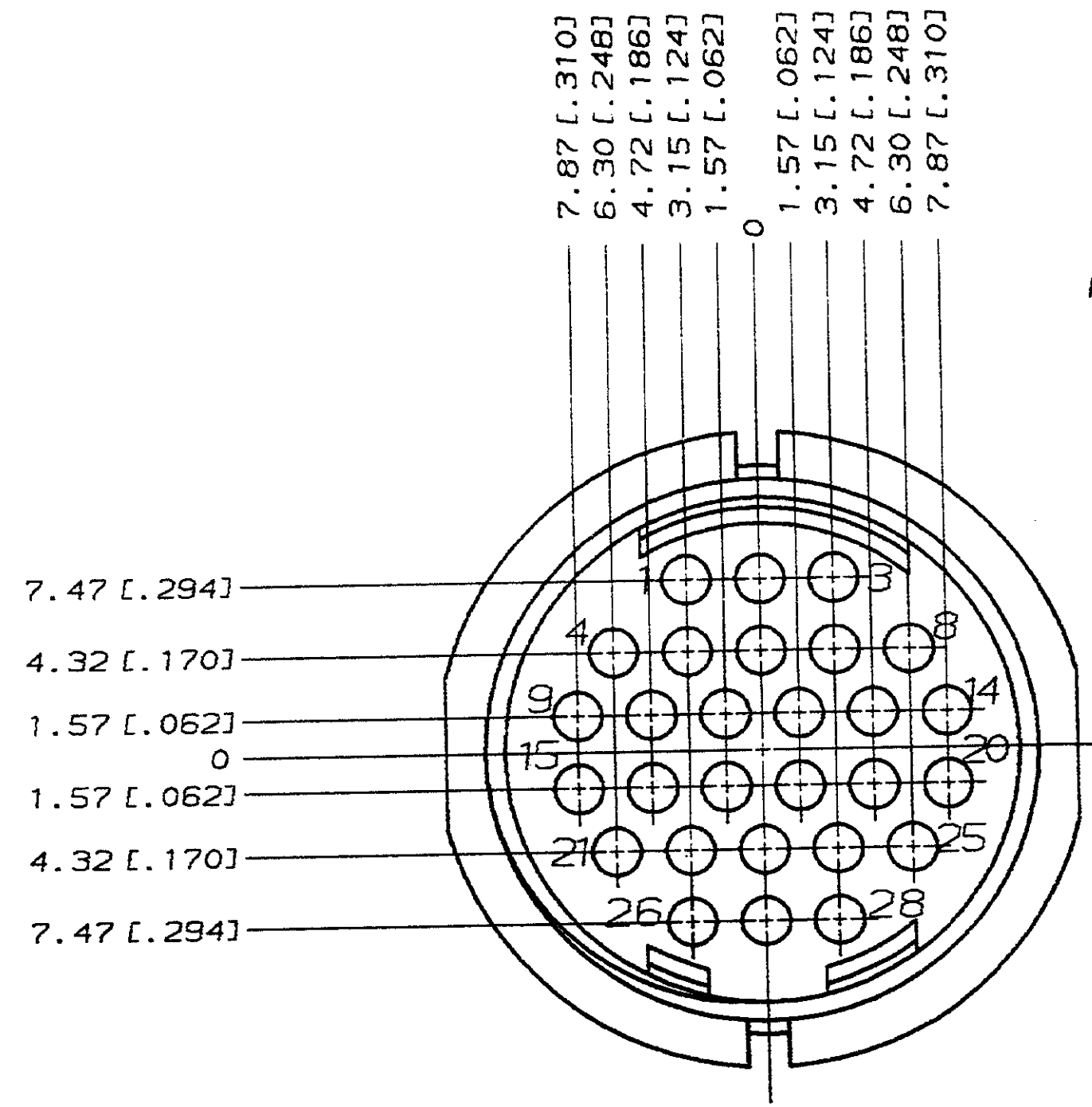


DRAWING MADE IN THIRD ANGLE PROJECTION

THIS DRAWING IS UNPUBLISHED. RELEASED FOR PUBLICATION .19  
 © COPYRIGHT 19 BY AMP INCORPORATED. ALL INTERNATIONAL RIGHTS RESERVED.

MOD		LOC		DIST		ZONE		LTR		REVISIONS	
23	BD	39						0		RELEASED PER NPR 3182	10/18/90



- CONTACT CAVITIES IDENTIFIED BY CHARACTERS ON FRONT AND REAR FACE OF CONNECTOR.
- PLUG WILL ACCEPT 28 SIZE 20 SOCKET CONTACTS.

213626-1  
PART NO

DO NOT SCALE PRINT. UNLESS SPECIFIED DIMENSIONS IN mm [INCHES]		DR 10/18/90 W.G. LENKER		AMP Incorporated Harrisburg, PA 17105-3608	
TOLERANCES ON: 2 PLC DEC ± 0.13 [0.005] 3 PLC DEC ± - ANGLES ± -		CHK <i>J. Mullinta</i> 11-14-90			
MATERIAL NYLON, BLACK		APPD <i>H. Beaver</i> 11-14-90		NAME PLUG ASSEMBLY, SIZE 17-28, CLASS A, CPC	
FINISH -		APPD <i>John Ferguson</i> 11/14/90		SIZE C 00779	
PRODUCT SPEC -		APPLICATION SPEC -		DRAWING NO 213626	
WEIGHT -		SCALE 4:1		SHEET 1 OF 1	

CUSTOMER DRAWING