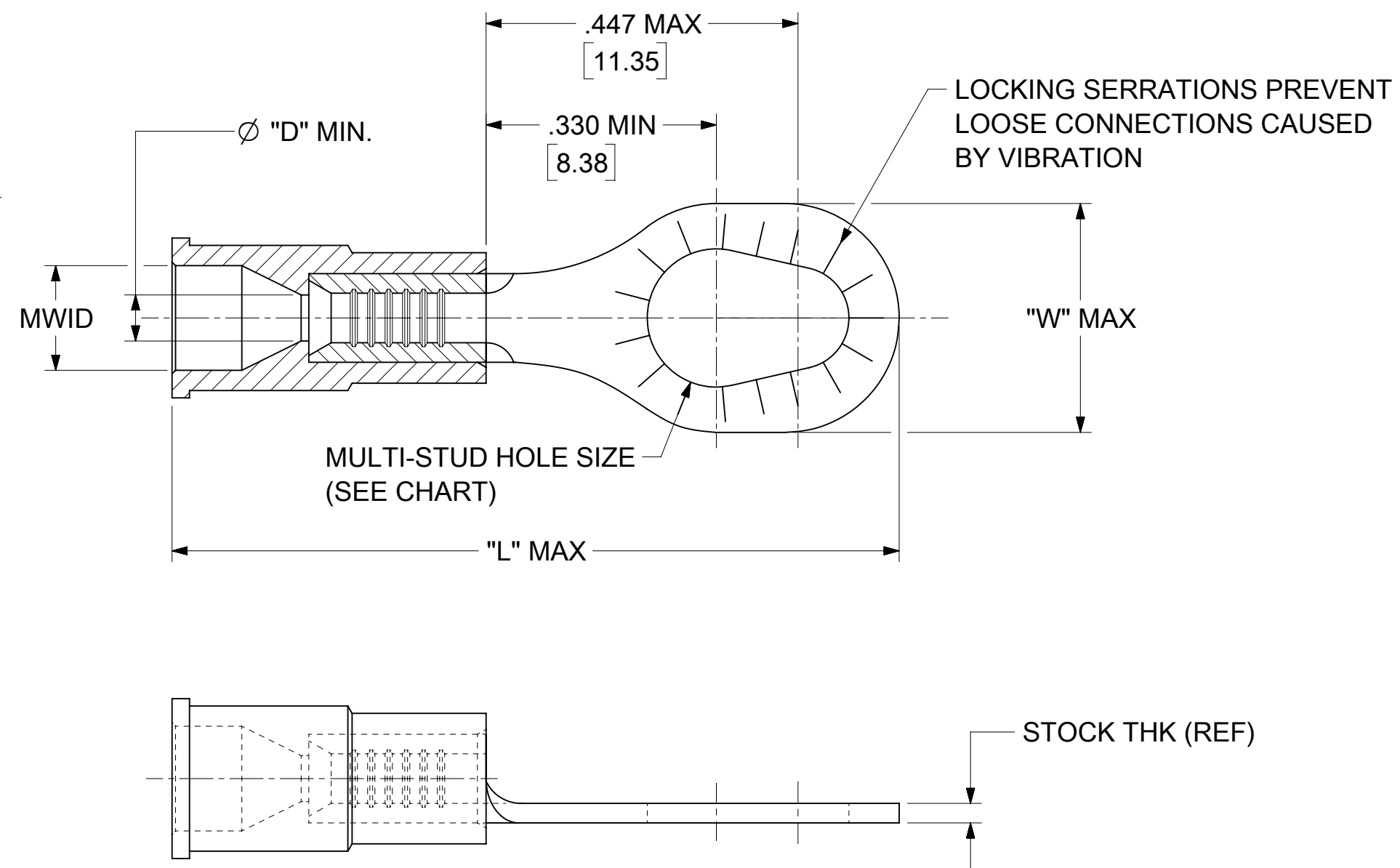


MAT'L NO.	ENG NO.	(TAPE) MAT'L NO.	(TAPE) ENG NO.	WIRE - AWG	ENG NO.	STOCK THK	"D" MIN	"L" MAX	"W" MAX	MWID	MULTI-STUD HOLE SIZE
190800003	B-2006-MSX	----	----	16-14 (1.0-2.5MM ²)	BLUE	.03 (0.8)	.081 (2.06)	1.07 (27.2)	.36 (9.2)	.175 (4.45)	06 (.146/ 3.71), 08 (.173/ 4.39), 10 (.198/ 5.03)
190800005	C-2006-MSX	190800006	C-2006-MSXT	12-10 (4.0-6.0MM ²)	YELLOW	.04 (1.0)	.128 (3.25)	1.19 (30.3)	.41 (10.4)	.250 (6.35)	

A



- NOTE(S):
1. CONDUCTOR MATERIAL: COPPER
PLATING: TIN
 2. PVC INSULATION: COLOR CODED (SEE CHART)
 3. MWID = MAX WIRE INSULATION DIAMETER
 4. PARTS ARE RoHS COMPLIANT.

THIS DRAWING CONTAINS INFORMATION THAT IS PROPRIETARY TO MOLEX ELECTRONIC TECHNOLOGIES, LLC AND SHOULD NOT BE USED WITHOUT WRITTEN PERMISSION											
SYMBOLS		DIMENSION UNITS		SCALE		CURRENT REV DESC: MIGRATE TO NX, UPDATE PART NO.'S, & RMV OBSO PN 190800003 (A-2006-MSX)			molex		
= 0		INCH/MM		NTS							
= 0		GENERAL TOLERANCES (UNLESS SPECIFIED)							INSULKRIMP MULTI-STUD RING TONGUE TERMINAL		
= 0											
= 0		4 PLACES ±		MM		INCH		EC NO: 631615			
= 0		3 PLACES ±						DRWN: DMYRICK 2020/01/30			
= 0		2 PLACES ±						CHK'D: JMACNEIL 2020/02/05			
= 0		1 PLACE ±						APPR: JMACNEIL 2020/02/05			
= 0		0 PLACES ±						INITIAL REVISION:			
= 0		ANGULAR TOL ± °						DRWN: RFC_PLMIMP 2020/01/23			
= 0		DRAFT WHERE APPLICABLE MUST REMAIN WITHIN DIMENSIONS		THIRD ANGLE PROJECTION		DRAWING		SERIES		DOCUMENT NUMBER	
= 0				B-SIZE		19080		MATERIAL NUMBER		CUSTOMER	
								SEE CHART		GENERAL MARKET	
										PSD 001 A	
										1 OF 1	