

# INTEGRATED CONNECTOR MODULES

## 0826-1M1T-43-F Gigabit Ethernet Single Port MagJack® with LEDs



LED1 POLARITY			LED2 POLARITY		
PIN 13	PIN 14	COLOR	PIN 15	PIN 16	COLOR
+	-	GREEN	+	-	GREEN
-	+	ORANGE			

**ELECTRICAL CHARACTERISTICS @ 25°C**

**URNS RATIO**

TP1	1CT : 1CT ±2%
TP2	1CT : 1CT ±2%
TP3	1CT : 1CT ±2%
TP4	1CT : 1CT ±2%

**DCL @ 100kHz/100mVRMS**  
8mA DC BIAS

350µH MIN.

**INS. LOSS**

0.1MHz TO 1MHz	-1.1 dB MAX
1MHz TO 65MHz	-0.5 dB MAX
65MHz TO 100MHz	-0.8 dB MAX
100MHz TO 125MHz	-1.2 dB MAX

**RET. LOSS (MIN)**

0.5MHz-40MHz	-18 dB
40MHz-100MHz	-12+20LOG(f/80MHz) dB

**CROSS TALK**

100kHz - 100MHz	-33+20LOG(f/100MHz)dB MIN
-----------------	---------------------------

**CM TO CM REJ**

100kHz - 100MHz	-30 dB MIN
-----------------	------------

**CM TO DM REJ**

100kHz - 100MHz	-35 dB MIN
-----------------	------------

**HIPOT (Isolation Voltage):**

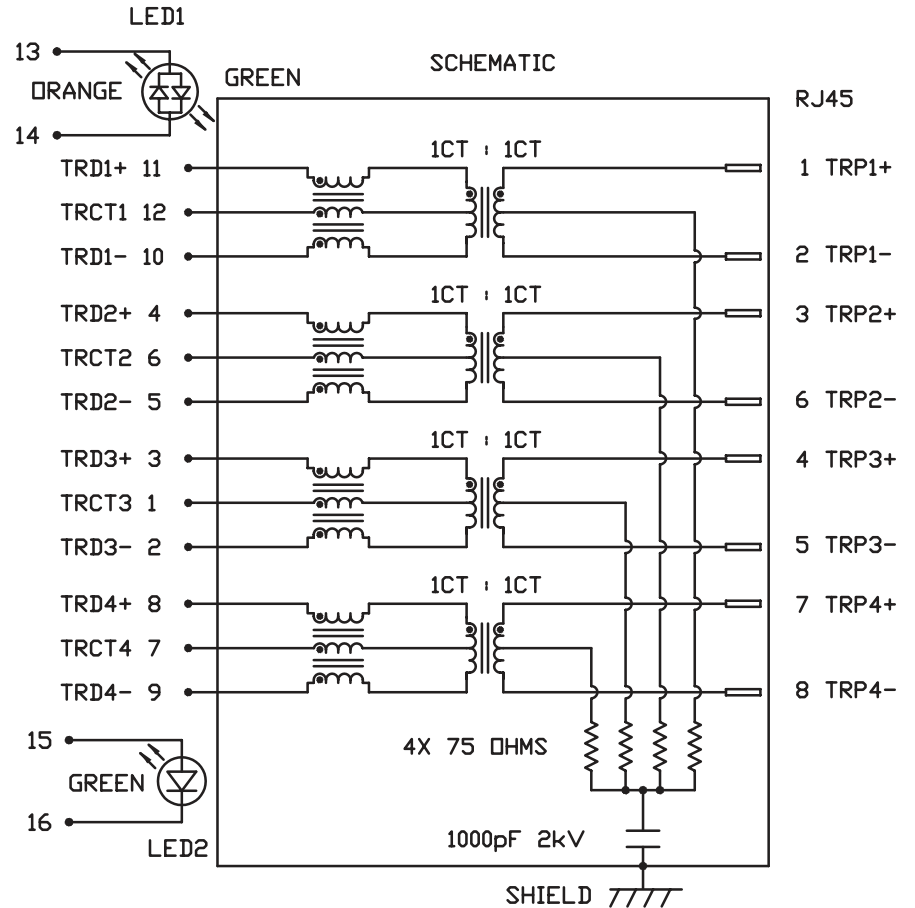
1500 Vrms or 2250VDC

**LED 1**

VF (FORWARD VOLTAGE)	IF=20mA	GREEN	2.2V TYP.
		ORANGE	2.0V TYP.
λD (DOMINANT WAVELENGTH)	IF=20mA	GREEN	565nm TYP.
		ORANGE	610nm TYP.

**LED 2**

VF (FORWARD VOLTAGE)	IF=20mA	GREEN	2.2V TYP.
λD (DOMINANT WAVELENGTH)	IF=20mA	GREEN	565nm TYP.

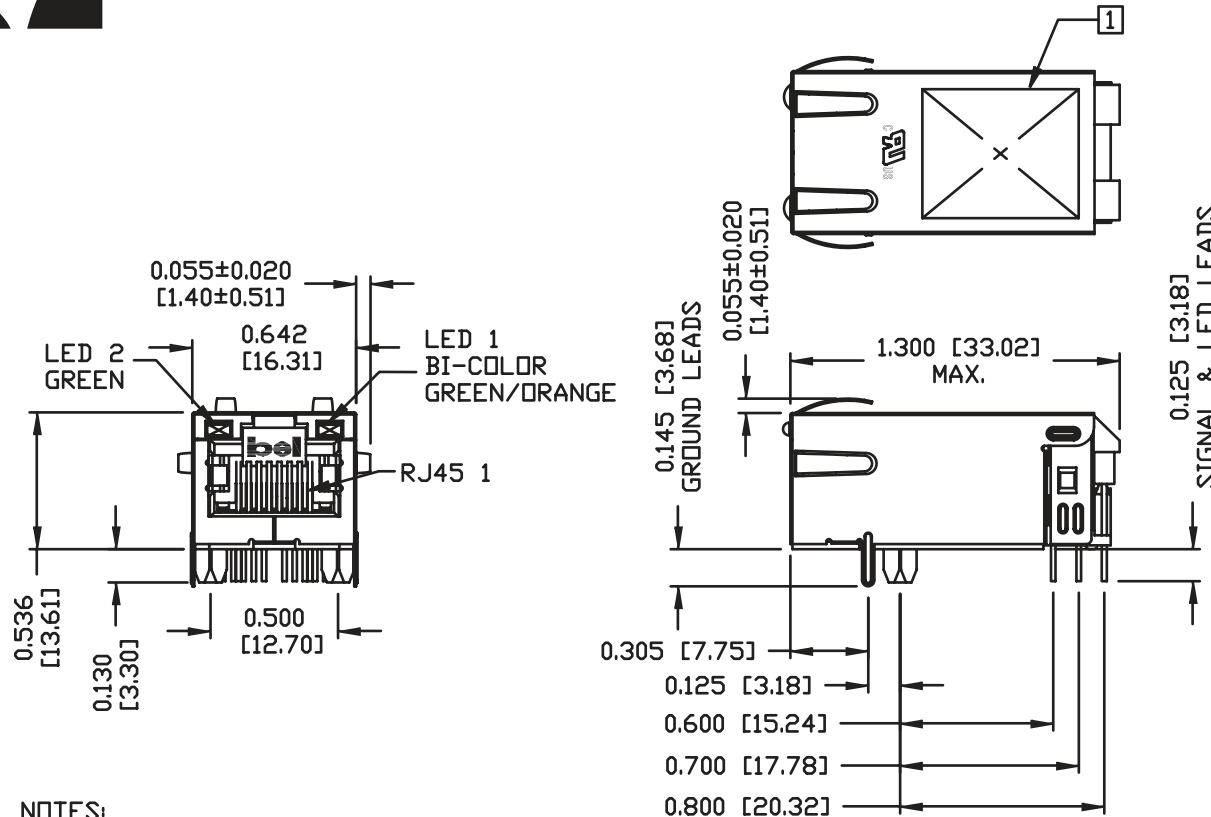


# INTEGRATED CONNECTOR MODULES

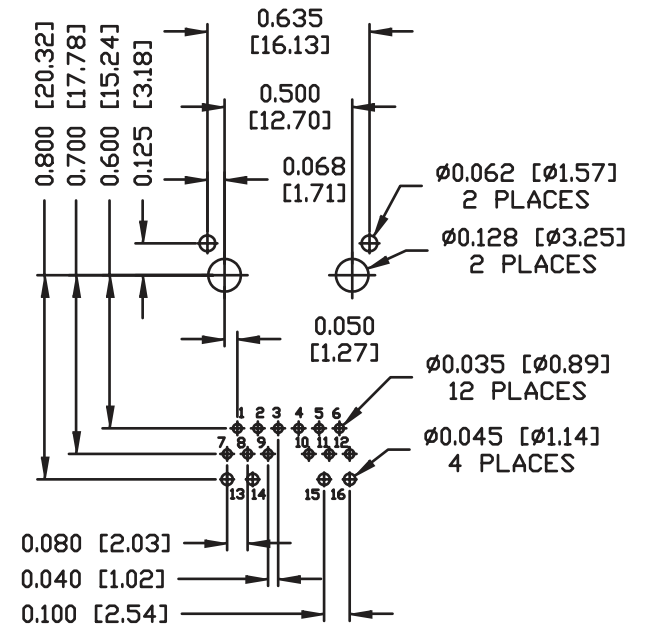
## 0826-1M1T-43-F Gigabit Ethernet Single Port MagJack® with LEDs



### MECHANICAL SPECIFICATION



### RECOMMENDED PCB FOOTPRINT COMPONENT SIDE VIEW



**NOTES:**

- PLASTIC HOUSING: THERMOPLASTIC PA 4/6  
FLAMMABILITY RATING UL 94V-0
- CONTACTS: 50 MICRO-INCH HARD GOLD PLATING
- OUTPUT PINS: TIN-COATED COPPER WIRE, DIA 0.018 INCH.
- METAL SHIELD: NICKEL PLATED ON COPPER ALLOY.  
(ALL GROUND LEADS ARE SOLDER DIPPED)

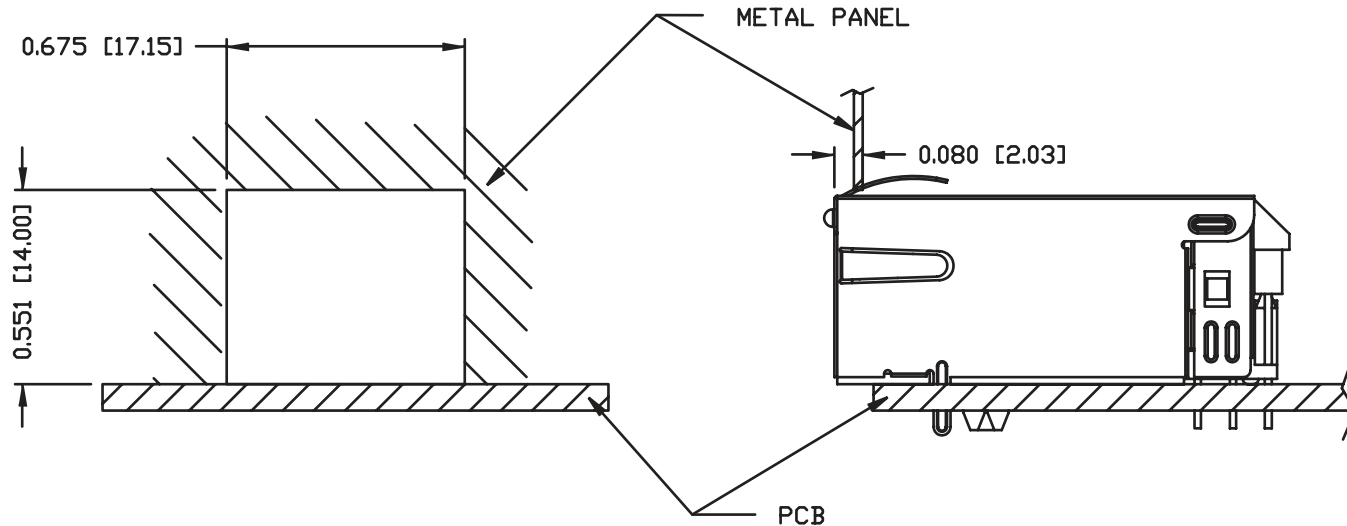
1. MARK PART WITH MFG LOGO, MFG NAME, PART NUMBER, AND DATE CODE.

2. RoHS COMPLIANCE, PER EU DIRECTIVE 2002/95/EC  
JACK CAVITY CONFORMS TO FCC RULES AND REGULATIONS.

**INTEGRATED CONNECTOR MODULES**  
**0826-1M1T-43-F Gigabit Ethernet Single Port MagJack® with LEDs**



SUGGESTED PANEL OPENING



**NOTE:**

THE DISTANCE OF PANEL INSIDE SURFACE RELATIVE TO FRONT SURFACE OF PART IS ONLY A SUGGESTION. IN CASE THIS DISTANCE IS DIFFERENT, THE REQUIRED PANEL OPENING DIMENSIONS CHANGE ACCORDINGLY.

**PACKING INFORMATION**

PACKING TRAY : 0200-9999-F6 (TOP)  
 0200-9999-F7 (BOTTOM)

PACKING QUANTITY : 40 PCS FINISHED GOODS PER TRAY  
 10 TRAYS (400 PCS FINISHED GOODS) PER CARTON BOX

NOTE : CARDBOARDS ARE PLACED BETWEEN LAYERS OF PACKING TRAY INSIDE CARTON BOX  
 (INCLUDE THE UPPERMOST AND LOWERMOST TRAY)