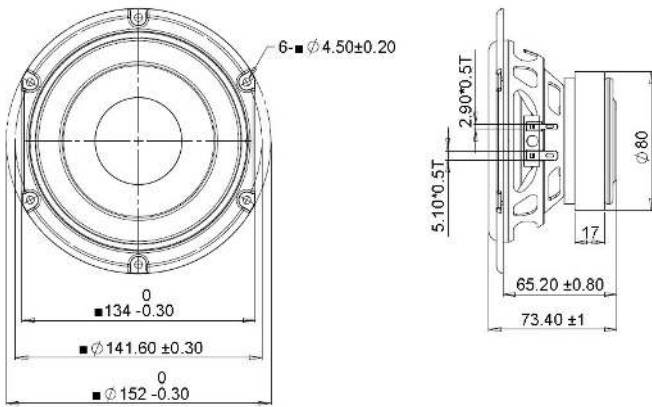


- Pressed Steel Basket
- Ferrite Magnet
- Paper Diaphragm
- NBR Rubber Surround
- Optimized for Sealed Enclosures

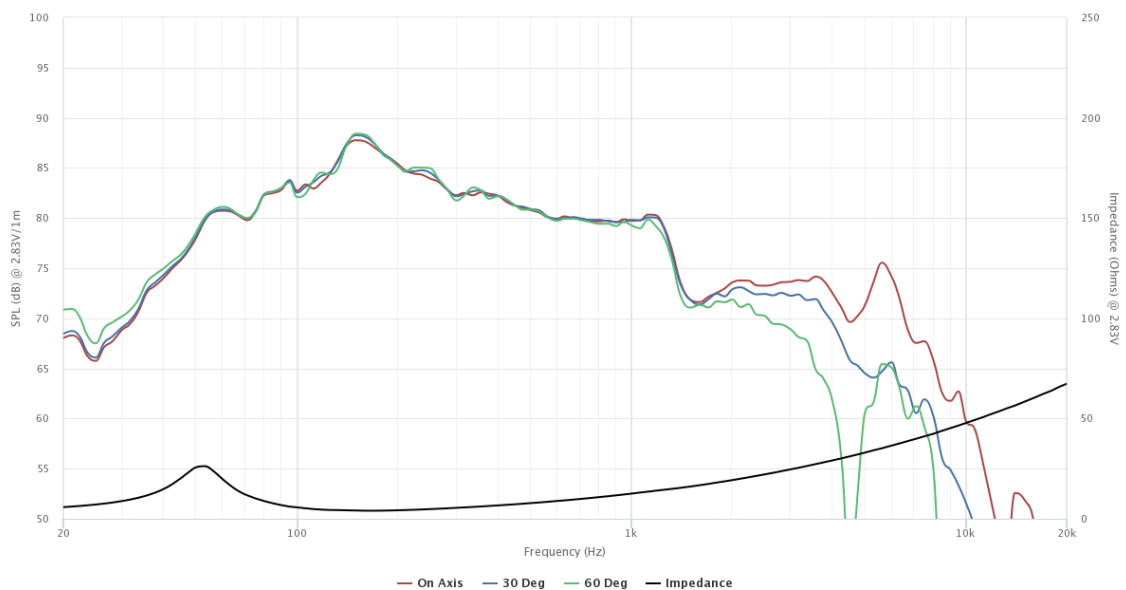


SPECIFICATIONS

Transducer Size	5.25	in
Impedance	4	Ω
Frequency Range ¹	50 - 1000	Hz
Sensitivity ² (2.83V 1W @ 1m)	87 84	dB
Power Rating (IEC 268-5)	50	W
Voice Coil Size	25.7	mm
Air Gap Winding Height	H_{ag} H_{vc}	6 16.4 mm
Net Weight	0.96	kg

PARAMETERS ³

Eff. Piston Area	S_d	86.6	cm ²
DC Resistance	R_e	3.1	Ω
Minimum Impedance	Z_{min}	4	Ω
Inductance	L_e	1.06	mH
Resonance Frequency ⁴	F_s	58	Hz
Mechanical Q Factor	Q_{ms}	3.68	-
Electrical Q Factor	Q_{es}	0.447	-
Total Q Factor	Q_{ts}	0.4	-
Moving Mass	M_{ms}	20.4	g
Compliance	C_{ms}	370	$\mu\text{m}/\text{N}$
Equivalent Volume	V_{as}	3.94	L
Motor Force Factor	Bl	7.2	Tm
Motor Efficiency	β	16.6	$(Bl)^2 / R_e$
Linear Excursion ⁵	X_{max}	7.2	mm
Max Mechanical Excursion ⁶	X_{mech}	-	mm



Details on this spec sheet are for reference only and should not be used for setting production limits. Specifications and product cosmetics are subject to change without notice. Peerless is a registered trademark of Tympany Enterprises. All measurements conducted in test lab at 25°C ±10°C, 50%RH ±10%. ¹ Specified by Engineering as linear working range of transducer. ² Measured at 2.83V at 1m and normalized to 1W with respect to nominal impedance. ³ Measured in Free Air without preconditioning, therefore subject to some deviation. ⁴ Impedance and F_s value measured under different conditions. ⁵ Equal/Overhung: $(H_{vc} - H_{ag})/2 + H_{ag}/3$. Underhung: $(H_{ag} - H_{vc})/2 + H_{vc}/3$. ⁶ Mechanically limited excursion (e.g. bottoming, spider crash).